

BNC SERIES RF CO-AXIAL CONNECTORS

Overview

The BNC series are most widely used as 50Ω coaxial connectors, and compact size, light weight, and quick mounting and dismounting (bayonet lock coupling). Suitable for coaxial cables (RG-55.58/U) with a finished outside diameter of $\phi 3-\phi 8$.

Applicable standards

Defense Agency (NDS XC 6103, DSP C 6202)

Japanese Industrial Standards (JIS C 5412)

NTT (Model 2095 3C connector)

*Meets MIL Specifications. (See Products Meeting MIL Specifications Index Table, pages 220-221.)

Electrical Specifications

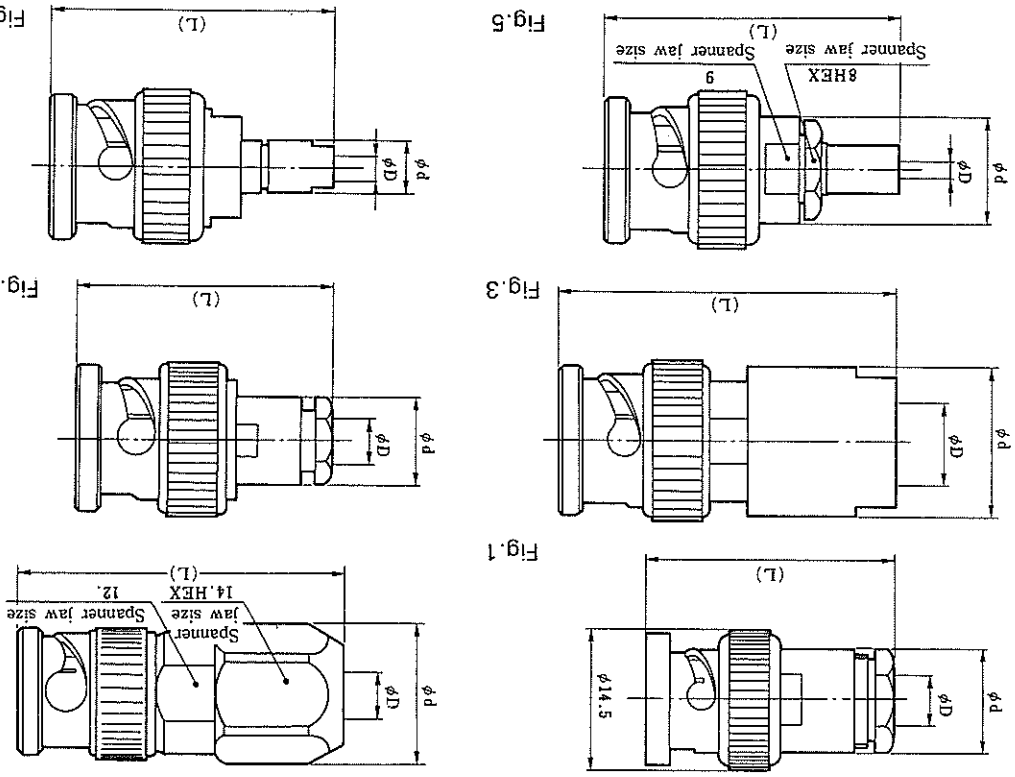
Item	Standard
Characteristic impedance	50Ω(*1)
Withstand voltage	1,500Vr.m.s. for 1min.
Insulation resistance	5,000MΩ or more at 500VDC
Contact resistance	3mΩ or less at 1ADC
Applicable frequency range	DC-4GHz
Voltage standing wave	1.2 or less(DC-2GHz)

(*1) Not different in electrical specifications from the 50Ω cable when connected to the 75Ω coaxial cable (3C-2V) for use at low frequencies (DC-200MHz).

Main Materials/Finish

Part	Material	Finish(*2)
Armor(shell)	Brass	Silver plated, Nickel-plated
Male terminal	Brass	Silver plated, Gold-plated
Female terminal	Beryllium copper	Silver plated, Gold-plated
Insulation	Tetraflouride resin	—
Gasket	Silicon rubber	—

(*2) Surface treatment differs according to the product number unit.
For details, see the BNC Connector List.



Applicable cable	Part No.	HRS No.	Dimension			Shape	
			φD	φd	L		
RG-55/U, 58/U	UG-88/U(40)	302-0001-0-40	5.4	11.1	26.5	Fig.1	
	UG-88D/U(40)	302-0070-3-40	5.6	12.7	28.8	Fig.1	
RG-59/U, 62/U	UG-260/U(40)	302-0002-3-40	6.6	11.1	26.0	Fig.1	
	3CA-P2(40)	302-0203-5-40	5.6	13.7	29.5	Fig.1	
RG-188A/U, 196A/U	BNC-P-188A/U(40)	302-0216-7-40	3.0	8.0	25.0	Fig.4	
	BNC-P-196/U(40)	302-0214-1-40	2.3	5.0	27.3	Fig.6	
	BNC-P-5DW-1(40)	302-0189-5-40	8.5	14.0	35.0	Fig.3	
	BNC-P-5DW-SA(40)	302-0217-0-40	8.7	15.0	33.7	Fig.2	
	BNC-P-5DV(40)	302-0132-9-40	7.8	15.0	31.0	Fig.1	
	BNC-P-5DV-SA(40)	302-0218-2-40	8.0	15.0	33.7	Fig.2	
	3CZ-P(40)	302-0215-4-40	6.5	13.7	29.5	Fig.1	
	3CT-P(40)	302-0210-0-40	8.0	14.2	29.7	Fig.1	
	3CT-F-1(40)	302-0208-9-40	8.4	14.0	30.0	Fig.3	
	3CT-F3(40)	302-0270-2-40	8.4	14.0	30.0	Fig.3	
	3C-2W	3DW-P(40)	302-0209-1-40	7.1	14.2	29.7	Fig.1
	3D-2V, 3C-2V	BNC-P-3DV-SA(40)	302-0219-5-40	6.3	15.0	33.7	Fig.2
3CV-P2(40)		302-0202-2-40	6.3	13.7	29.5	Fig.1	
3C-2V	BNC-P-3(40)	302-0030-9-40	6.4	11.1	26.5	Fig.1	
	3CV-P3(40)	302-0269-3-40	6.8	14.0	30.0	Fig.3	
1.5D-2W, 1.5C-2W	BNC-P-1.5WCR(40)	302-0295-3-40	1.8	10.0	28.1	Fig.5	
	BNC-P-1.5W(40)	302-0299-4-40	3.9	8.0	25.0	Fig.4	
1.5D-2V, 1.5C-2V	BNC-P-1.5CR(40)	302-0294-0-40	1.8	10.0	28.1	Fig.5	
	BNC-P-1.5(40)	302-0257-4-40	3.5	8.0	25.0	Fig.4	

Plug

BNC SERIES RF CO-AXIAL CONNECTORS

BNC SERIES RF CO-AXIAL CONNECTORS

L-shaped Plug

Applicable cable	Part No.	HRS No.	Dimension			Shape
			ϕ D	ϕ d	W2	
BG-55/U, 58/U	UG-913/U(42)	302-0043-0-42	5.4	12.7	11.1	Fig.7
RG-59/U, 62/U	BNC-LP-59/U(40)	302-0075-7-40	6.6	12.7	11.1	Fig.7
3C-2W	3CW-PL(40)	302-0158-2-40	7.1	14.2	13.0	Fig.8
3C-2V	3CV-PL(40)	302-0157-0-40	6.3	13.7	12.0	Fig.8

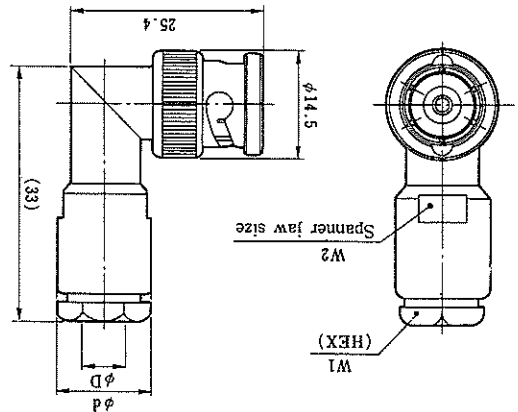


Fig. 7

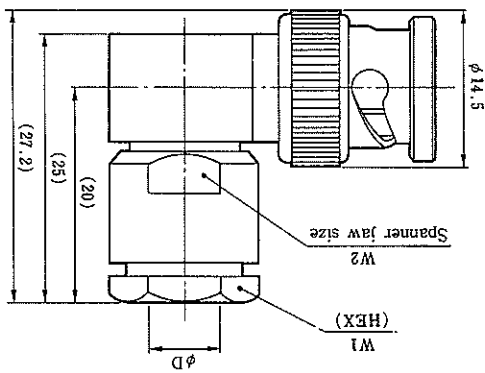


Fig. 8

Applicable cable	Part No.	HRS No.	Dimension			Shape
			ϕ D	ϕ d	W2	
RG-55/U, 58/U	UG-89/U(40)	302-0034-0-40	5.4	11.1	9.5	Fig.9
RG-59/U, 62/U	UG-261/U(40)	302-0035-2-40	6.6	11.1	9.5	Fig.9
3C-2V	3CV-J(40)	302-0006-4-40	6.3	11.1	9.5	Fig.9
1.5D-2W, 1.5C-2W	BNC-J-1.5W/CR(40)	302-0297-9-40	1.8	—	8.0	Fig.10
1.5D-2V, 1.5C-2V	BNC-J-1.5CR(40)	302-0296-6-40	1.8	—	8.0	Fig.10

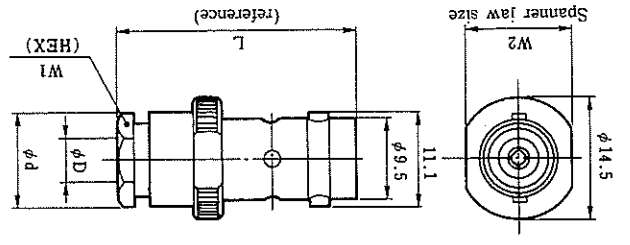


Fig. 9

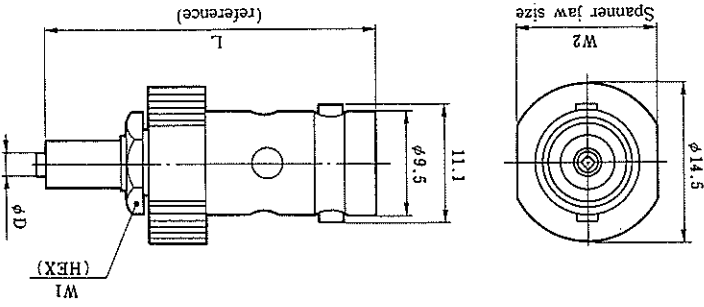


Fig. 10

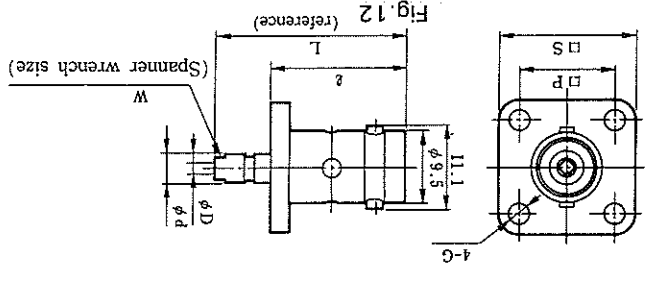
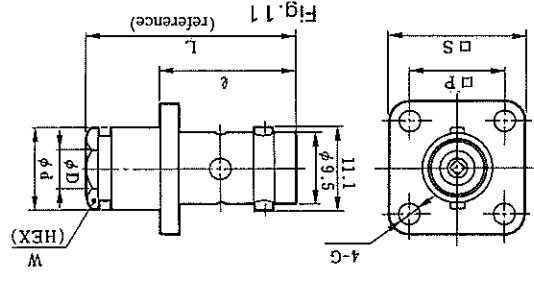
Jack

Panel Jack

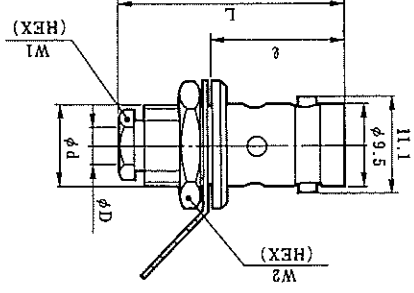
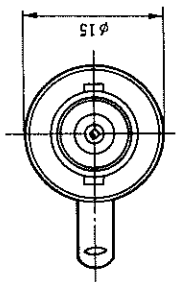
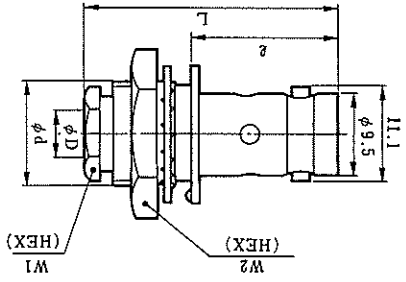
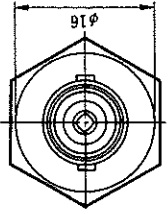
BNC SERIES **RF CO-AXIAL CONNECTORS**

The product information in this catalog is for reference only. Please request the Engineering Drawing for the most current and accurate design information.

Applicable cable	Part No.	HRS No.	Dimension						Shape	Mounting hole dimensions		
			φD	φd	L	ℓ	□P	□S				
RG-55/U, 58/U	UG-291/U(40)	302-0036-5-40	5.4	11.1	28.2	18.1	12.7	17.5	M2.6 ×0.45	φ3	Fig.11	1-1
	3CA-PJ2(40)	302-0205-0-40	5.4	11.1	28.7	18.1	12.7	17.5	φ3	Fig.11	1-2	
	UG262/U(40)	302-0007-7-40	6.6	11.1	28.4	18.1	12.7	17.5	M2.6 ×0.45	φ3	Fig.11	1-1
	BNC-PJ-188/U(40)	302-0230-8-40	3.0	9.0	26.8	18.1	12.7	17.5	M2.6 ×0.45	φ3	Fig.11	1-3
RG-196A/U	BNC-PJ-196/U(40)	302-0194-6-40	2.3	5.0	28.0	18.1	12.7	17.5	M2.6 ×0.45	φ3	Fig.11	1-4
3C-2W	3CW-PJ(40)	302-0139-8-40	7.2	14.0	31.4	18.1	12.7	17.5	φ3	Fig.11	1-6	
2.5D-2V	BNC-PJ-1.5DV(40)	302-0238-0-40	4.7	11.1	28.7	18.1	12.7	17.5	φ3	Fig.11	1-2	
1.5D-2W	BNC-PJ-1.5(40)	302-0228-6-40	4.5	9.5	26.8	18.1	12.7	17.5	M2.6 ×0.45	φ3	Fig.11	1-7
	BNC-PJ-1.5W-1(40)	302-0260-9-40	4.5	9.5	26.8	20.1	12.7	17.5	φ3	Fig.11	1-8	
	BNC-PJ-1.5W-2(40)	302-0282-1-40	4.5	9.5	26.8	20.1	12.7	17.5	M2.6 ×0.45	φ3	Fig.11	1-9
1.5D-2V	BNC-PJ-1.5DV-1(40)	302-0285-0-40	3.4	9.5	26.8	18.1	12.7	17.5	φ3	Fig.11	1-8	



Applicable cable	Part No.	HRS No.	φD	φd	L	Dimension			Shape	Mounting hole dimensions
						ℓ	W1	W2		
RG-55/U, 58/U	BNC-PJ-58(40)	302-0108-4-40	5.4	1/2-28NEF-2A	28.5	16.9	9.5	17.0	Fig.13	4-1
	BNC-BPJ-1.5W(40)	302-0284-7-40	4.5	3/8-32NEF-2A	26.8	12.8	7.0	11.0	Fig.15	3-3
1.5D-2W	BNC-BPJ-1.5W-1(40)	302-0289-0-40	4.5	3/8-32NEF-2A	26.8	15.2	7.0	12.7	Fig.14	2-1
	BNC-BPJ-1.5-1(40)	302-0252-0-40	3.5	3/8-32NEF-2A	26.8	15.2	7.0	12.7	Fig.14	2-1



BNC SERIES RF CO-AXIAL CONNECTORS

L-shaped Jack

Applicable cable	Part No.	HRS No.	Dimension						Mounting hole dimensions	
			ϕD	ϕd	L	$\ell 1$	$\ell 2$	W1		W2
1.5D-2V	BNC-LPJ-1.5(40)	302-0255-9-40	3.5	3/8-32NEF-2A	33.3	21.7	14.0	7.0	12.7	2-1

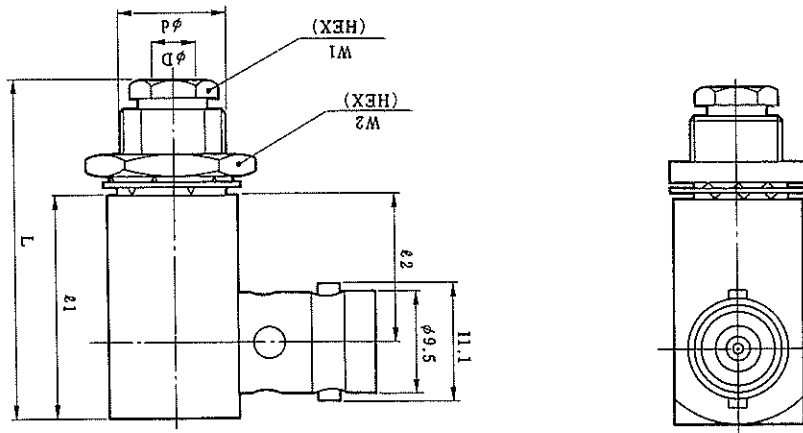


Fig. 16

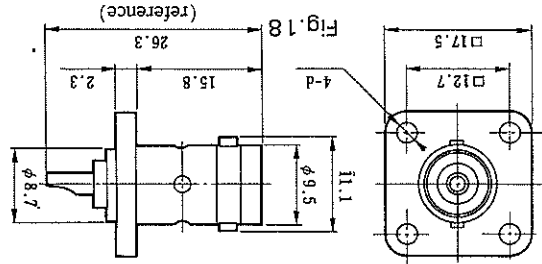
Receptacles

BNC SERIES RF CO-AXIAL CONNECTORS

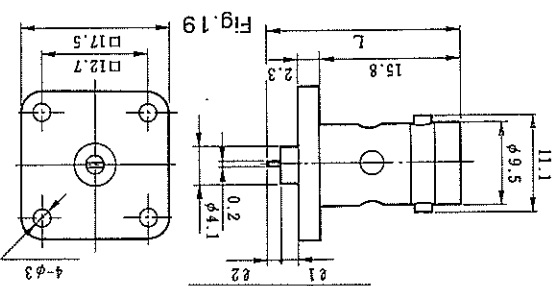
The product information in this catalog is for reference only. Please request the Engineering Drawing for the most current and accurate design information.

Part No.	HRS No.	d	Mounting hole dimensions
UG-290/U(40)	302-0009-2-40	M2.6X0.45	1-10
3C-R(40)	302-0031-1-40	φ 3	1-11

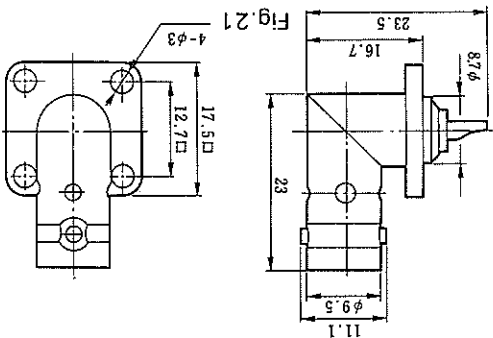
Part No.	HRS No.	Remarks	Mounting hole dimensions
BNC-R-14(40)	302-0245-5-40	Round half cut terminal	1-12



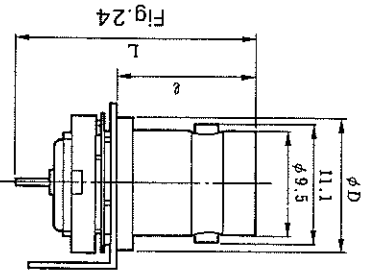
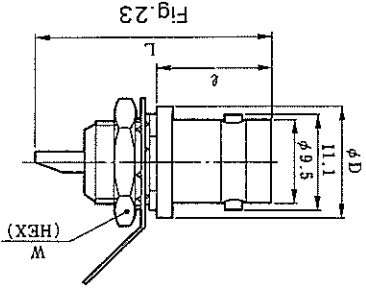
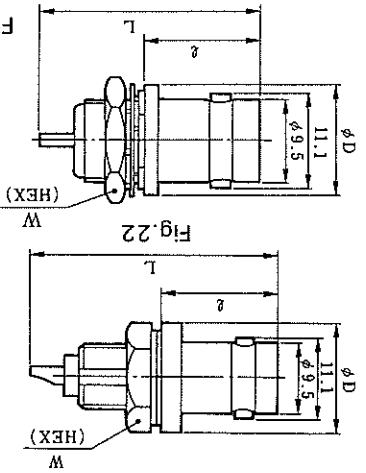
Part No.	HRS No.	Remarks	Mounting hole dimensions
BNC-R-12(40)	302-0229-9-40	Tab terminal	1-12
BNC-R-13(40)	302-0239-2-40	Tab terminal	1-12



Part No.	HRS No.	Remarks	Mounting hole dimensions
BNC-LR(40)	302-0020-5-40		1-11



Part No.	HRS No.	Shape	Panel mount Type	W	L	φ D	Mounting hole dimensions
UG-604/U(40)	302-0016-8-40	φ D	L	26.3	13.7	12.7	Fig.25 3-1
UG-625/U(40)	302-0017-0-40	φ D	L	26.3	12.7	12.7	Fig.25 2-3
UG-625/U-4(40)	302-0221-7-40	φ D	L	26.3	12.7	12.7	Fig.23 2-3
UG-625/U-10(40)	302-0253-3-40	φ D	L	21.9	12.7	12.7	Fig.24 3-2
UG-625/U-11A(40)	302-0274-3-40	φ D	L	24.2	12.7	12.7	Fig.25 2-4
UG-657/U(40)	302-0012-7-40	φ D	L	32.6	15.2	12.7	Fig.25 3-3
UG-657/U-E(40)	302-0080-7-40	φ D	L	32.6	15.2	12.7	Fig.23 3-3
UG-1094/U(40)	302-0178-0-40	φ D	L	27.0	11.9	12.7	Fig.25 2-4



BNC SERIES RF CO-AXIAL CONNECTORS

Plug receptacles

Part No.	HRS No.	Mounting hole dimensions
BNC-BPR-3(40)	302-0249-6-40	2-1

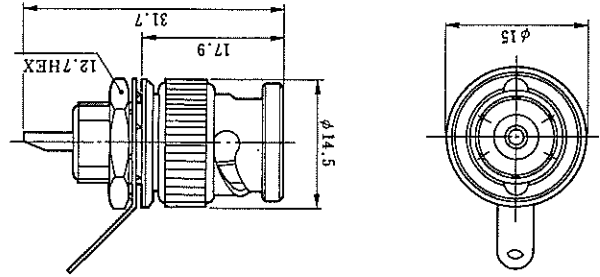


Fig.30

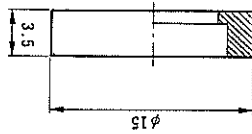
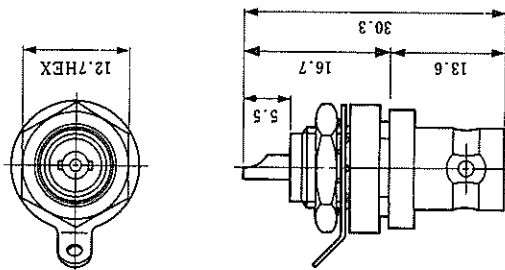


Fig.29

Washer mounted on BNC-FBR(01), shown in Fig.28, to connect the panel to the connector external conductor.

Fig.27 Outside-insulating connector



Part No.	HRS No.	Shape	Mounting hole dimensions
BNC-FBR(41)	302-0268-0-41	Fig.27	2.3
BNC-FBR-W(40)	302-0279-7-40	Fig.29	—

BNC SERIES RF CO-AXIAL CONNECTORS

Printed-circuit-board mounting type

Part No.	HRS No.	Shape	L	ℓ1	ℓ2	Mounting hole dimensions
BNC-R-PC(40)	302-0241-4-40	Fig.31	23.1	18.1	5.0	6-1
BNC-R-PC-2(40)	302-0243-0-40	Fig.32	20.4	17.1	3.3	7-2
BNC-R-PC-7(40)	302-0280-6-40	Fig.31	23.1	20.64	2.46	6-1

Part No.	HRS No.	Shape	Mounting hole dimensions
BNC-LR-PC(40)	302-0242-7-40	Fig.33	6-1
BNC-LR-PC-1(40)	302-0262-4-40	Fig.34	7-1
BNC-LR-PC-3(40)	302-0276-9-40	Fig.35	6-1

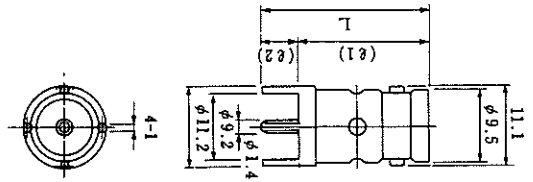


Fig. 31

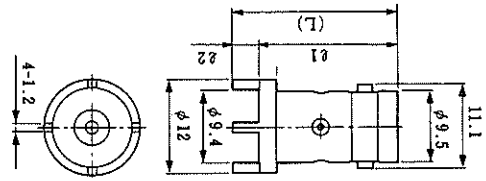


Fig. 32

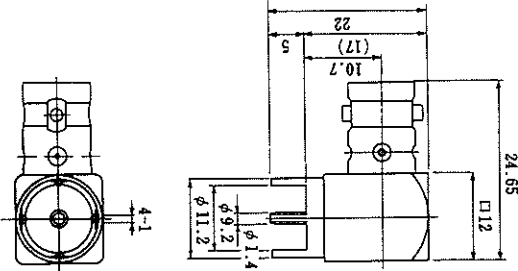


Fig. 33

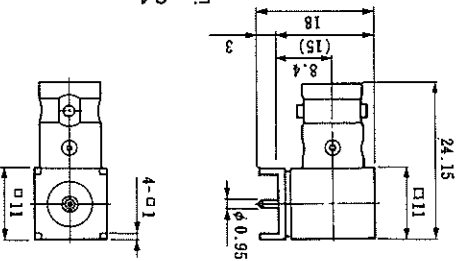


Fig. 34

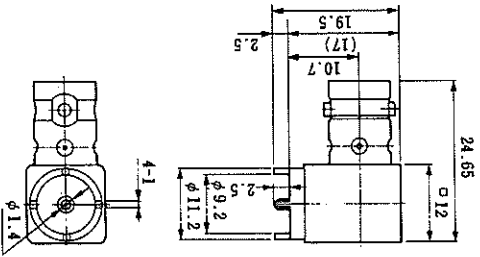


Fig. 35

Lug terminal

Part No.	HRS No.	Remarks
BNC-EL	302-0079-8	Earth Lug

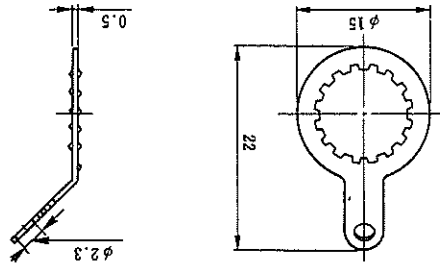
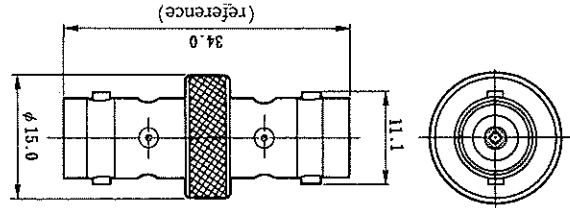
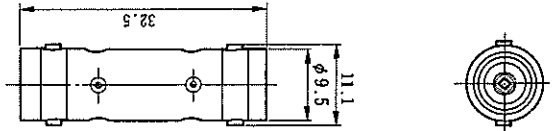


Fig. 36

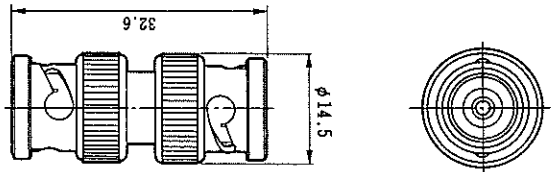
BNC SERIES RF CO-AXIAL CONNECTORS

Adapters

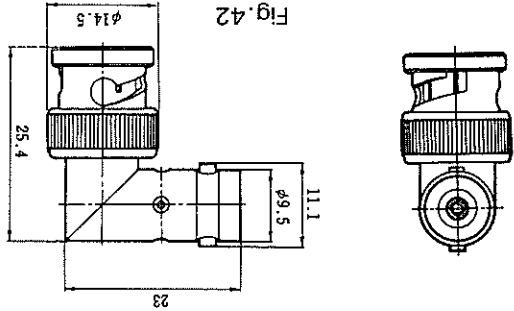
Part No.	HRS No.	Shape
BNC-A-JJ(40)	302-0039-3-40	Fig.37
BNC-A-JJ-1(40)	302-0050-6-40	Fig.38



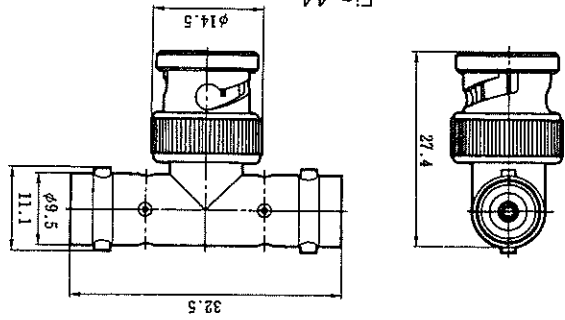
Part No.	HRS No.	Remarks
UG-491U(40)	302-0022-0-40	A-PP



Part No.	HRS No.	Remarks
UG-306U(40)	302-0023-3-40	LA-PJ



Part No.	HRS No.	Remarks
UG-274U(40)	302-0025-9-40	TA-JPJ



Part No.	HRS No.	L	ℓ	d	Shape
BNC-PA-JJ(40)	302-0052-1-40	34	15.85	φ3	Fig.39
UG-414U(40)	302-0040-2-40	32.54	17.6	M2.6X0.45	Fig.39

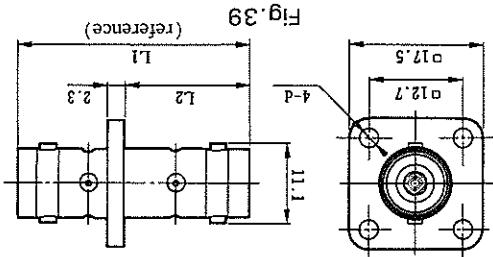
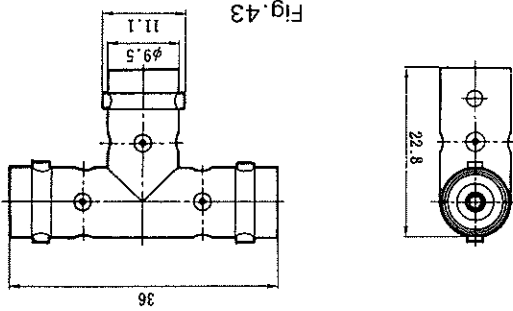


Fig. 38

Fig. 37

Fig. 40

Part No.	HRS No.	Remarks
BNC-TA-JJJ(40)	302-0024-6-40	



Part No.	HRS No.	L	Remarks
BNC-UPA(40)	302-0167-3-40	35	U Link

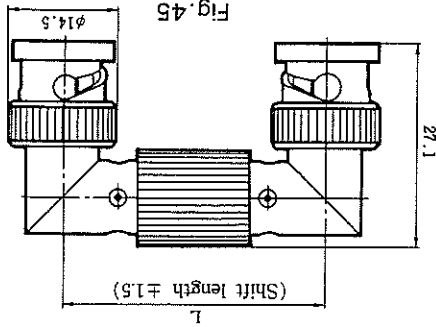


Fig. 45

Fig. 44

BNC SERIES RF CO-AXIAL CONNECTORS

The product information in this catalog is for reference only. Please request the Engineering Drawing for the most current and accurate design information.

Cap

Short plug

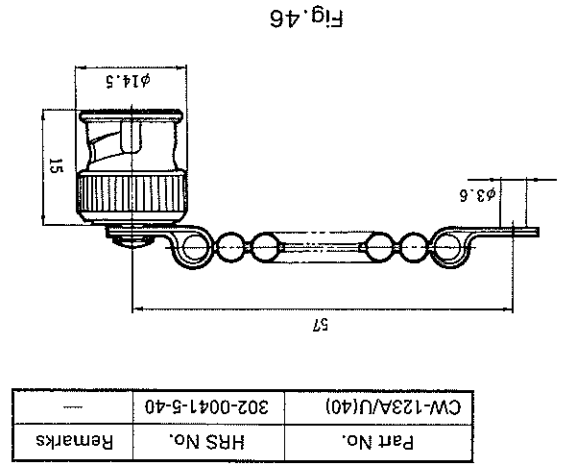


Fig. 46

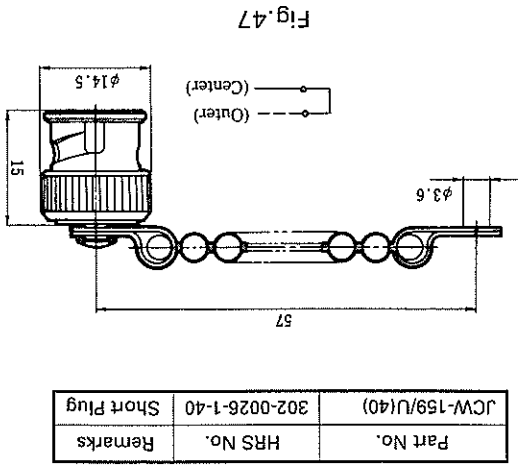


Fig. 47

BNC SERIES RF CO-AXIAL CONNECTORS

Model BNC Connector List

Type	Part No.	HRS No.	Applicable cable	Surface treatment				Remarks
				Armor		Center contact		
				Silver	Nickel	Silver	Gold	
Straight plug	UG-88/U(40)	302-0001-0-40	RG-55/U, 58/U	○		○		
	UG-88D/U(40)	302-0070-3-40		○		○		
	3CA-P2(40)	302-0203-5-40		○		○		
	UG-260/U(40)	302-0002-3-40	RG-59/U, 62/U	○		○		
	BNC-P-188A/U(40)	302-0216-7-40	RG-188A/U	○		○		
	BNC-P-196/U(40)	302-0214-1-40	RG-196A/U	○			○	
	BNC-P-5DV-SA(40)	302-0218-2-40	5D-2V, 5C-2V	○		○		
	BNC-P-5DW-1(40)	302-0189-6-40	5D-2W	○		○		
	BNC-P-5DW-SA(40)	302-0217-0-40	5D-2W, 5C-2W	○		○		
	BNC-P-3(40)	302-0030-9-40	3C-2V	○		○		
	BNC-P-3DV-SA(40)	302-0219-5-40	3D-2V, 3C-2V	○		○		
	3CV-P2(40)	302-0202-2-40	3C-2V	○		○		
	3CV-P3(40)	302-0269-3-40		○		○		
	BNC-P-1.5WCR(40)	302-0295-3-40	1.5D-2W, 1.5C-2W		○	○		
	BNC-P-1.5(40)	302-0257-4-40	1.5D-2V		○	○		
	BNC-P-1.5W(40)	302-0299-4-40	1.5D-2W		○	○		
	BNC-P-1.5CR(40)	302-0294-0-40	1.5D-2V, 1.5C-2V		○	○		
	3CZ-P(40)	302-0215-4-40	3C-2Z	○		○		
	3CT-P(40)	302-0210-0-40	3C-2T	○		○		
	3CT-P-1(40)	302-0208-9-40		○		○		
3CT-P3(40)	302-0270-2-40	○			○			
3CW-P(40)	302-0209-1-40	3C-2W		○		○		

BNC SERIES RF CO-AXIAL CONNECTORS

Type	Part No.	HRS No.	Applicable cable	Surface treatment				Remarks
				Armor		Center contact		
				Silver	Nickel	Silver	Gold	
L-shaped plug	UG-913/U(42)	302-0043-0-42	RG-55/U, 58/U	○		○		
	BNC-LP-59/U(40)	302-0075-7-40	RG-59/U, 62/U	○		○		
	3CV-PL(40)	302-0157-0-40	3C-2V	○		○		
	3CW-PL(40)	302-0158-2-40	3C-2W	○		○		
Jack	UG-89/U(40)	302-0034-0-40	RG-55/U, 58/U	○		○		
	UG-261/U(40)	302-0035-2-40	RG59/U, 62/U	○		○		
	3CV-J(40)	302-0006-4-40	3C-2V	○		○		
	BNC-J-1.5WCR(40)	302-0297-9-40	1.5D-2W, 1.5C-2W		○	○		
	BNC-J-1.5CR(40)	302-0296-6-40	1.5D-2V, 1.5C-2V		○	○		
Panel Jack	UG-291/U(40)	302-0036-5-40	RG-55/U, 58/U	○		○		
	3CA-PJ2(40)	302-0205-0-40	RG-58/U, 58/U	○		○		
	UG-262/U(40)	302-0007-7-40	RG-59/U, 62/U	○		○		
	BNC-PJ-58(40)	302-0108-4-40	RG-55/U, 58/U	○		○		
	BNC-PJ-188/U(40)	302-0230-8-40	RG-188A/U		○	○		
	BNC-PJ-196/U(40)	302-0194-6-40	RG-196A/U	○			○	
	3CW-PJ(40)	302-0139-8-40	3C-2W	○		○		
	BNC-PJ-2.5DV(40)	302-0238-0-40	2.5D-2V	○		○		
	BNC-PJ-1.5(40)	302-0228-6-40	1.5D-2W		○	○		
	BNC-PJ-1.5W-1(40)	302-0260-9-40			○	○		
	BNC-PJ-1.5W-2(40)	302-0282-1-40			○	○		
	BNC-BPJ-1.5W(40)	302-0284-7-40			○	○		
	BNC-BPJ-1.5W-1(40)	302-0289-0-40			○	○		
	BNC-BPJ-1.5DW(40)	302-0400-6-40			○		○	
					○		○	

BNC SERIES RF CO-AXIAL CONNECTORS

Type	Part No.	HRS No.	Applicable cable	Surface treatment				Remarks	
				Armor		Center contact			
				Silver	Nickel	Silver	Gold		
Panel jack	BNC-PJ-1.5DV-1(40)	302-0285-0-40	1.5D-2V		○	○			
	BNC-BPJ-1.5-1(40)	302-0252-0-40			○		○		
	BNC-BPJ-1.5DV(40)	302-0393-2-40			○				
	3CV-PJ2(40)	302-0204-8-40	3C-2V	○		○			
L-shaped Panel jack	BNC-LPJ-1.5(40)	302-0255-9-40	1.5D-2V		○	○			
Receptacle	Flange type	U-290/U(40)	302-0009-2-40	4-M2.6X0.45	○		○		
		3C-R(40)	302-0031-1-40	4-φ3	○		○		
		BNC-R-12(40)	302-0229-9-40			○		○	
		BNC-R-13(40)	302-0239-2-40			○		○	
		BNC-R-14(40)	302-0245-5-40			○	○		
	Bulk head type	UG-604/U(40)	302-0016-8-40		○		○		
		UG-625/U(40)	302-0017-0-40		○		○		
		UG-625/U-4(40)	302-0221-7-40			○	○		
		UG-625/U-10(40)	302-0253-3-40	Folk terminal		○	○		
		UG-625/U-11A(40)	302-0274-3-40			○	○		
		UG-657/U(40)	302-0012-7-40	drip-proof type	○		○		
		UG-657/U-E(40)	302-0080-7-40	drip-proof type	○		○		

BNC SERIES RF CO-AXIAL CONNECTORS

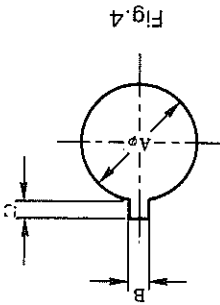
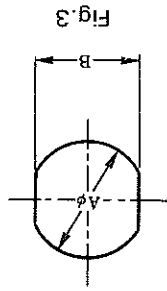
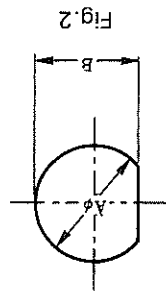
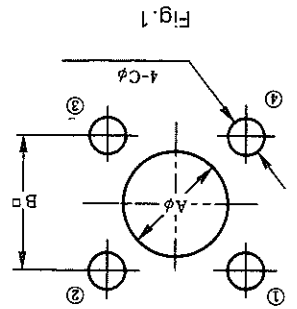
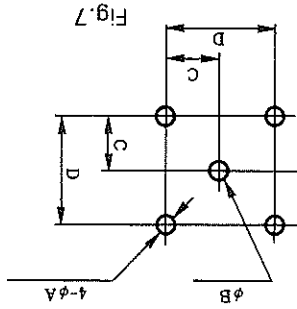
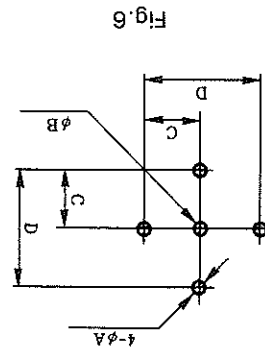
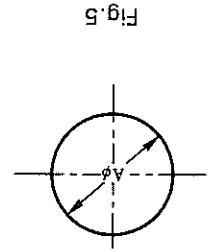
Type	Part No.	HRS No.	Applicable cable	Surface treatment				Remarks
				Armor		Center contact		
				Silver	Nickel	Silver	Gold	
Receptacle	Bulk head type	UG-1094/U(40)	302-0178-0-40		○		○	
		BNC-FBR(41)	302-0268-0-41	Insulation type PPO		○	○	
		BNC-FBR-W(40)	302-0279-7-40	Metal washer for BNC-FBR		○		
	L-shaped type	BNC-LR(40)	302-0020-5-40		○		○	
		Plug type	BNC-BPR-3(40)	302-0249-6-40			○	○
	Straight type for PCB		BNC-R-PC(40)	302-0241-4-40			○	○
		BNC-R-PC-2(40)	302-0243-0-40			○	○	
		BNC-R-PC-7(40)	302-0280-6-40			○	○	
	L-shaped type for PCB	BNC-LR-PC(40)	302-0242-7-40			○	○	
		BNC-LR-PC-1(40)	302-0262-4-40			○	○	
		BNC-LR-PC-3(40)	302-0276-9-40			○	○	
	Ground lug plate	BNC-EL	302-0079-8		○			

BNC SERIES RF CO-AXIAL CONNECTORS

Type	Part No.	HRS No.	Applicable cable	Surface treatment				Remarks
				Armor		Center contact		
				Silver	Nickel	Silver	Gold	
Adaoter	BNC-A-JJ(40)	302-0039-3-40		○		○		
	BNC-A-JJ-1(40)	302-0050-6-40		○		○		
	BNC-PA-JJ(40)	302-0052-1-40		○		○		
	UG-414/U(40)	302-0040-2-40	PA-JJ type	○		○		
	UG-491/U(40)	302-0022-0-40	A-PP type	○		○		
L-shaped adapter	UG-306/U(40)	302-0023-3-40	LA-PJ type	○		○		
T-shaped adapter	BNC-TA-JJJ(40)	302-0024-6-40		○		○		
	UG-274/U(40)	302-0025-9-40	(TA-JP type)	○		○		
U ring	BNC-UPA(40)	302-0167-3-40	35-mm movable	○		○		
Cap	CW-123A/U(40)	302-0041-5-40	For jack	○		○		
Plug shot	JCW-159/U(40)	302-0026-1-40		○		○		

Fig.	No.	A	B	C	D
1	1-1	11.4	12.7	3	—
	1-2	11.4	12.7	3.2	—
	1-3	9.8	12.7	3	—
	1-4	5.3	12.7	3	—
	1-5	12.3	12.7	3.2	—
	1-6	14.3	12.7	3.2	—
	1-7	9.8	12.7	3	—
	1-8	9.8	12.7	3.2	—
	1-9	9.8	12.7	①-③ ②-④ 3 3.2	—
	1-10	9	12.7	3	—
	1-11	9	12.7	3.2	—
	1-12	4.3	12.7	3.2	—
	1-13	15	18.2	3.4	—
	1-14	7	12.7	3	—

Fig.	No.	A	B	C	D	
2	2-1	9.6 ^{+0.1}	9 ^{+0.1}	—	—	
	2-2	9.6 ^{+0.1}	8.5 ^{+0.1}	—	—	
	2-3	11.3 ^{+0.1}	10.3 ^{+0.1}	—	—	
	2-4	9.6 ^{+0.1}	8.8 ^{+0.1}	—	—	
	2-5	12.1 ^{+0.1}	11.1 ^{+0.1}	—	—	
	3	3-1	9.6 ^{+0.1}	8.1 ^{+0.1}	—	—
		3-2	9.6 ^{+0.1}	8.3 ^{+0.1}	—	—
		3-3	9.6 ^{+0.1}	8.6 ^{+0.1}	—	—
	4	4-1	12.7 ^{+0.1}	1.3 ^{+0.1}	1.8 ^{+0.1}	—
		5-1	12.7 ^{+0.1}	—	—	—
		6-1	1.6 ^{+0.1}	1.6 ^{+0.1}	5.08 ^{±0.05}	10.16 ^{±0.05}
7	7-1	1.8 ^{+0.1}	1.8 ^{+0.1}	5.08 ^{±0.05}	10.16 ^{±0.05}	
	7-2	1.4 ^{+0.1}	1.4 ^{+0.1}	3.81 ^{±0.05}	7.62 ^{±0.05}	

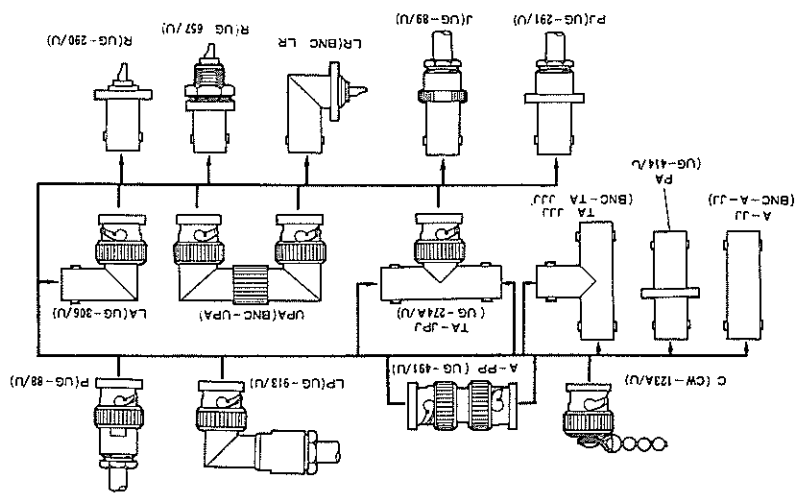


BNC SERIES RF CO-AXIAL CONNECTORS

BNC SERIES RF CO-AXIAL CONNECTORS

Functional drawing

Typical part numbers are enclosed in parentheses



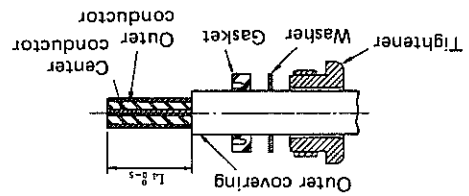
HRS No.	Part No.	L ₁ ±0.1	L ₂ ±0.1	L ₃
CL302-0001-0-40	UG-88/U(40)	7.5	3	2.9
CL302-0002-3-40	UG-260/U(40)	7.6	3	2.9
CL302-0006-4-40	3CV-J(40)	7.4	3	3.2
CL302-0007-7-40	UG-262/U(40)	7.3	3	2.9
CL302-0034-0-40	UG-89/U(40)	7.5	3	2.9
CL302-0035-2-40	UG-261/U(40)	7.3	3	2.9
CL302-0036-5-40	UG-291/U(40)	7.5	3	2.9
CL302-0043-0-42	UG-913/U(42)	7.4	3	2.4
CL302-0070-3-40	UG-88D/U(40)	7.6	3	2.7
CL302-0129-4-40	3DW-P2(40)	10	3	5
CL302-0132-9-40	BNC-F-5DV(40)	11.4	2.5	5
CL302-0157-0-40	3CV-P1(40)	10	3	5
CL302-0202-2-40	3CV-P2(40)	9.6	3	5.3
CL302-0203-5-40	3CA-P2(40)	9.6	3	5
CL302-0204-8-40	3CV-P12(40)	7	3	2.8
CL302-0205-0-40	3CA-P12(40)	7	3	2.8
CL302-0209-1-40	3CW-P(40)	10.4	3	5
CL302-0210-0-40	3CT-P(40)	10.9	3	5

Table 1. End processing dimensions arranged by part number

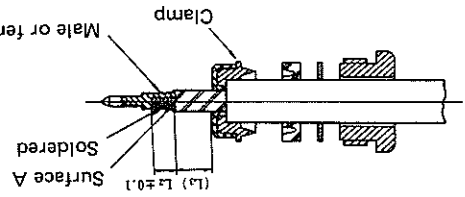
(Unit: mm)

Connecting methods

1. For the end processing dimensions L₁, refer to Table 1. The ends are processed as shown in the drawing (refer to Table 1, End processing dimensions arranged by part number.



- (1) Insert clamp from tip of cable and fold outer conductor of cable back onto clamp. Using a knife, cut off excess outer conductor left at this time.
- (2) Cut off center conductor of cable at L₂, from surface A of cable insulation. For end processing dimensions L₂, L₃, refer to Table 1. End processing dimensions arranged by part (L₃ is a reference dimension.)
- (3) Solder contact and center conductor. It is a good idea at this time to solder the terminal preliminarily in advance. (Note: There must be no gap between the end and the cable insulation.)

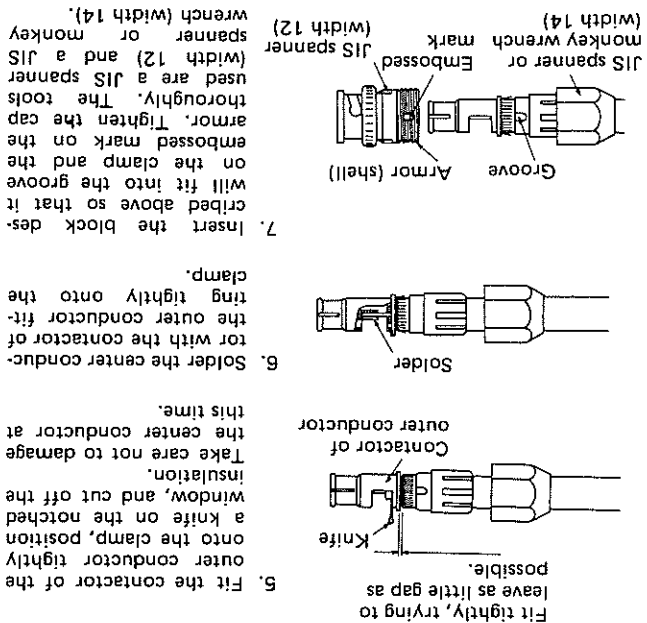
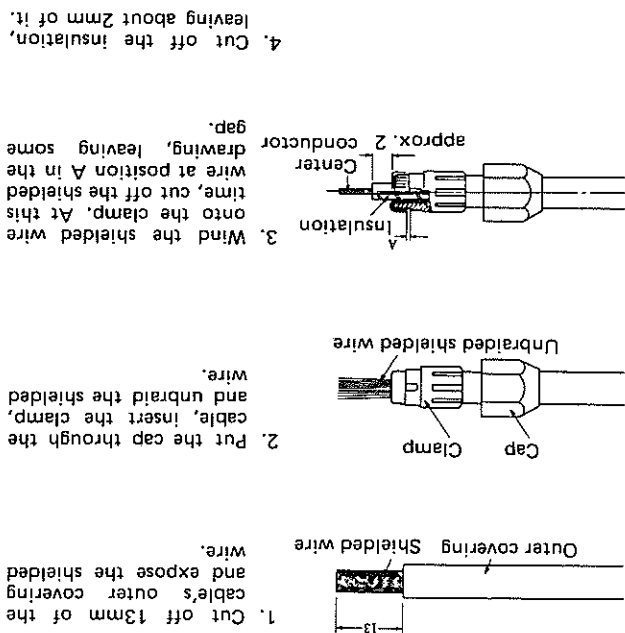


Insert cable and parts into shell and tighten tightening nut sufficiently.



BNC SERIES RF CO-AXIAL CONNECTORS

Assembling methods



X-ON Electronics

Largest Supplier of Electrical and Electronic Components

Click to view similar products for [RF Connectors / Coaxial Connectors](#) category:

Click to view products by [Hirose](#) manufacturer:

Other Similar products are found below :

[R125315120](#) [8915-1511-000](#) [89674-0827](#) [5916-1103-603](#) [0106-001-000](#) [6-0001-3](#) [6001-7071-019](#) [6002-7051-003](#) [6002-7551-202](#) [6059674-1](#) [619550-1](#) [630059-000](#) [M39012/25-0021](#) [M39012/79-3008](#) [M39030/3-01N](#) [M39030/3-03N](#) [M3933/25-29N](#) [M3933/25-36N](#) [6500-7071-046](#) [6501-1071-002](#) [M83723/72W24576](#) [M83723/72W2457N](#) [6769](#) [CX050L2AQ](#) [7002-1541-010](#) [7002-1572-002](#) [7003-1572-002](#) [7004-1512-000](#) [7009-1511-004](#) [7010-1511-000](#) [7029-1511-060](#) [7101-1541-010](#) [7101-1571-002](#) [7105-1521-002](#) [7145-1521-002](#) [7209-1511-011](#) [7210-1511-012](#) [7210-1511-015](#) [7210-1511-019](#) [7210-1511-040](#) [7225-1512-050](#) [7242-1511-000](#) [73137-5015](#) [73251-0111](#) [73251-0672](#) [73276-1501](#) [73366-0013](#) [73404-2300](#) [73413-6080](#) [734151610](#)