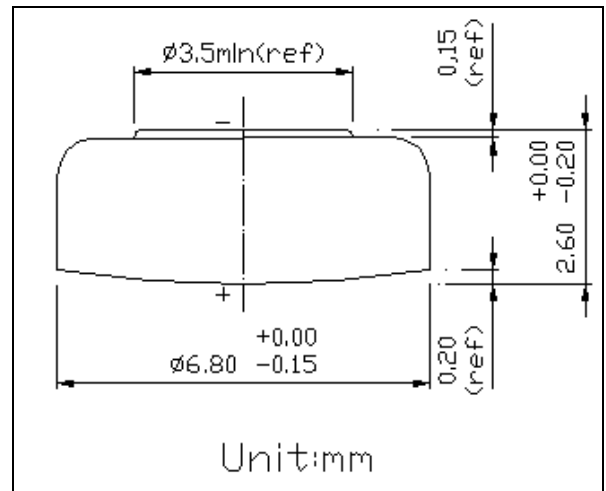
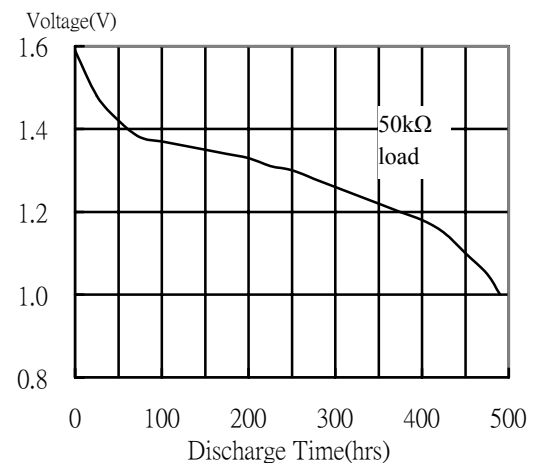


Model No.: GP177

Type	: Alkaline High Drain Button Cell	
Chemical System	: Alkaline Manganese Dioxide	
Nominal Voltage	: 1.5Volts	
Nominal Dimensions	: Ø6.80mm×2.60mm	
Application	: Analog Watch	
Average Weight	: 0.4g	
Date Code	: Unless otherwise specified, each cell Will carry a numeric year code and an alphabetical month code.	
Shelf Life	: Not less than 90% of the service capacity within first year. , not less than 85% of the service capacity with third year storage at 20 ± 2 °C 45-75%RH	
Close Circuit Voltage	: 1.40 Volts (min.)(load resistor 2kΩ at 20 ± 2 °C for 0.1 to 2 seconds)	
Nominal Service Life(to 1.0V at 20 ±2 °C)	: 460 hrs (at 50 kΩ load) 110 days (at 300 kΩ load)	
Average Service Capacity (to 1.0V at 20 ±2 °C)	: 12mAh(at 50 kΩ load)	
Cross References:		
IEC	JIS	Others
LR626SW	LR626	AG4



Typical Discharge characteristics at 20 ± 2 °C



The information (subject to change without prior notice) contained in this document is for reference only and should not be used as a basis for product guarantee or warranty. For applications other than those described here, please consult your nearest GP Sales and Marketing Office or Distributors.

X-ON Electronics

Largest Supplier of Electrical and Electronic Components

Click to view similar products for [Battery Packs](#) category:

Click to view products by [GP Batteries](#) manufacturer:

Other Similar products are found below :

[2280309-1](#) [R101-B](#) [4114 210 501](#) [4120 210 501](#) [4600 726 406](#) [4610 726 406](#) [312G-U1](#) [55615703012](#) [3LR12](#) [4103 210 392](#) [4103 210 394](#)
[4106 210 392](#) [4106 210 394](#) [4223 210 501](#) [4606 726 406](#) [4607 726 406](#) [ZA13](#) [LR03/AAA/MN2400\(K4\)](#) [LR03 MAXELL S4](#) [LR1130](#)
[MAXELL B10](#) [LR14-MN1400-C K2](#) [LR1/910A](#) [LR41 MAXELL B10](#) [LR43](#) [LR43 MAXELL B10](#) [LR6 MAXELL S4](#) [11012](#) [E23A](#) [E90](#)
[625302](#) [625304](#) [637871](#) [638006](#) [6LF22/9V/MN1604\(K1\)C&B](#) [6LF22/9V/MN1604 PLUS](#) [6LR61](#) [SR626SW MAXELL](#) [SR920SW](#)
[MAXELL](#) [7K67 J](#) [55615303059](#) [GP14A S2](#) [GP15E](#) [GP1604GLF-2UE1](#) [GP 1604 ULTRA PLUS](#) [23733](#) [10 ET](#) [675 ET](#) [11A B5](#) [A544](#) [A76-](#)
[U10](#)