

PIEZO BUZZER

Customer	
Customer No.	
BeStar Model Name	BPT3012XH19.5
Product No.	041200
Issue No.	BS/TEP01.127A
Issue Date	01/04/08

Approval:

- 1.Characteristic
- 2.Dimension
- 3.Reliability Test



BESTAR ELECTRONICS INDUSTRY CO.,LTD
TianAn Industry Park4/F,Site B ChangZhou New District
Tel:86-519-5103228
Fax:86-519-5131010
Http:www.be-star.com
E-Mail:bestarco@pub.cz.jsinfo.net

BPT3012XH19.5

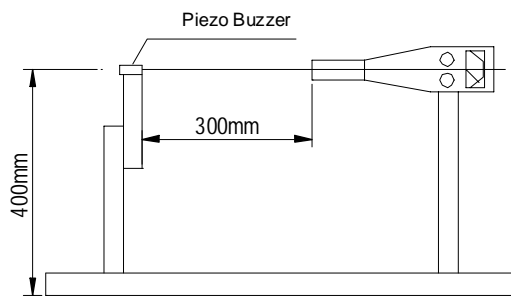


1. Characteristic

★Electrical and Mechanical Characteristics

No.	Item	Specifications
1.	Rated Voltage	12VDC
2.	Operating Voltage	3...20VDC
3.	a)Rated Current	max.10mA
4.	a)Sound Pressure Level at 30cm	min.90dB
5.	a)Resonant Frequency	3600 ± 500Hz
6.	Operating Temperature	-20 ...+75
7.	Storage Temperature	-30 ...+85
	a)Value applying at rated voltage(DC)	

★Standard Output Measurement Setup



This print and information there in are proprietary to Bestar Electronics Industry Co., Ltd. and shall not be used in whole or in part without its written content No041200

DIS.		DATE		Page:1 of 3	BPT3012XH19.5
CHEC.		DATE		3rd angle projection	
APPR.		DATE			Piezo Buzzer



BESTAR ELECTRONICS INDUSTRY CO.,LTD
 TianAn Industry Park 4/F,Site B ChangZhou New District
 E-Mail:bestarco@ pub.cz.jsinfo.net Http:www.be-star.com

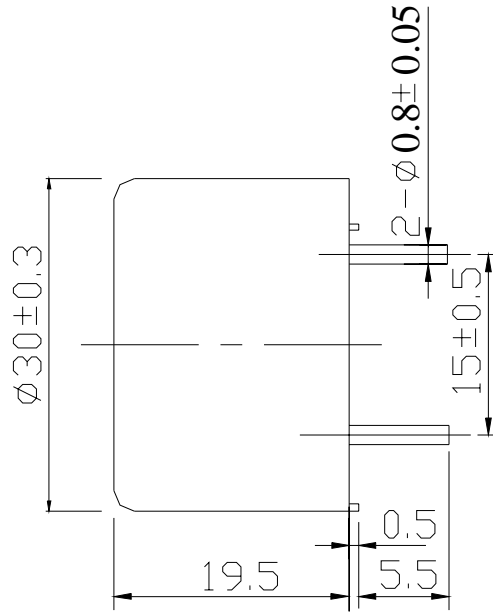
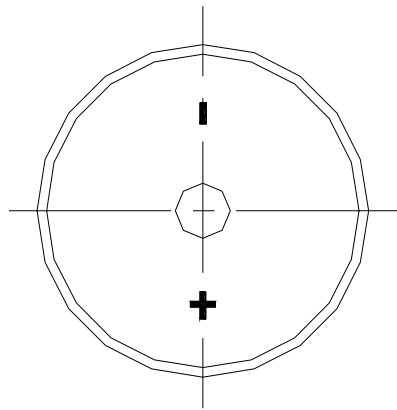
DRG NO
BS/TEP01.127A

BPT3012XH19.5

2. Dimension

Tolerance: ± 0.5

Unit:mm



This print and information there in are proprietary to Bestar Electronics Industry Co., Ltd. and shall not be used in whole or in part without its written content No041200

DIS.		DATE		Page:2 of 3	BPT3012XH19.5
CHEC.		DATE		3rd angle projection	
APPR.		DATE			Piezo Buzzer
 BESTAR ELECTRONICS INDUSTRY CO.,LTD TianAn Industry Park 4/F,Site B ChangZhou New District E-Mail:bestarco@ pub.cz.jsinfo.net Http:www.be-star.com					DRG NO BS/TEP01.127A

BPT3012XH19.5

3. Reliability test

3.1 high temperature test

Temperature +80° C
Duration 96hrs

3.2 low temperature test

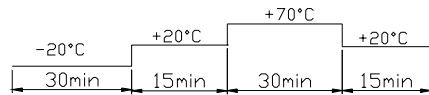
Temperature -30° C
Duration 96hrs

3.3 life test in normal temperature

Power supply rated voltage
Duration 1000hrs

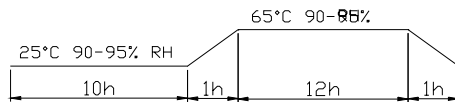
3.4 temperature cycle test

Cycles 5



3.5 Humidity cycle test

Cycles 5



all these tests above should be measured after leaving normal temperature for 2hrs.

3.6 Solderability

Temperature 245± 5° C
Duration 3± 0.5sec

3.7 Drop test

Height 70cm
(to 10mm thickness woodenboard)
Direction 3

Notice: After the test the part shall meet specifications without any degraance and performance except S.P.L, S.P.L shall be 85dB more .

This print and information there in are proprietary to Bestar Electronics Industry Co., Ltd. and shall not be used in whole or in part without its written content No041200

DIS.		DATE		Page:3 of 3	BPT3012XH19.5 Piezo Buzzer
CHEC.		DATE		3rd angle projection	
APPR.		DATE			
 BESTAR ELECTRONICS INDUSTRY CO.,LTD TianAn Industry Park 4/F,Site B ChangZhou New District E-Mail:bestarco@ pub.cz.jsinfo.net Http:www.be-star.com				DRG NO BS/TEP01.127A	

X-ON Electronics

Largest Supplier of Electrical and Electronic Components

Click to view similar products for [Speakers & Transducers](#) category:

Click to view products by [Bestar](#) manufacturer:

Other Similar products are found below :

[AS02016MR-2-R](#) [PB-1220PE](#) [PB-2015PQ](#) [900-00001](#) [SMT-2240-TW-2-R](#) [SWFK-31736-000](#) [PT-2065FW](#) [PT-4175W](#) [AT-2830-TW-LW35-R](#) [ED-30761-000](#) [ED-31305-163](#) [CI-30120-A42](#) [TWFK-23991-000](#) [PB-0927PQ](#) [BF-7083-000](#) [AB6505B](#) [AS01708MR-SC-2-R](#) [AT-5030-TF-2-LW100-R](#) [AST-03008MR-R](#) [AS04008PS-4W-R](#) [AS01308MR-2-R](#) [AS01808AO-WP-R](#) [AS01508MR-6-R](#) [AS07108PO-R](#) [AS07708PS-2-WR-R](#) [AS07104PO-R](#) [SMS2020-08H4.5 LF](#) [BDT1717-08H6.5W56MLF](#) [SMS-2008MS-R](#) [AS04008PS-4W-WR-R](#) [AS06608PS-WR-R](#) [BLS50-1-08H18.2B-03 LF](#) [AS03008MR-R](#) [AS04008CO-2-R](#) [AS04008PR-WR-R](#) [ASE03008MR-LW150-R](#) [AS01808MR-LW152-R](#) [AS01808MR-R](#) [AS03608MR-4-R](#) [AS06608PS-R](#) [AS07708PS-2-R](#) [AS07108PO-3-R](#) [ASE06008MR-LW150-R](#) [ASE02008MR-LW150-R](#) [AST-1732MR-R](#) [SMS-1508MS-2-R](#) [AS05708MR-R](#) [AS07004PO-WR-R](#) [AS05008MR-R](#) [APS3008S-R](#)