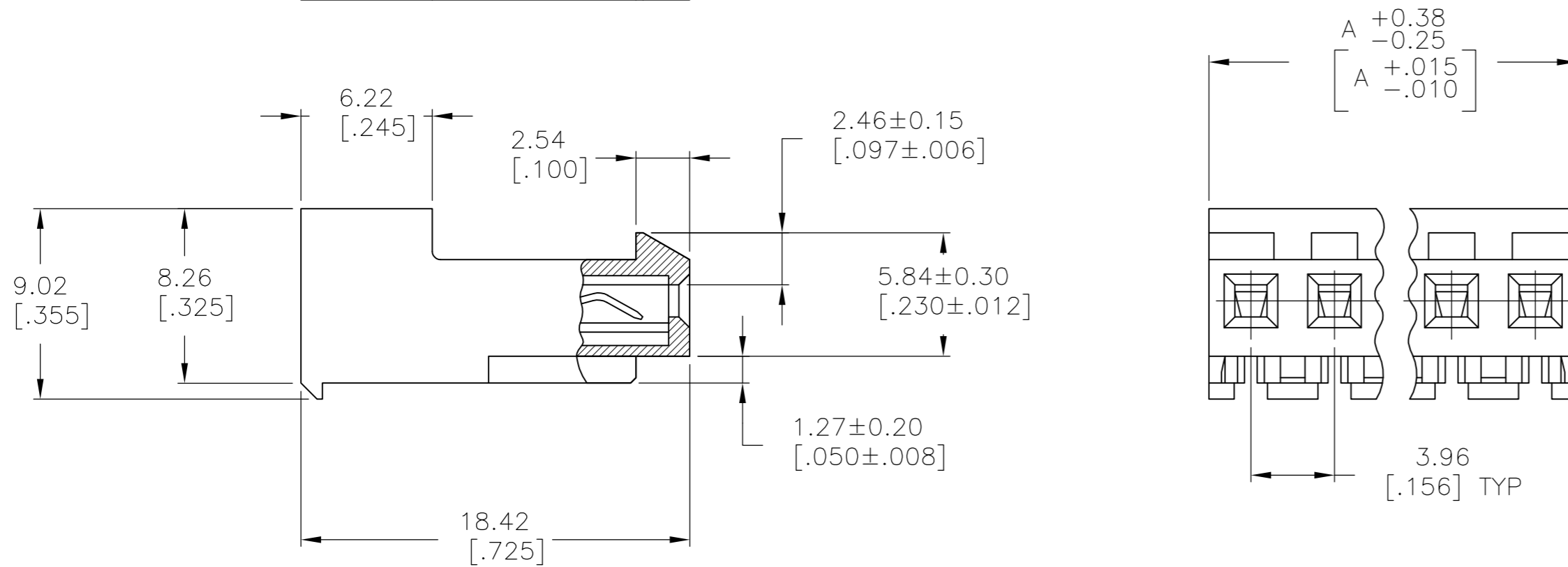
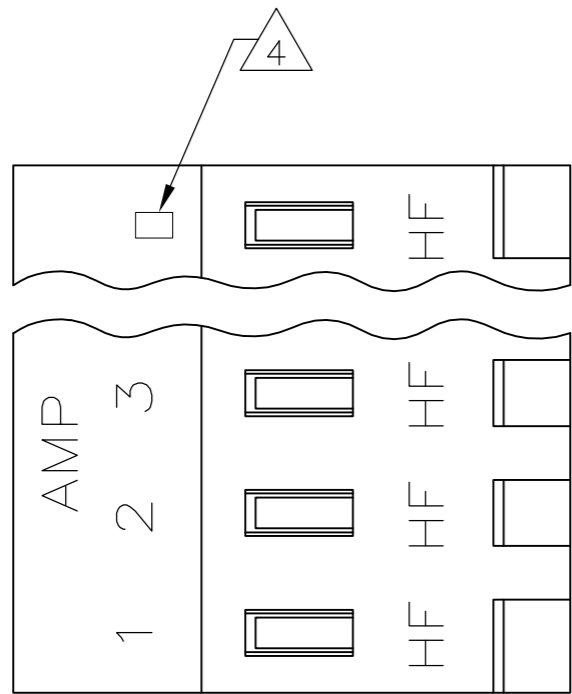


THIS DRAWING IS UNPUBLISHED. RELEASED FOR PUBLICATION  
 © COPYRIGHT BY TYCO ELECTRONICS CORPORATION. ALL RIGHTS RESERVED.

LOC	DIST	REVISIONS			
P	LTR	DESCRIPTION	DATE	DWN	APVD
CM	00	C	ECO-07-012896	25JUN07	KW DB



1 MATERIAL: CONNECTOR - NYLON UL94V-2 (RED).  
 CONTACTS - 0.30[.012] THICK COPPER ALLOY BRIGHT TIN-LEAD  
 0.00203[.000080] MIN THICK FOR -2 THRU -28  
 - 0.30[.012] THICK COPPER ALLOY MATTE WHISKER  
 MITIGATED TIN 0.00203[.000080] MIN THICKNESS  
 OVER NICKEL UNDERPLATE FOR -32 THRU -58.

2. CONTACTS ACCEPT 22 AWG WIRE WITH 2.41[.095] MAX INSULATION DIAMETER.  
 3. CONTACTS MUST ACCEPT 1.14±0.03[.045±.001] SQUARE POST AND REMAIN LOCKED IN POSITION.

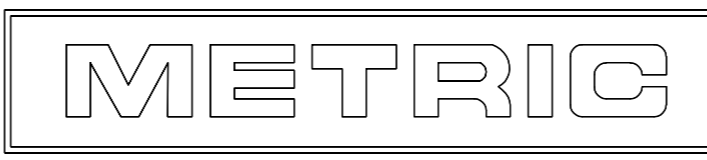
4 IDENTIFICATION NUMBER FOR LAST CIRCUIT MAY NOT APPEAR ON ALL ASSEMBLIES.

5. DIMENSIONS IN BRACKETS ARE IN INCHES.

6. HOUSING FEATURES ARE: CLOSED END WITH LOCKING RAMP.(HIGH FORCE CONTACT)

FINISH	DIM A	NO. OF CIRCUITS	PART NO.
TIN	23.77 [.936]	6	3-643193-6
TIN	19.81 [.780]	5	3-643193-5
TIN	15.85 [.624]	4	3-643193-4
TIN	11.89 [.468]	3	3-643193-3
TIN	7.92 [.312]	2	3-643193-2
TIN-LEAD	23.77 [.936]	6	643193-6
TIN-LEAD	19.81 [.780]	5	643193-5
TIN-LEAD	15.85 [.624]	4	643193-4
TIN-LEAD	11.89 [.468]	3	643193-3
TIN-LEAD	7.92 [.312]	2	643193-2

THIS DRAWING IS A CONTROLLED DOCUMENT.		DWN 12FEB91	Tyco Electronics Corporation Harrisburg, PA 17105-3608	
DIMENSIONS: mm [INCHES]		CHK 12FEB91	NAME	
TOLERANCES UNLESS OTHERWISE SPECIFIED:		APVD 20FEB91	PRODUCT SPEC	
0 PLC ± -	1 PLC ± -	108-1051		
2 PLC ± -	3 PLC ± 0.13[.005]	APPLICATION SPEC		
4 PLC ± -	ANGLES ± -	114-1020		
MATERIAL 1	FINISH 1	WEIGHT -	SIZE A2	CAGE CODE 00779
CUSTOMER DRAWING		SCALE 4:1	DRAWING NO C-643193	RESTRICTED TO -
		SHEET 1 OF 1	REV C	



## X-ON Electronics

Largest Supplier of Electrical and Electronic Components

*Click to view similar products for [Headers & Wire Housings](#) category:*

*Click to view products by [TE Connectivity](#) manufacturer:*

Other Similar products are found below :

[95000-104TRLF](#) [10135584-644402LF](#) [DF62W-EP2022PCA](#) [95000-106TRLF](#) [DF62W-2022SCA](#) [DF62W-EP2022PC](#) [2203348](#) [DF62W-2022SC](#) [1084018](#) [1029039](#) [1084017](#) [802-10-012-10-002000](#) [1112640](#) [1112639](#) [891-007-9SS-BST1T](#) [000-34000](#) [0008550134](#) [0009482033](#) [0009507031](#) [57102-F02-18ULF](#) [57102-S06-03LF](#) [57202-S52-04LF](#) [PCN6-15S-2.5E](#) [0039019024](#) [58102-G61-06LF](#) [582553-1](#) [0009485154](#) [0009508121](#) [0022285053](#) [0050291907](#) [018731A](#) [LY20-4P-DT1-P1E-BR](#) [02.125.8002.8](#) [60101931](#) [60598-1 \(Cut Strip\)](#) [M1625-3R/100](#) [61062-3](#) [61082-181009](#) [CSU011177004](#) [636-1427](#) [638009-1](#) [641938-9](#) [641991-4](#) [644168-1](#) [644827-2](#) [647662-1](#) [65039-019ELF](#) [65692-001LF](#) [65781-018](#) [65781-047](#)