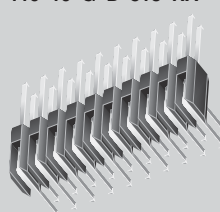
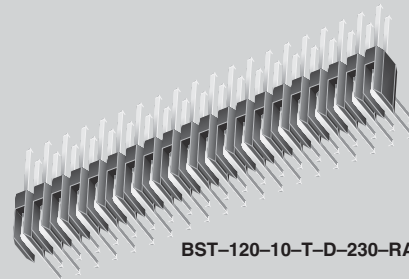




BST-110-10-G-D-318-RA



BST-120-10-T-D-230-RA

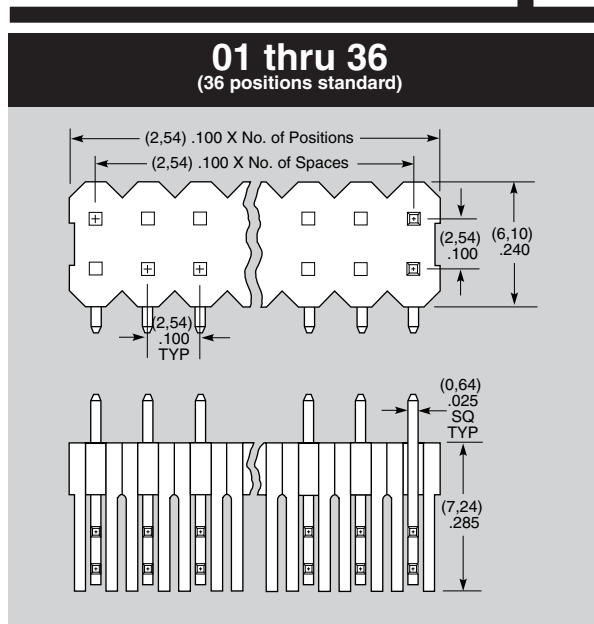


(2,54mm) .100"

BST SERIES

BOTTOM SHROUDED TERMINAL STRIPS

Mates with:
SSW, SSQ, BSW, ESW,
ESQ, IDSS, IDSD



- G** = 10µ" (0,25µm) Gold on contact area, Gold flash on balance
 - T** = Tin
 - S** = 30µ" (0,76µm) Gold on contact area, Tin on tail
 - L** = 10µ" (0,25µm) Gold on contact area, Tin on tail
 - H** = 30µ" (0,76µm) Gold on contact area, Gold flash on balance (Available with straight pin styles -09 only) (Minimums may apply)
-

SPECIFICATIONS

For complete specifications and recommended PCB layouts see www.samtec.com?BST

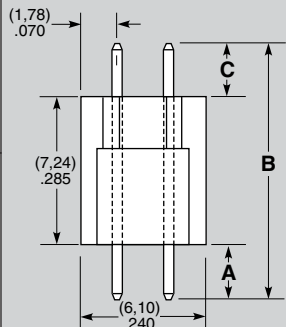
Insulator Material:
Black Glass Filled Polyester
Flammability Rating:
UL 94V-O
Insulation Resistance:
5000 megohm @ 500 VDC
Operating Temp Range:
-55°C to 125°C with Gold
-55°C to 105°C with Tin
Withstanding Voltage:
1000 VRMS @ 60 Hz
Terminal Material:
Drawn Phosphor Bronze Wire
Plating: Au or Sn over 50µ" (1,27µm) Ni
Current Rating:
3 A
Terminal Retention in Body:
3 lbs (13,35N)
RoHS Compliant:
Yes



Straight Pin Versions

Specify LEAD STYLE from chart.

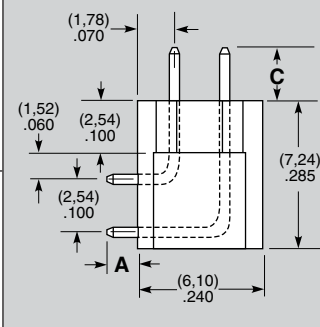
LEAD STYLE	TAIL A	OAL B	POST C
-09	(5,46) .215	(18,54) .730	(5,84) .230
-10	(8,00) .315	(21,08) .830	
-11	(10,54) .415	(23,62) .930	
-12	(13,08) .515	(26,16) 1.030	
-13	(18,16) .715	(31,24) 1.230	
-14	(23,24) .915	(36,32) 1.430	
-15	(29,2) .115	(42,30) 1.630	
-19	(20,70) .815	(33,78) 1.330	
-20	(15,62) .615	(28,70) 1.130	
-09	(3,29) .127	(18,54) .730	
-10	(5,77) .227	(21,08) .830	
-11	(8,31) .327	(23,62) .930	
-12	(10,85) .427	(26,16) 1.030	
-13	(15,93) .627	(31,24) 1.230	
-14	(21,01) .827	(36,32) 1.430	
-19	(18,47) .727	(33,78) 1.330	
-20	(13,39) .527	(28,70) 1.130	



Right Angle Versions

Specify LEAD STYLE from chart.

LEAD STYLE	TAIL A	POST C	
-08	(2,29) .090	(5,84) .230	
-09	(7,37) .290		
-10	(9,91) .390		
-11	(12,45) .490		
-12	(14,99) .590		
-13	(20,07) .790		
-15	(4,83) .190		
-20	(17,53) .690		
-09	(5,08) .200		(8,08) .318
-10	(7,62) .300		
-11	(10,16) .400		
-12	(12,70) .500		
-13	(17,78) .700		
-20	(15,24) .600		



Due to technical progress, all designs, specifications and components are subject to change without notice.

WWW.SAMTEC.COM

X-ON Electronics

Largest Supplier of Electrical and Electronic Components

Click to view similar products for [samtec](#) manufacturer:

Other Similar products are found below :

[ESQT-135-03-F-D-380](#) [FTSH-111-01-L-DV](#) [QTE-060-01-L-D-A](#) [MSAS-179-ZUGG-18](#) [MTSW-103-07-F-S-240](#) [MTSW-125-24-H-D-285](#)
[ERF8-020-05.0-S-DV-K-TR](#) [IDMD-10-T-12.00-A-G-R](#) [IPL1-112-01-L-D-K](#) [SFM-107-02-S-D-LC](#) [SFML-115-01-S-D](#) [SFML-125-01-S-D](#)
[LSHM-120-02.5-L-DV-A-N-K-TR](#) [ESQ-110-14-G-D](#) [ESQT-125-03-F-D-310](#) [SQW-120-01-F-D-VS-A](#) [FJH-50-D-12.00-4](#) [CES-150-01-T-D](#)
[QFS-052-01-SL-D-RA](#) [QTE-040-04-L-D-A](#) [QTH-020-04-F-D-DP-A-K-TR](#) [QTH-060-01-F-D-A](#) [QTH-090-04-L-D-A](#) [TCSD-10-S-05.00-01-](#)
[F-N](#) [TFM-110-02-S-D](#) [TFM-115-02-L-DH](#) [TFM-120-12-S-D-LC](#) [TFML-140-02-S-D](#) [TLW-107-05-G-D](#) [BDL-136-T-E](#) [TSS-132-01-G-S](#)
[TST-113-04-S-D-RA](#) [TSW-105-14-F-D](#) [BSE-040-01-F-D-A](#) [HPF-03-02-T-S](#) [IPD1-04-D-K](#) [TW-03-06-H-D-400-SM-A](#) [RPCU-G-00.50-](#)
[BMS-AM](#) [ERF8-020-01-L-D-RA-L-TR](#) [ERF8-025-05.0-L-DV-TR](#) [ERF8-040-05.0-L-DV-TR](#) [SL-120-T-10](#) [SLM-115-01-S-D](#) [CLP-132-02-](#)
[G-D](#) [TFC-125-02-F-D-A-K](#) [ISDF-25-D-M](#) [IPT1-105-01-S-D-RA](#) [IPL1-125-01-S-D-RA](#) [ICO-308-CGT](#) [HTSW-103-08-L-S-RA](#)