

BSW-110-24-T-S

BSW-124-04-T-S-S

BSW-115-04-G-D

BSW SERIES

(2,54 mm) .100"

BOTTOM MOUNT SOCKET STRIPS

Mates with:

TSW, MTSW, HTSW,
MTLW, TSM, EW, ZW,
HW, DW, PHT

FEATURES

- Bottom mount socket strips accept .025" SQ terminals.
- Ideal for soldering and plugging from the same side of the board.
- For low profile connections and high temperature soldering.

SPECIFICATIONS

For complete specifications and recommended PCB layouts see www.samtec.com?BSW

Insulator Material:

Black Thermoplastic
Insulation Resistance:
5000 MΩ min

Contact Material:

Phosphor Bronze

Plating:

Au or Sn over

50μ" (1,27 μm) Ni

Operating Temp Range:

-55°C to +125°C with Gold

-55°C to +105°C with Tin

Withstanding Voltage:

1000 VRMS @ 60 Hz

Contact Resistance:

10 mΩ

Insertion Depth:

(3,68 mm) .145" to

(6,35 mm) .250"

Insertion Force:

(Single contact only)

Standard = 8 oz (2,23 N) avg.

Low Insertion Force = 3 oz

(0,83 N) avg.

Withdrawal Force:

(Single contact only)

Standard = 8 oz (2,23 N) avg.

Low Insertion Force = 3 oz

(0,83 N) avg.

RoHS Compliant:

Yes

Lead-Free Solderable:

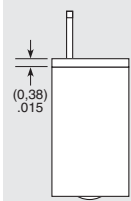
Wave only

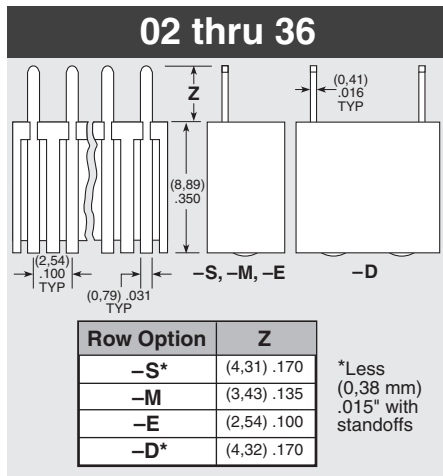
RECOGNITIONS

For complete scope of recognitions see www.samtec.com/quality



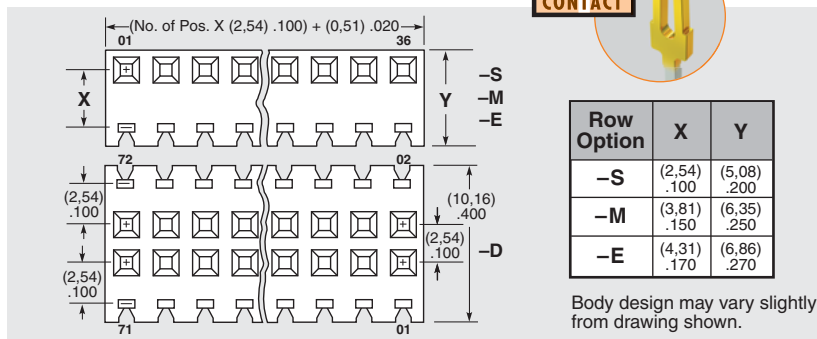
Note: Some lengths, styles and options are non-standard, non-returnable.

BSW	1	NO. PINS PER ROW	LEAD STYLE	PLATING OPTION	ROW OPTION	OTHER OPTION
			-04 = Standard Lead	-L = 10μ" (0,25 μm) Gold contact, Matte Tin on tail		-S = Standoffs for single and double rows only.
			-24 = Low Insertion Force	-G = 20μ" (0,51 μm) Gold contact, Gold Flash on tail		 (0,39) (0,015)
			ALSO AVAILABLE (MOQ Required)	-T = Matte Tin (N/A with Low Insertion Force)		(-S & -D only)
			Other platings Contact Samtec.			



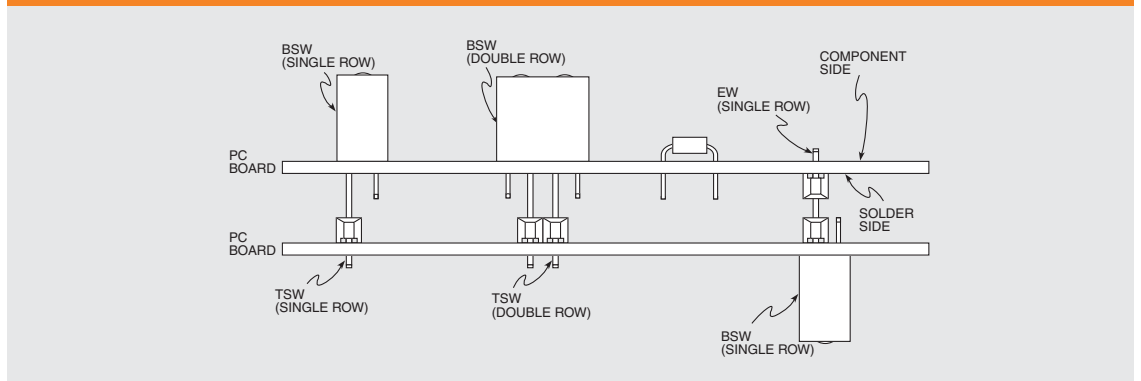
ALSO AVAILABLE (MOQ Required)

- Other platings Contact Samtec.



- S** = Single Row
- M** = Single Row More Plug Space
- E** = Single Row Extended Plug Space
- D** = Double Row

APPLICATIONS



X-ON Electronics

Largest Supplier of Electrical and Electronic Components

Click to view similar products for [Headers & Wire Housings](#) category:

Click to view products by [Samtec](#) manufacturer:

Other Similar products are found below :

[95000-104TRLF](#) [10135584-644402LF](#) [DF62W-EP2022PCA](#) [95000-106TRLF](#) [DF62W-2022SCA](#) [DF62W-EP2022PC](#) [2203348](#) [DF62W-2022SC](#) [1084018](#) [1029039](#) [1084017](#) [802-10-012-10-002000](#) [1112640](#) [1112639](#) [000-34000](#) [0009482033](#) [0009507031](#) [57102-S06-03LF](#) [57202-S52-04LF](#) [PCN6-15S-2.5E](#) [0039019024](#) [58102-G61-06LF](#) [582553-1](#) [0009485154](#) [0009508121](#) [0022285053](#) [0050291907](#) [018731A](#) [LY20-4P-DT1-P1E-BR](#) [02.125.8002.8](#) [60101931](#) [60598-1 \(Cut Strip\)](#) [M1625-3R/100](#) [61062-3](#) [61082-181009](#) [636-1427](#) [638009-1](#) [641938-9](#) [641991-4](#) [644168-1](#) [647662-1](#) [65039-019ELF](#) [65781-047](#) [65817-002LF](#) [65817-015LF](#) [65863-015LF](#) [66207-023LF](#) [67016-026LF](#) [67046-001LF](#) [67095-007LF](#)