

Surface Mount Aluminum Electrolytic Capacitors NACZF Series

FEATURES

- CYLINDRICAL LEADLESS TYPE FOR SURFACE MOUNTING
- HIGH CAPACITANCE VALUES (UP TO 6800 μ F)
- LOW IMPEDANCE/HIGH RIPPLE CURRENT AT 100KHz
- 12.5mm x 17mm ~ 18mm x 22mm CASE SIZES
- WIDE TERMINATION STYLE FOR HIGH VIBRATION APPLICATIONS
- LONG LIFE (5000 HOURS AT +105°C)
- DESIGNED FOR REFLOW SOLDERING

RoHS Compliant
includes all homogeneous materials

*See Part Number System for Details



CHARACTERISTICS

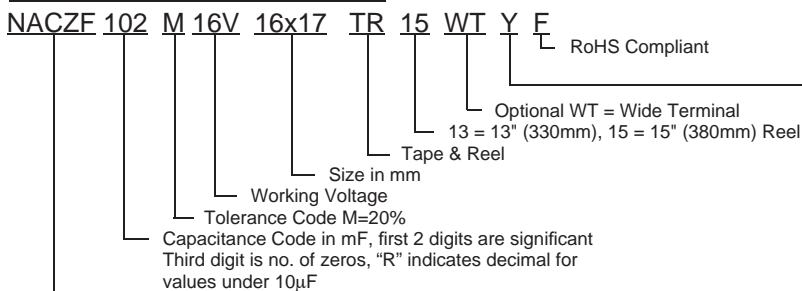
Rated Voltage Range	6.3 ~ 100Vdc								
Rated Capacitance Range	47 ~ 6,800 μ F								
Operating Temperature Range	-40°C ~ +105°C								
Capacitance Tolerance	\pm 20% (M)								
Max. Leakage Current After 2 Minutes	0.01CV or 3 μ A whichever is greater								
Working Voltage	6.3Vdc	10Vdc	16Vdc	25Vdc	35Vdc	50Vdc	63Vdc	100Vdc	
Surge Voltage	8.0Vdc	13Vdc	20Vdc	32Vdc	44vdc	63Vdc	79Vdc	125Vdc	
Max. Tan δ at 120Hz & 20°C	C \leq 1000 μ F	-	0.19	0.16	0.14	0.12	0.10	0.08	0.07
	C = 2200 μ F	0.24	0.21	0.18	0.16	0.14	-	-	-
	C = 3300 μ F	0.26	0.23	0.20	0.18	-	-	-	-
	C = 4700 μ F	0.28	0.25	-	-	-	-	-	-
Low Temperature Stability (Impedance Ratio @ 120Hz)	Z-25°C/Z+20°C	2	2	2	2	2	2	2	2
	Z-40°C/Z+20°C	3	3	3	3	3	3	3	3
High Temperature Load Life 5,000 Hours at +105°C Rated WVDC	Capacitance Change	Within \pm 20% of initial measured value							
	Tan δ	Less than 200% of specified value							
	Leakage Current	Less than the specified maximum value							
Resistance to Soldering Heat Within the Recommended Reflow Conditions	Capacitance Change	Within \pm 10% of initial measured value							
	Tan δ	Less than the specified maximum value							
	Leakage Current	Less than the specified maximum value							

STANDARD PRODUCT AND CASE SIZE TABLE D ϕ xL (mm)

Cap (μ F)	Code	Working Voltage (Vdc)							
		6.3	10	16	25	35	50	63	100
47	470	-	-	-	-	-	-	-	12.5 x 17
68	680	-	-	-	-	-	-	12.5 x 17	12.5 x 17
100	101	-	-	-	-	-	-	12.5 x 17	16 x 17
220	221	-	-	-	-	-	12.5 x 17	16 x 17	18 x 17
330	331	-	-	-	-	12.5 x 17	16 x 17	18 x 17	18 x 22
470	471	-	-	-	12.5 x 17	16 x 17	18 x 17	18 x 22	-
1000	102	-	12.5 x 17	16 x 17	18 x 17	18 x 17	18 x 22	-	-
2200	222	16 x 17	16 x 17	18 x 17	18 x 22	18 x 22	-	-	-
3300	332	18 x 17	18 x 17	18 x 22	18 x 22	-	-	-	-
4700	472	18 x 22	18 x 22	-	-	-	-	-	-
6800	682	18 x 22	18 x 22	-	-	-	-	-	-

Shading denotes parts available with "Y" option (for Automotive Equipment)

PART NUMBER SYSTEM



Optional: Suitable for automotive equipment, sourced to special production and inspection at TS-16949 certified production site

PRECAUTIONS

Please review the notes on correct use, safety and precautions found on pages T10 & T11 of NIC's Electrolytic Capacitor catalog.
Also found at www.niccomp.com/precautions
If in doubt or uncertainty, please review your specific application - process details with NIC's technical support personnel: tpmg@niccomp.com



Surface Mount Aluminum Electrolytic Capacitors NACZF Series

STANDARD VALUES, CASE SIZES AND SPECIFICATIONS

NIC Part Number*	Cap. (μF)	W.V. (Vdc)	Dissipation Factor (Tan δ)	Max. Ripple Current (mA) +105°C, 100KHz	Max. Impedance (Ω) +20°C, 100KHz	Load Life Hours @ +105°C
NACZF222M6.3V16X17TR15T2F	2200	6.3	0.24	1690	0.043	5,000
NACZF332M6.3V18X17TR13T2F	3300		0.26	2000	0.038	5,000
NACZF472M6.3V18X22TR13T2F	4700		0.28	2205	0.029	5,000
NACZF682M6.3V18X22TR13T2F	6800		0.32	2490	0.028	5,000
NACZF102M10V12.5X17TR13T2F	1000	10	0.19	1205	0.065	5,000
NACZF222M10V16X17TR15T2F	2200		0.21	1690	0.043	5,000
NACZF332M10V18X17TR13T2F	3300		0.23	2000	0.038	5,000
NACZF472M10V18X22TR13T2F	4700		0.25	2490	0.028	5,000
NACZF682M10V18X22TR13T2F	6800	16	0.29	2490	0.028	5,000
NACZF102M16V16X17TR15T2F	1000		0.16	1690	0.043	5,000
NACZF222M16V18X17TR13T2F	2200		0.18	2000	0.038	5,000
NACZF332M16V18X22TR13T2F	3300		0.20	2490	0.028	5,000
NACZF471M25V12.5X17TR13T2F	470	25	0.14	1205	0.065	5,000
NACZF102M25V18X17TR13T2F	1000		0.14	2000	0.038	5,000
NACZF222M25V18X22TR13T2F	2200		0.16	2490	0.028	5,000
NACZF332M25V18X22TR13T2F	3300		0.18	2490	0.028	5,000
NACZF331M35V12.5X17TR13T2F	330	35	0.12	1205	0.065	5,000
NACZF471M35V16X17TR15T2F	470		0.12	1690	0.043	5,000
NACZF102M35V18X17TR13T2F	1000		0.12	2000	0.038	5,000
NACZF222M35V18X22TR13T2F	2200		0.14	2490	0.028	5,000
NACZF221M50V12.5X17TR13T2F	220	50	0.10	1150	0.110	5,000
NACZF331M50V16X17TR15T2F	330		0.10	1610	0.080	5,000
NACZF471M50V18X17TR13T2F	470		0.10	1900	0.068	5,000
NACZF102M50V18X22TR13T2F	1000		0.10	2420	0.042	5,000
NACZF680M63V12.5X17TR13T2F	68	63	0.08	1020	0.150	5,000
NACZF101M63V12.5X17TR13T2F	100		0.08	1020	0.150	5,000
NACZF221M63V16X17TR15T2F	220		0.08	1410	0.090	5,000
NACZF331M63V18X17TR13T2F	330		0.08	1690	0.086	5,000
NACZF471M63V18X22TR13T2F	470		0.08	2290	0.055	5,000
NACZF470M100V12.5X17TR13T2F	47	100	0.07	511	0.300	5,000
NACZF680M100V12.5X17TR13T2F	68		0.07	511	0.300	5,000
NACZF101M100V16X17TR15T2F	100		0.07	793	0.180	5,000
NACZF221M100V18X17TR13T2F	220		0.07	917	0.155	5,000
NACZF331M100V18X22TR13T2F	330		0.07	1230	0.083	5,000

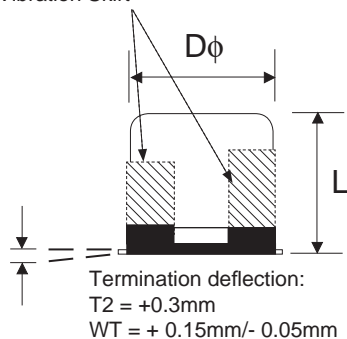
Available for Automotive Equipment, see part numbering system

*See part numbering system for how to denote WT termination style

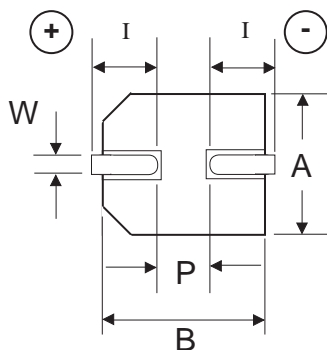
DIMENSIONS (mm)

Case Size	Dφ ±0.5	L max.	A ±0.2	B ±0.2	I typical	W	P typical	R	S	T
12.5 x 17T2	12.5	17.0	13.5	13.5	4.7	0.6 ~ 1.2	4.4	-	-	-
12.5 x 17WT	12.5	17.3	13.5	13.5	4.7	0.9 ~ 1.5	4.4	2.2	7.1	2.4
16 x 17T2	16.0	17.0	16.7±0.6	16.7±0.6	5.2	0.9 ~ 2.1	6.8	-	-	-
16 x 17WT	16.0	17.5	17.0	17.0	5.5	1.2 ~ 2.1	6.8	3.0	9.0	1.9
16 x 22T2	16.0	22.0	17.0	17.0	5.5	0.9 ~ 1.5	6.7	-	-	-
16 x 22WT	16.0	22.3	17.0	17.0	5.5	1.2 ~ 1.6	6.7	3.0	9.0	1.9
18 x 17T2	18.0	17.0	19.0	19.0	6.7	0.9 ~ 1.5	6.7	-	-	-
18 x 17WT	18.0	17.3	19.0	19.0	6.7	1.2 ~ 1.6	6.7	3.0	11.0	1.9
18 x 22T2	18.0	22.0	19.0	19.0	6.7	0.9 ~ 1.5	6.7	-	-	-
18 x 22WT	18.0	22.3	19.0	19.0	6.7	1.2 ~ 1.6	6.7	3.0	11.0	1.9

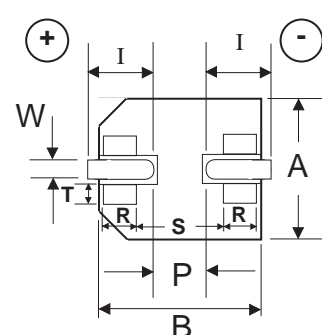
Anti-Vibration Skirt



T2 STYLE



WT STYLE



Surface Mount Aluminum Electrolytic Capacitors NACZF Series

CARRIER TAPE

Case Size	A ±0.5	B ±0.2	C ±0.3	D ±0.1	P ±0.1	T ±0.2
12.5 x 17T2	14.0	14.0	32.0	14.2	24.0	17.5
12.5 x 17WT	14.0	14.0	32.0	14.2	24.0	17.5
16 x 17T2	17.5	17.5	44.0	20.2	28.0	17.5
16 x 17WT	17.5	17.5	44.0	20.2	28.0	17.5
16 x 22T2	17.5	17.5	44.0	20.2	28.0	22.5
16 x 22WT	17.5	17.5	44.0	20.2	28.0	22.5
18 x 17T2	19.5	19.5	44.0	20.2	32.0	17.5
18 x 17WT	19.5	19.5	44.0	20.2	32.0 <td 17.5	
18 x 22T2	19.5	19.5	44.0	20.2	32.0	22.5
18 x 22WT	19.5	19.5	44.0	20.2	32.0	22.5

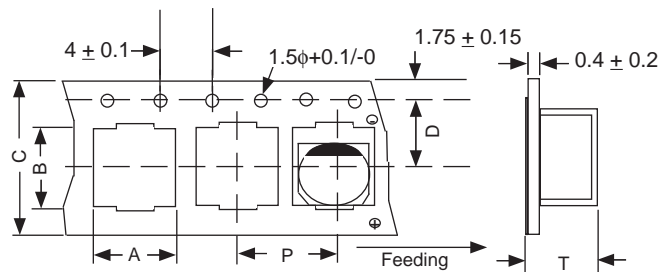
TR13 330mm (13") REEL TR15 380mm (15") REEL

Case Size	W ±1.0	Quantity Per Reel	
		13" Reel	15" Reel
12.5 x 17	34.0	150 pcs	N/A
16 x 17	46.0	N/A	200 pcs
16 x 22	46.0	75 pcs	N/A
18 x 17	46.0	125 pcs	N/A
18 x 22	46.0	75 pcs	N/A

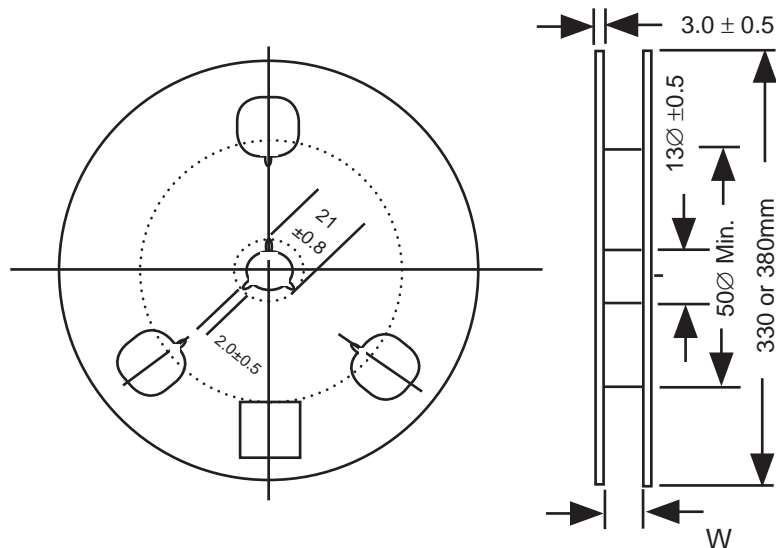
TAPING SPECIFICATIONS (mm)

- Both Leader and Trailer tape: Minimum 40mm (1.57") empty carrier tape pockets.
- Leader tape: Approximately 20cm of cover tape at leader.
- Connection: Maximum 3 connections (slices) per reel.

CARRIER



REEL



X-ON Electronics

Largest Supplier of Electrical and Electronic Components

Click to view similar products for [Aluminium Electrolytic Capacitors - Radial Leaded](#) category:

Click to view products by [NIC](#) manufacturer:

Other Similar products are found below :

[NRELS102M35V16X16C.140LLF](#) [ESRG160ETC100MD07D](#) [227RZS050M](#) [335CKR250M](#) [476CKH100MSA](#) [477CKR100M](#)
[107CKR010M](#) [107CKH063MSA](#) [RJH-25V222MI9#](#) [RJH-35V221MG5#](#) [B43827A1106M8](#) [RJH-50V221MH6#](#) [EKYA500ELL470MF11D](#)
[B41022A5686M6](#) [ESRG250ELL101MH09D](#) [EKMA160EC3101MF07D](#) [RJB-10V471MG3#](#) [ESMG160ETD221MF11D](#)
[EKZH160ETD152MJ20S](#) [RJH-35V122MJ6#](#) [EGXF630ELL621ML20S](#) [RBD-25V100KE3#N](#) [EKMA350ELL100ME07D](#)
[ESMG160ETD101ME11D](#) [ELXY100ETD102MJ20S](#) [EGXF500ELL561ML15S](#) [EKMG350ETD471MJ16S](#) [35YXA330MEFC10X12.5](#)
[RXW471M1ESA-0815](#) [ELXZ630ELL221MJ25S](#) [ERR1HM1R0D11OT](#) [LPE681M30060FVA](#) [LPL471M22030FVA](#) [HFE221M25030FVA](#)
[LKMD1401H221MF](#) [B41888G6108M000](#) [EKMA160ETD470MF07D](#) [UHW1J102MHD6](#) [EKMG500ETD221MJC5S](#) [LKMK2502W101MF](#)
[LKMD1401H181MF](#) [LKMI2502G820MF](#) [LKMJ2001J122MF](#) [LKML2501C472MF](#) [LKMJ4002C681MF](#) [450MXH330MEFCSN25X45](#)
[450MXK330MA2RFC22X50](#) [63ZLH560MEFCG412.5X30](#) [ELH2DM331O25KT](#) [ELH2DM471P30KT](#)