

# NERBO®

## NBC 24-12i

NBC series is specially designed for frequent deep cycle discharge. By using the specially designed active material and strong grids, the NBC series battery offers reliable performance in high load situations. Suitable for power-driven scooters, electric wheel chairs etc.



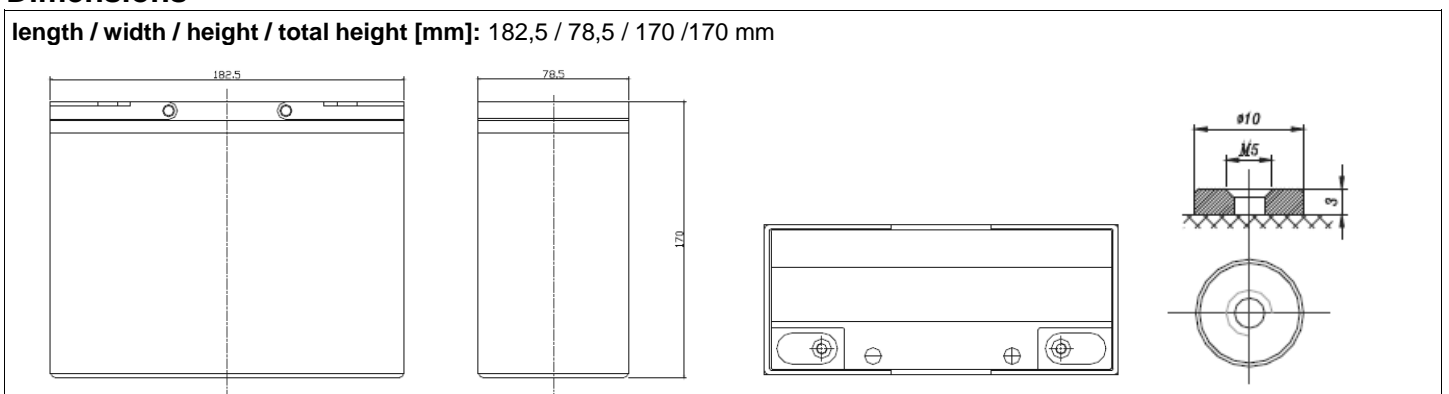
### Specification

No of cells	6
Voltage	12 V
Capacity	24 Ah at 20 h discharge down to 1.8V by cel at 25°C
Weight	Approx. 7,0 kg
Max discharge current	240 A (5 s)
Internal resistance	Approx. 10 mΩ
Working temperature	Discharge: -20°C ÷ 60°C Charge: 0°C ÷ 50°C Storage: -20°C ÷ 60°C
Optimum working temperature	25°C±5°C
Max Charge current	6,0 A
Charge voltage	14,6÷14,8 VDC for cyclic work at 25°C
Self-discharge	Batteries may be stored for longer than 6 months at 25°C. Before use please charge batteries.
Terminal	Internal thread M5
Case material	A.B.S. (UL94-HB), fire resistance UL94-V-0 custom available.

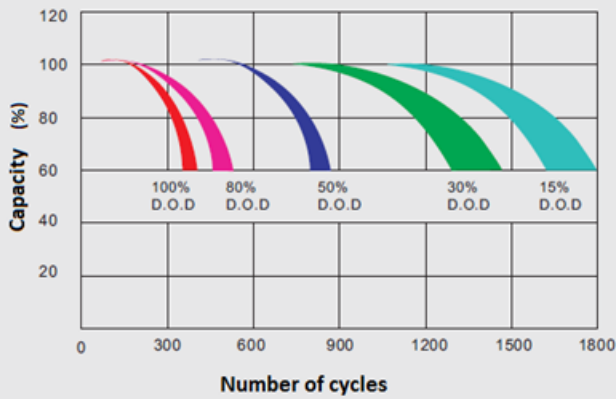


### Dimensions

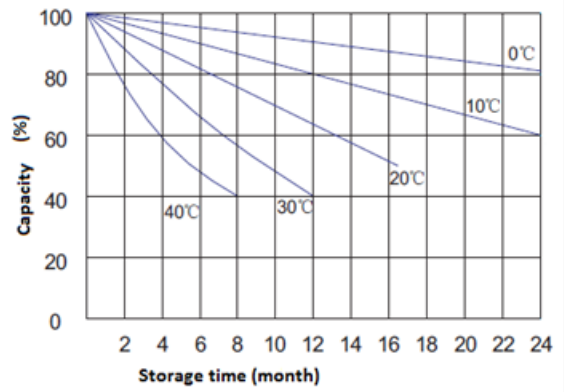
length / width / height / total height [mm]: 182,5 / 78,5 / 170 /170 mm



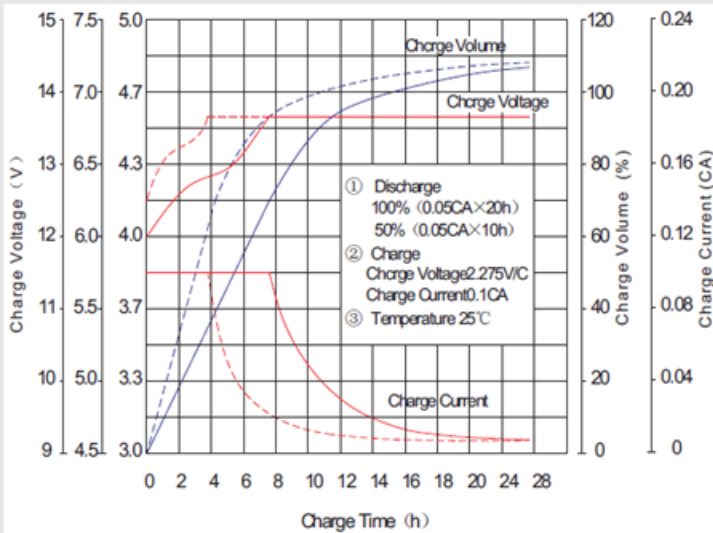
**Cyclical useful life**



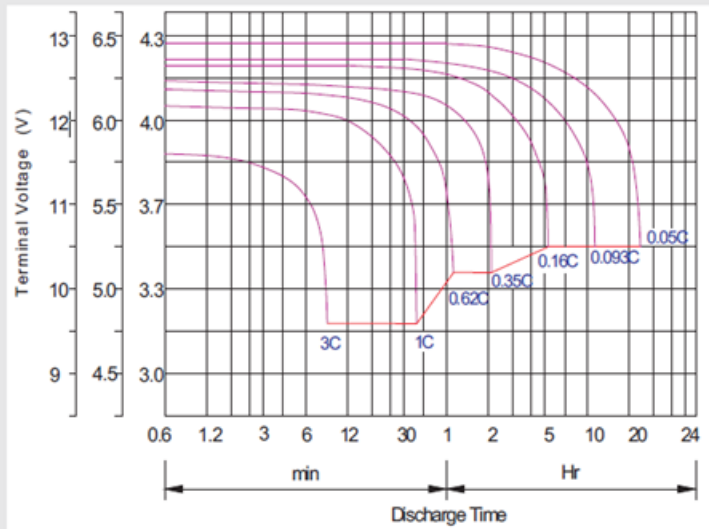
**Self-discharge in time**



**Charge characteristics**



**Discharge characteristics**



**Constant current characteristics: A at 25°C**

Voltage / Time	5 min	10 min	15 min	30 min	1 h	2 h	3 h	4 h	5 h	8 h	10 h	20 h
9,6 V	100,34	65,79	49,00	26,08	16,53	10,04	6,66	5,43	4,46	2,84	2,48	1,35
10,0 V	96,72	64,14	47,43	25,75	16,31	9,83	6,54	5,35	4,42	2,83	2,45	1,30
10,2 V	91,03	60,97	46,11	25,35	16,16	9,73	6,48	5,30	4,39	2,82	2,43	1,28
10,5 V	81,83	57,01	43,49	24,66	15,96	9,60	6,42	5,22	4,34	2,81	2,40	1,23
10,8 V	73,32	53,16	41,03	23,41	15,62	9,52	6,35	5,04	4,32	2,79	2,35	1,18
11,1 V	64,15	48,74	37,86	22,93	15,01	9,14	6,22	4,97	4,29	2,78	2,33	1,16

**Constant power characteristics: W at 25°C**

Voltage / Time	5 min	10 min	15 min	30 min	1 h	2 h	3 h	4 h	5 h	8 h	10 h	20 h
9,6 V	1088	721,4	540,7	298,6	191,7	120,0	79,66	64,95	53,43	33,99	29,71	16,20
10,0 V	1060	706,4	532,9	295,5	188,9	117,5	78,36	64,04	52,95	33,88	29,43	15,63
10,2 V	1008	678,4	525,9	292,9	187,5	116,5	77,68	63,44	52,62	33,78	29,15	15,34
10,5 V	920	650,4	498,5	286,9	185,0	115,2	77,11	62,58	52,20	33,65	28,85	14,76
10,8 V	830	608,5	471,4	275,8	185,0	114,2	76,21	60,47	51,96	33,52	28,24	14,16
11,1 V	732	566,5	443,6	272,4	178,6	109,8	74,72	59,60	51,77	33,38	27,94	13,89

## **X-ON Electronics**

Largest Supplier of Electrical and Electronic Components

*Click to view similar products for [Sealed Lead Acid Battery](#) category:*

*Click to view products by [Nerbo](#) manufacturer:*

Other Similar products are found below :

[0809-0012](#) [0819-0012](#) [0850-0004](#) [0859-0012](#) [0800-0004](#) [LC-R0612P](#) [LC-R061R3P](#) [PS-1250F1](#) [APCRBC123](#) [APCRBC124](#) [LCRA1212P](#)  
[NP12-12](#) [NP12-6](#) [NP3.2-12](#) [LC-P0612P](#) [LC-R063R4P](#) [LC-R067R2P1](#) [LC-R122R2P](#) [LC-R0612P1](#) [LC-R127R2P1](#) [LC-X1220AP](#) [UP-](#)  
[VW1245P1](#) [2320296](#) [RBC32](#) [RBC11A](#) [RBC36-SLT](#)