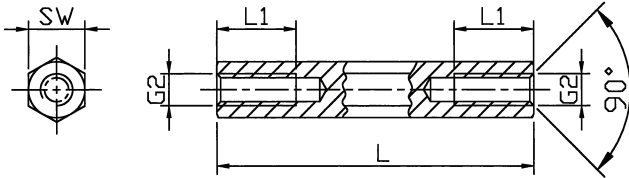


Support Post (Metric)

Spacer Bolts DII

[Polyamide, metric thread]



Thread lengths [mm]

Thread G2	L (mm)	L1 (mm)
M2/M2.5	to 14	Dead-end thread
	15-20	half length
	from 21	10
M3	to 15	Dead-end thread
	16-20	half length
	from 21	10
M4/M5/M6	to 20	Dead-end thread
	from 21	10



Spacer bolts

Type hexagonal
 Styles internal / internal
 Material Polyamide 6.0 GV / DMS 825
 Colour black
 Standard Pack from 100 pcs

Contact resistance DIN 53 482: $>10^{12}$ Ohm/cm

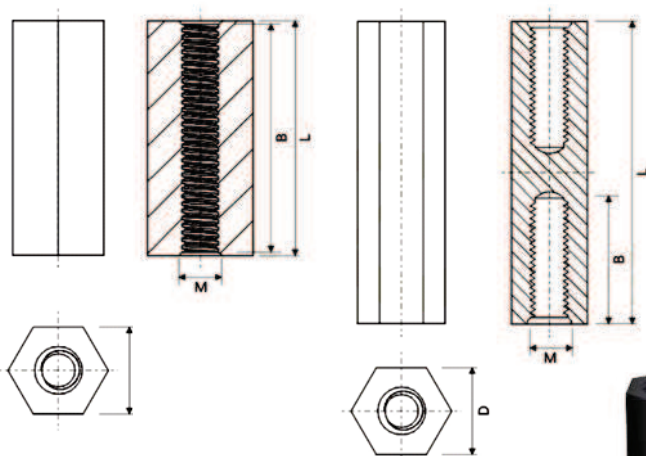
Dielectric strength DIN 54 481: 40 kV/mm

Tolerance for length dimensions: +/- 0,1 mm

Order No.	SW (hexagonal)	Thread	Standard lengths in mm-increments
181 x (length)	SW 5	M2	from 5 mm to 45 mm
182 x	SW 5	M2,5	from 4 mm to 55 mm
185 x	SW 6	M3	from 5 mm to 65 mm
187 x	SW 8	M4	from 5 mm to 68 mm
188 x	SW 10	M5	from 5 mm to 65 mm
189 x	SW 10	M6	from 4 mm to 65 mm

SW: width across flats
 GV: Glass fibre reinforced

[Polyamide, metric thread]



"B" unilateral = 10 mm
 "L" < 20 mm = Perforation
 "L" > 20 mm = Blind hole



Spacer bolts

Type thread / thread
 Styles internal / internal
 Material Nylon 6 glass filled HB / DMS 817
 Colour black / natural
 Unit mm
 Standard Pack 1.000 pcs

Standard Lengths "L" in 1 mm increments available

Order No.	Colour	"B"	"D"	"L"	"M"	
8G512M2x5.0	B	N	5.0	5.0	M2	
8G512M2x10.0	B	N	10.0	5.0	M2	
8G512M2x13.0	B	N	13.0	5.0	M2	
8G512M2.5x20.0	B	N	20.0	5.0	M2.5	
8G512M3x10.0	B	N	10.0	6.0	M3	
8G512M3x24.0	B	N	10.0	6.0	24.0	M3
8G512M4x16.0	B	N	16.0	8.0	M4	
8G512M4x20.0	B	N	20.0	8.0	M4	

Ordering example: 8G512M2x5.0B for black
 8G512M2x5.0N for natural

X-ON Electronics

Largest Supplier of Electrical and Electronic Components

Click to view similar products for [Standoffs & Spacers](#) category:

Click to view products by [Dremec](#) manufacturer:

Other Similar products are found below :

[M0516-3-N](#) [M0518-3-N](#) [M0521-3-N](#) [M0524-3-N](#) [M0532-35-N](#) [M0543-4-AL](#) [M0544-3-N](#) [M0545-3-AL](#) [M0553-3-N](#) [M0564-4-N](#) [M0608-5-SS](#) [M0609-5-SS](#) [M0610-35-AL](#) [M0613-3-N](#) [M0653-35-N](#) [M0654-4-SS](#) [M0655-5-AL](#) [M0660-4-AL](#) [M0660-4-N](#) [M0670-35-N](#) [M0671-5-N](#) [M0671-5-SS](#) [M0722-5-N](#) [M0725-6-N](#) [M0731-4-N](#) [M0904-B-25-AL](#) [M1273-2545-AL](#) [M1273-3005-AL](#) [M1274-3005-AL](#) [M1303-3506-AL](#) [M1307-3506-AL](#) [M1313-3005-N](#) [M1313-4007-AL](#) [M1314-3005-AL](#) [M1314-3005-SS](#) [M1315-3005-SS](#) [M1315-4007-N](#) [M1317-3506-AL](#) [M1317-4007-SS](#) [M1318-3005-SS](#) [M1320-3005-AL](#) [M1320-3005-N](#) [M1321-3005-SS](#) [M1321-4007-AL](#) [M1322-4007-N](#) [M1324-3005-N](#) [M1326-3005-AL](#) [M1326-4007-SS](#) [M1331-4007-SS](#) [M1577-B-4007-B](#)