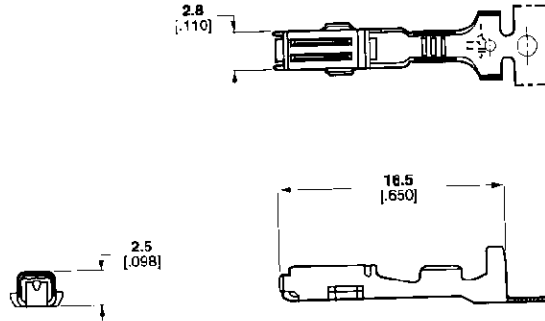




Contacts

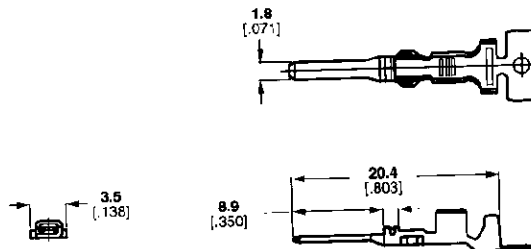
Receptacles (for use with Plug Assemblies)



Wire Range		Wire Ins. Dia.*	Material and Finish	Part Number	Tooling	
AWG	mm ²				Applicator	Hand Tool
20-14	0.50-2.0	1.2-2.7	Phos. Bro./Select Gold Phos. Bro./Pre-tin	184030-1 184030-3	Contact Tooling Assistance Center for Hand Tool and Applicator/Power Source Combinations	
22-18	0.30-1.00	1.2-2.1	Phos. Bro./Select Gold Phos. Bro./Pre-tin	184095-1 184095-2		

*For other size wire availability, contact Product Engineering.

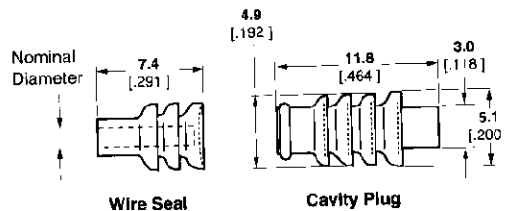
Tabs (for use with Cap Housings)



Wire Range		Wire Ins. Dia.	Material and Finish	Part Number	Tooling	
AWG	mm ²				Applicator	Hand Tool
20-16	0.50-1.25	2.0-2.6	Brass/Pre-tin Brass/Select Gold	171661-1 171661-5	Contact Tooling Assistance Center for Hand Tool and Applicator/Power Source Combinations	
24-20	0.22-0.50	1.4-2.4	Brass/Pre-tin Brass/Select Gold	171631-1 171631-2		

Wire Seal (Crimp with Contact)

Cavity Plug (for Unloaded Cavity)



Description	Wire Insulation Diameter	Material (color)	Part Number	Nominal Diameter
Wire Seal	1.2-1.7	Silicone (blue)	184139-1	0.9
	1.6-2.1	Silicone (orange)	184140-1	1.3
	2.2-2.7	Silicone (purple)	184141-1	1.9
Cavity Plug	—	NBR (black)	172748-1	—
	—	NBR (gray)	172748-2	—

X-ON Electronics

Largest Supplier of Electrical and Electronic Components

Click to view similar products for te connectivity manufacturer:

Other Similar products are found below :

[570416-000](#) [CLTEQ-M81CE-SSRELAY-4-20V](#) [4-1633138-8](#) [D38999/24FJ4AN](#) [4-1195131-0](#) [650069-000](#) [SMD100-2](#) [2EDL4CM](#)
[DTS20W19-11PD-3028](#) [DTS20W19-11PD-3028-LC](#) [DTS20W19-32SD-3028-LC](#) [DTS20W19-32SD-3028](#) [NC6-P104-06](#) [TXR64AB90-](#)
[3616AI](#) [DTS26F21-41HE](#) [DTS26F21-41AE](#) [DTS26F21-41PE-LC](#) [DTS26F21-11SE-3028-LC](#) [D38999/24WF32JE](#) [D38999/24WF32SE-LC](#)
[DTS24W19-32HE](#) [D38999/20JB35HA](#) [D38999/24WJ20PA](#) [164-8033-08](#) [D38999/24FF32JE](#) [D38999/24FF32SE-LC](#) [D38999/24WF32JB](#)
[D38999/24WG11HA](#) [D38999/24WG11HN](#) [MS27467T21F11H](#) [DJT16E21-11HA](#) [DTS24F19-32HE](#) [DTS20W19-32SA-3028-LC](#) [DTS24F19-](#)
[11SC-3028-LC](#) [DTS24F19-11SC-3028](#) [DJT14E13-98HB](#) [D38999/20WC8BB](#) [1-330599-5](#) [DTS24F21-41HN-LC](#) [DTS24F21-41HN](#)
[DTS24F21-41AN](#) [DTS24F21-39HN](#) [DTS24F21-41PN-LC](#) [AFD50-10-6SN-1A-LC](#) [DJT10F17-26HC](#) [DTS24W19-32HB](#) [ACT20JE99HA](#)
[DJT10E17-26HC](#) [DJT10E17-26HN](#) [DJT10F17-26HA](#)