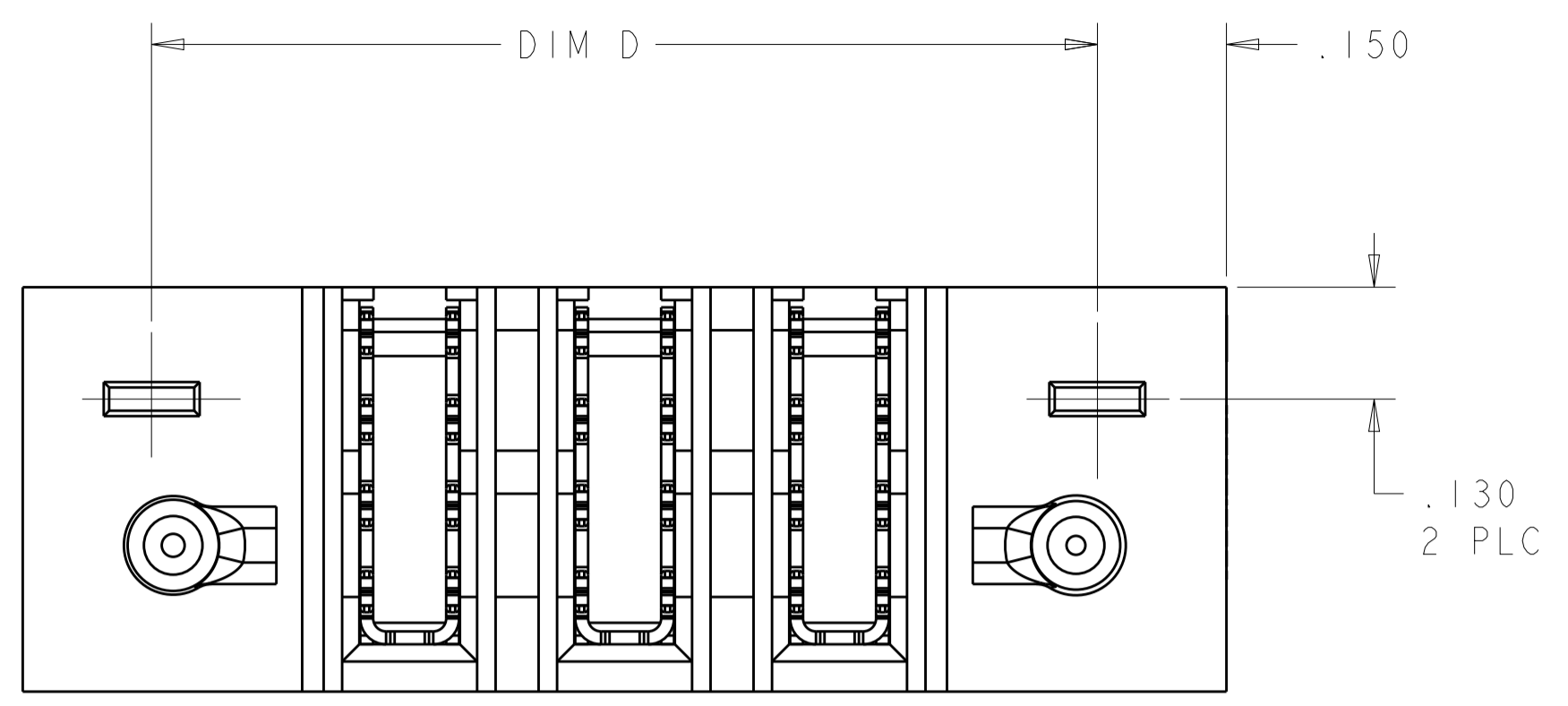
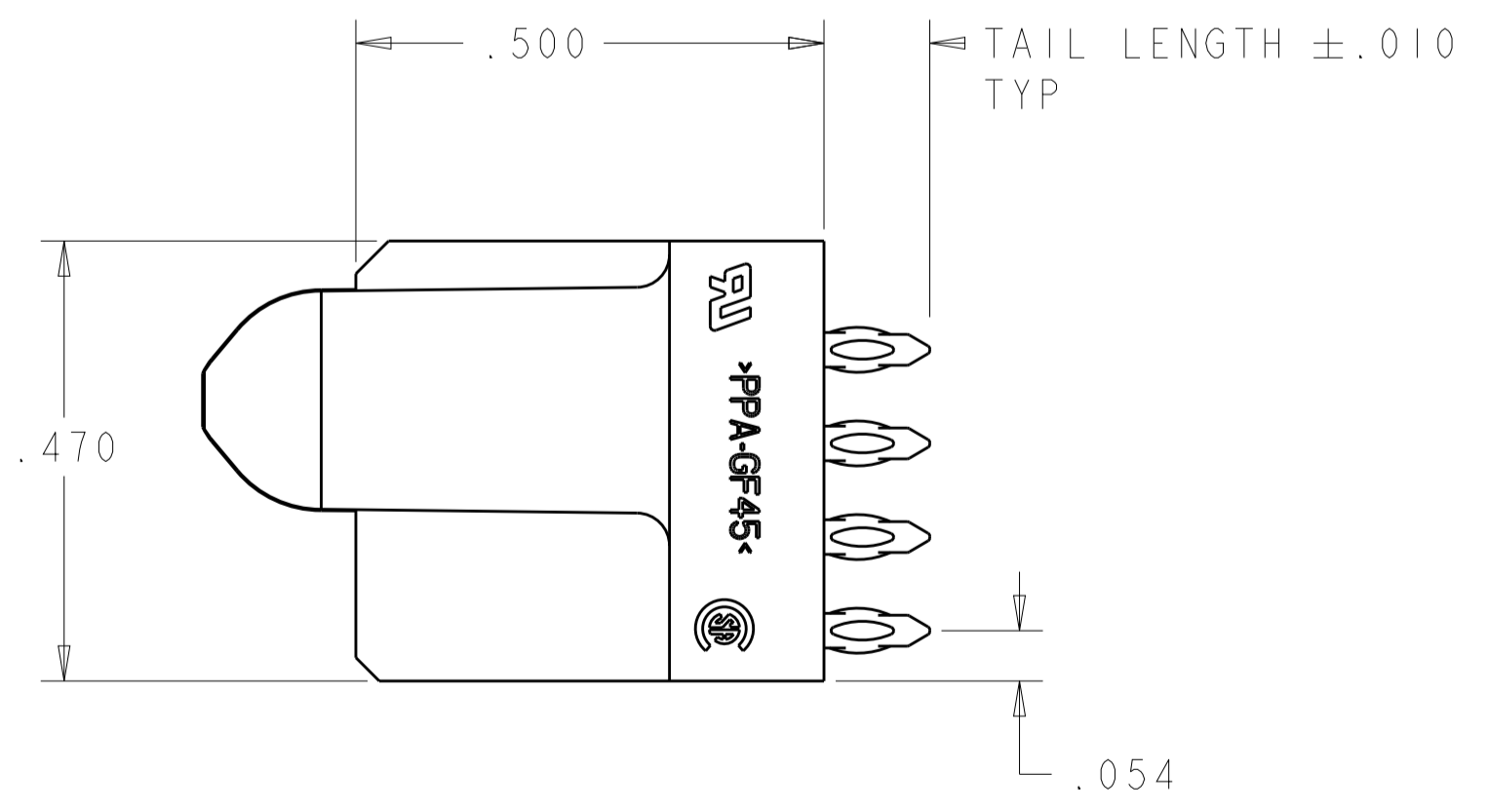
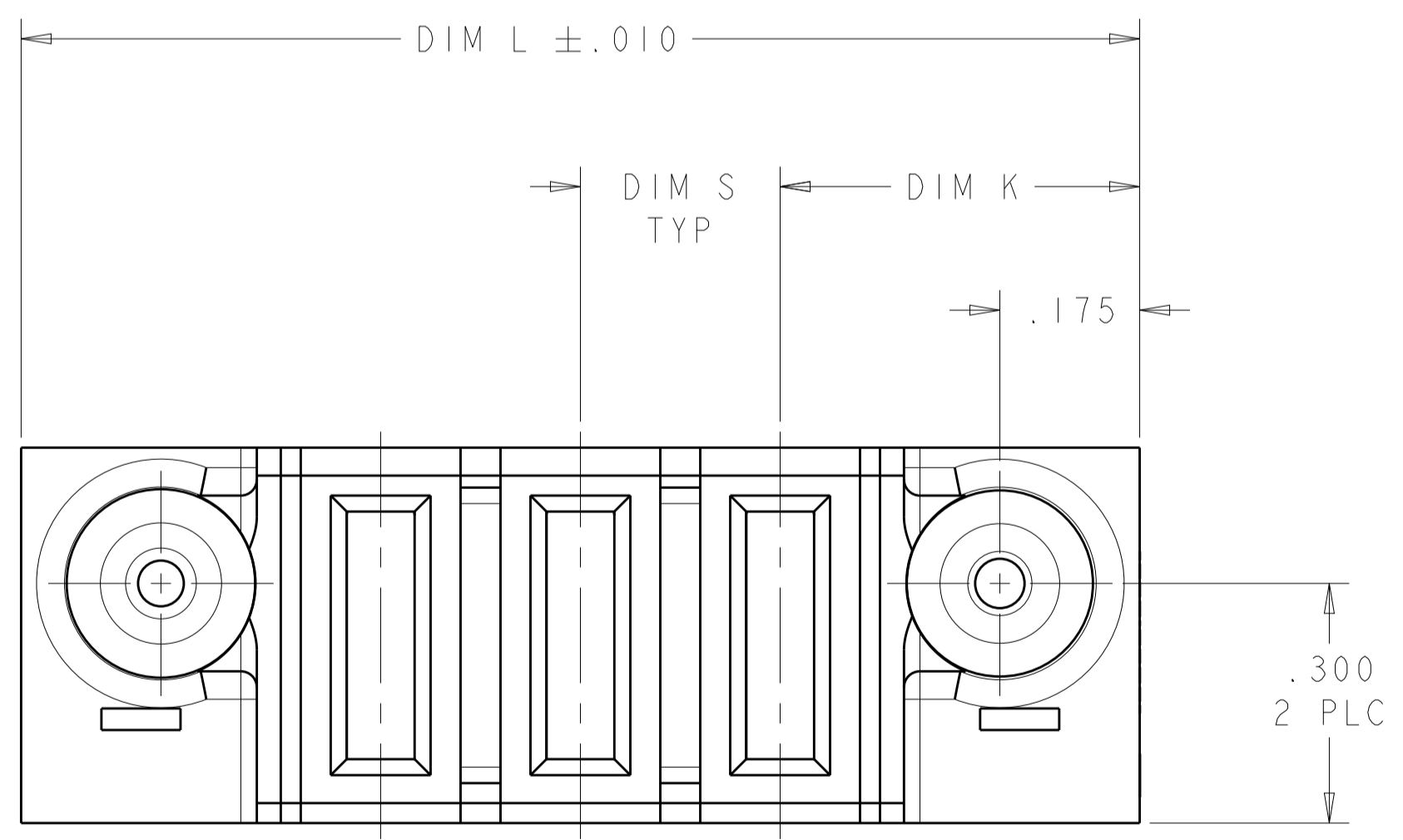
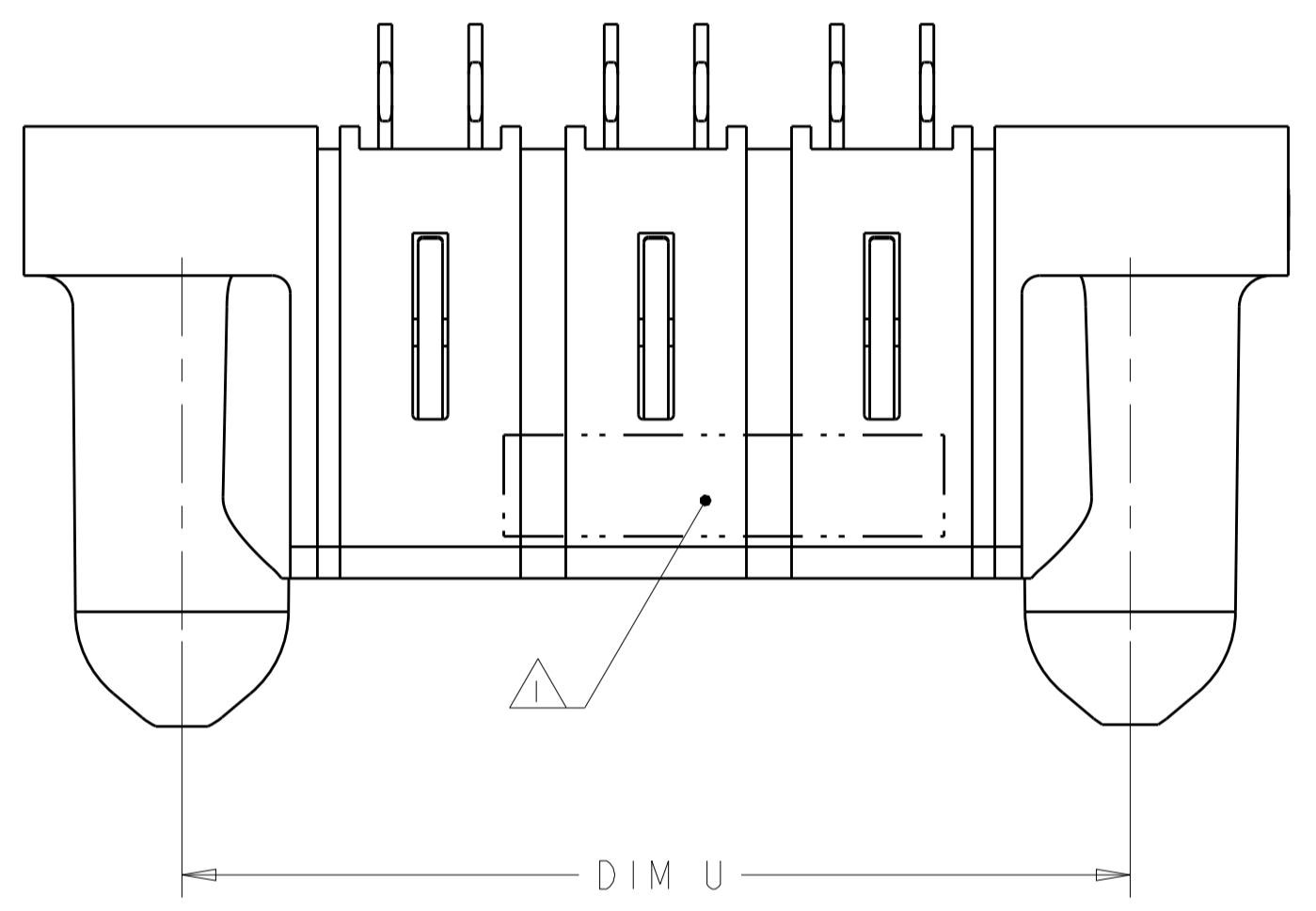


LOC	DIST	REVISIONS			
P	LTH	DESCRIPTION	DATE	DWN	APVD
C5		ADD 1-6450543-3	07MAR2012	OL	SZ



- 1 "AMP", PART NUMBER AND DATE CODE TO BE MARKED IN AREA SHOWN
PARTS 2.00 OR LESS MAYBE MARKED ON BOTH SIDES
- 2 MATERIAL: HOUSING - GLASS FILLED HIGH TEMP THERMO PLASTIC, UL94 V-0
POWER CONTACT - HIGH CONDUCTIVITY COPPER ALLOY
- 3 CONTACT PLATING: NOBLE METAL PLATING ON CONTACT FUNCTIONAL AREA OF POWER AND SIGNAL CONTACTS
- 4 MECHANICAL CONNECTOR KEEP OUT ZONE
- 5 DATUM AND BASIC DIMENSIONS ESTABLISHED BY CUSTOMER
- 6 PCB - ALL HOLE DIMENSIONS ARE FINISHED HOLE SIZES
- 7 PCB - .0453 ±.0010 DRILLED HOLES, PLATED WITH .0003 MIN Sn OVER
.001 TO .003 Cu PLATING TO ACHIEVE A .040 DIA HOLE
- 8 FOR DETAIL DIMENSION, PLEASE REFER TO TALBE.



DIM U	DIM D	DIM S	DIM L	DIM K	DESCRIPTION	PART NUMBER
2.300	2.350	.250	2.650	.450	3P	1-6450543-3
1.200	-	.300	1.550	.475	3ACP	1-6450543-2
5.550	5.600	.200	5.900	.450	26P	1-6450543-1
1.800	1.850	.250	2.150	.450	6P	1-6450543-0
1.800	1.850	.250	2.150	.450	6P	6450543-9
2.550	2.600	.250	2.900	.450	9P	6450543-8
2.150	2.200	.200	2.500	.450	9HDP	6450543-7
1.200	1.250	.300	1.550	.475	3ACP	6450543-6
1.300	1.350	.250	1.650	.450	4P	6450543-5
.800	-	.250	1.150	.450	2P	6450543-4
2.050	-	.250	2.400	.450	7P	6450543-3
1.300	-	.250	1.650	.450	4P	6450543-2
1.050	-	.250	1.400	.450	3P	6450543-1

(C4)

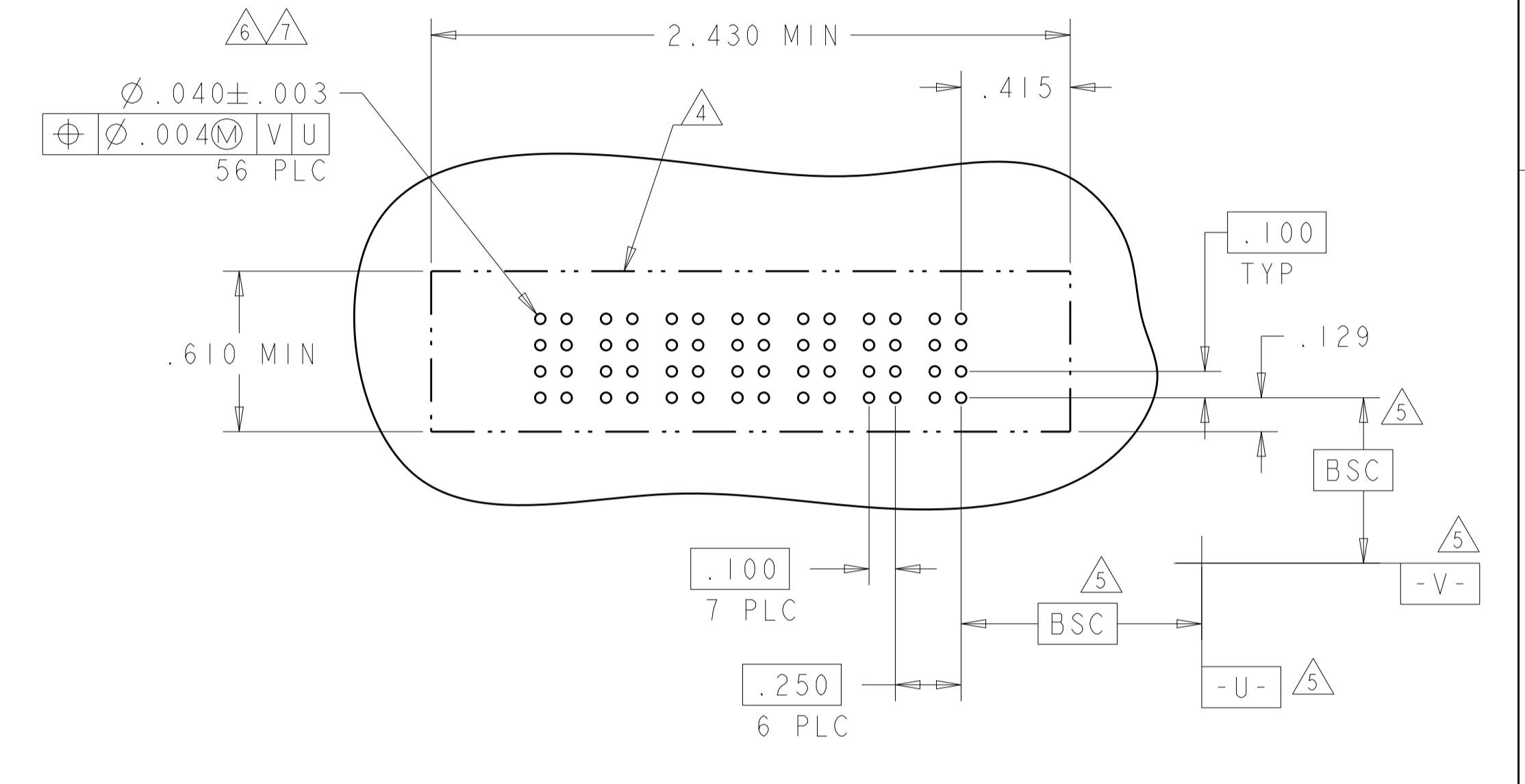
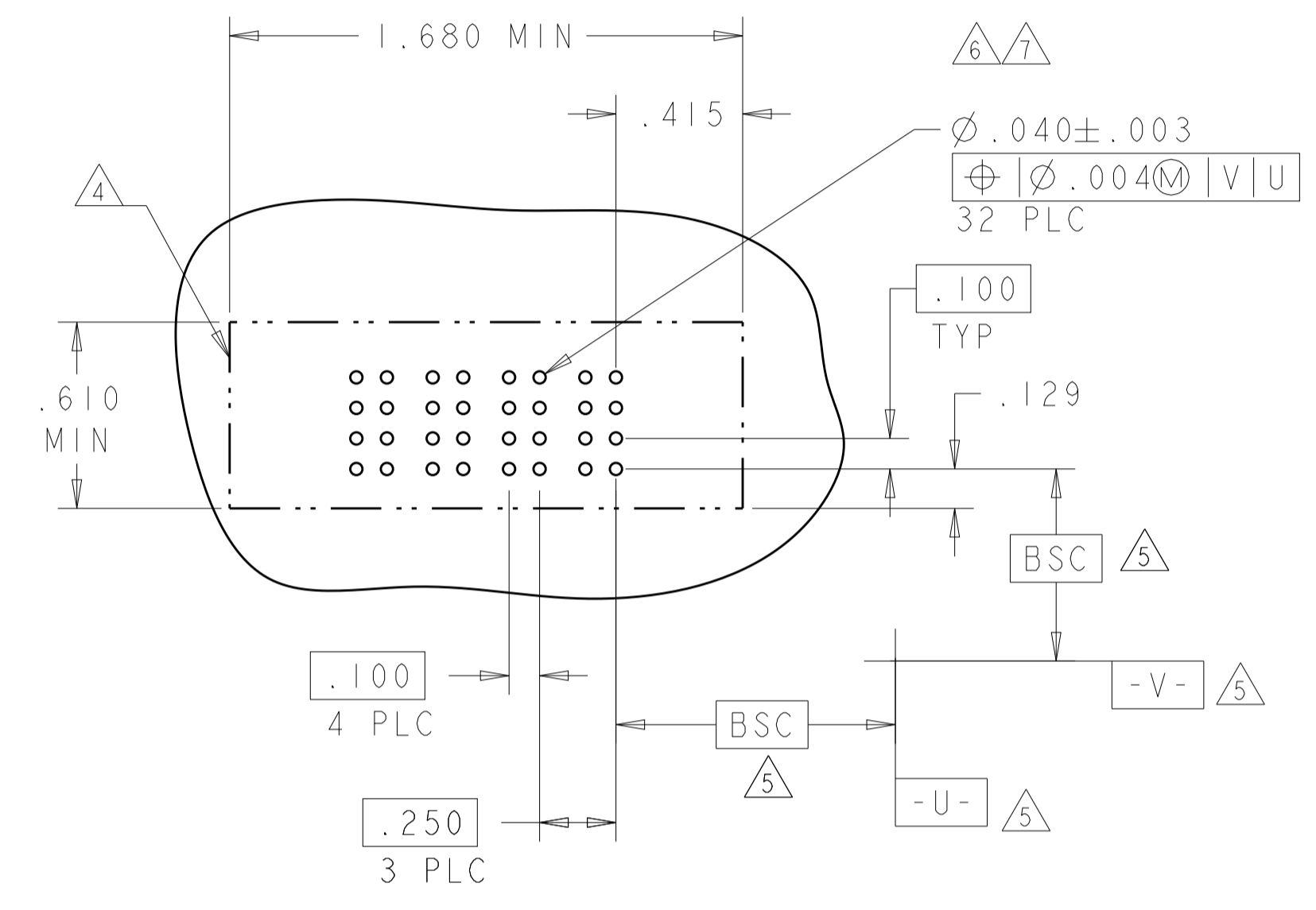
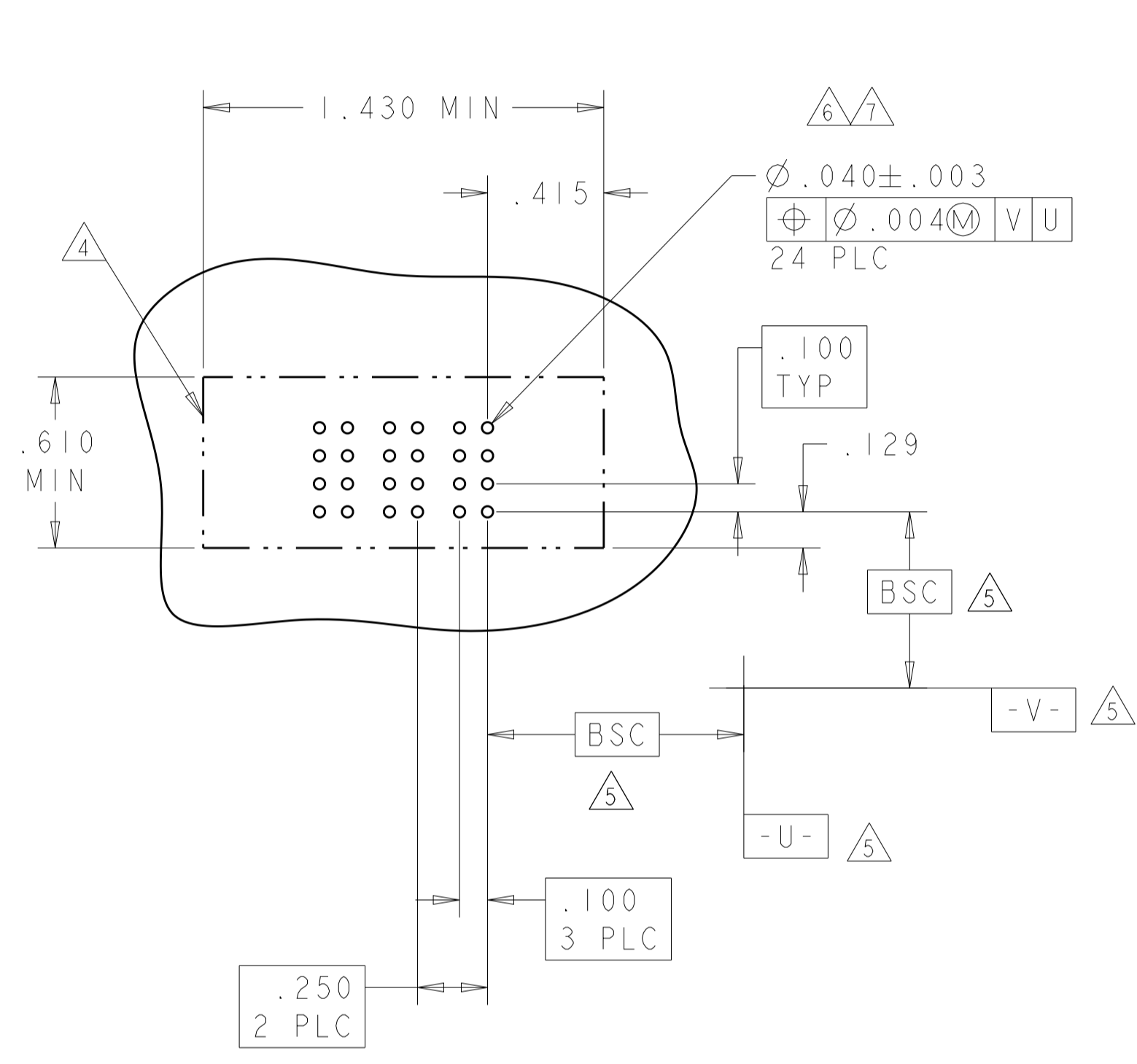
DIMENSIONS: INCHES 		TOLERANCES UNLESS OTHERWISE SPECIFIED: 0 PLC ±. 1 PLC ±.01 2 PLC ±.01 3 PLC ±.005 4 PLC ±.0020 ANGLES ±.020 FINISH		DWN R. GRZYBOWSKI 17MAY05 CHK M. PERCHERKE 17MAY05 APVD M. PERCHERKE PRODUCT SPEC 108-1973 APPLICATION SPEC 114-13038 WEIGHT CUSTOMER DRAWING		Tyco Electronics Corporation Harrisburg, PA 17105-3608 NAME VERTICAL RECEPTACLE ASSEMBLY WITH GUIDES MULTI-BEAM XL SIZE CAGE CODE DRAWING NO A1 00779 C=6450543 SCALE 1:1 SHEET 1 OF 5 REV C5	
---------------------------	--	---	--	---	--	---	--

LOC	DIST	REV	DATE	BY	APPV
GP	00				

PART NUMBER	ROWS	POWER			
		P3	P2	P1	
6450543-1	D C B A	GP	GP	GP	
3P					

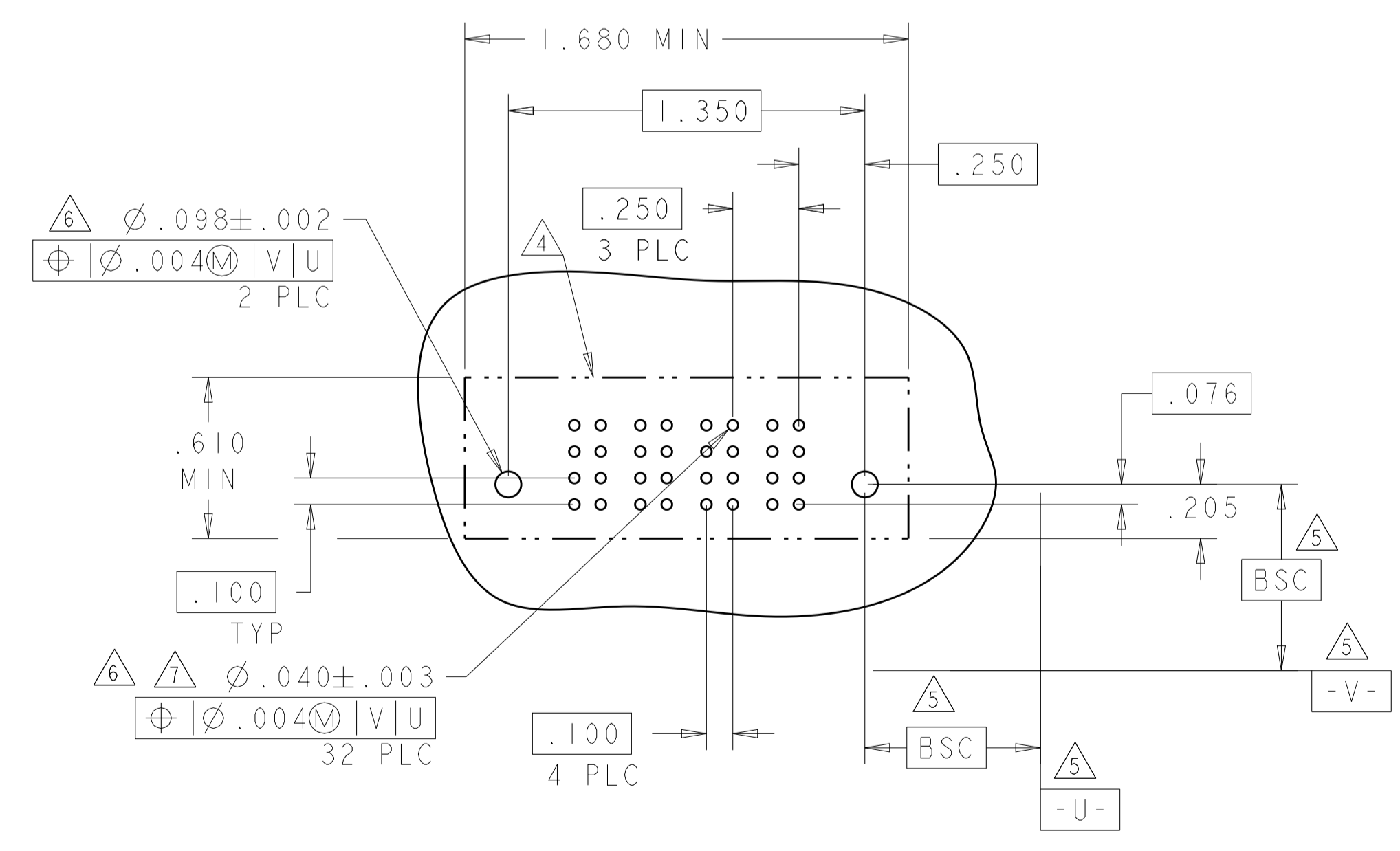
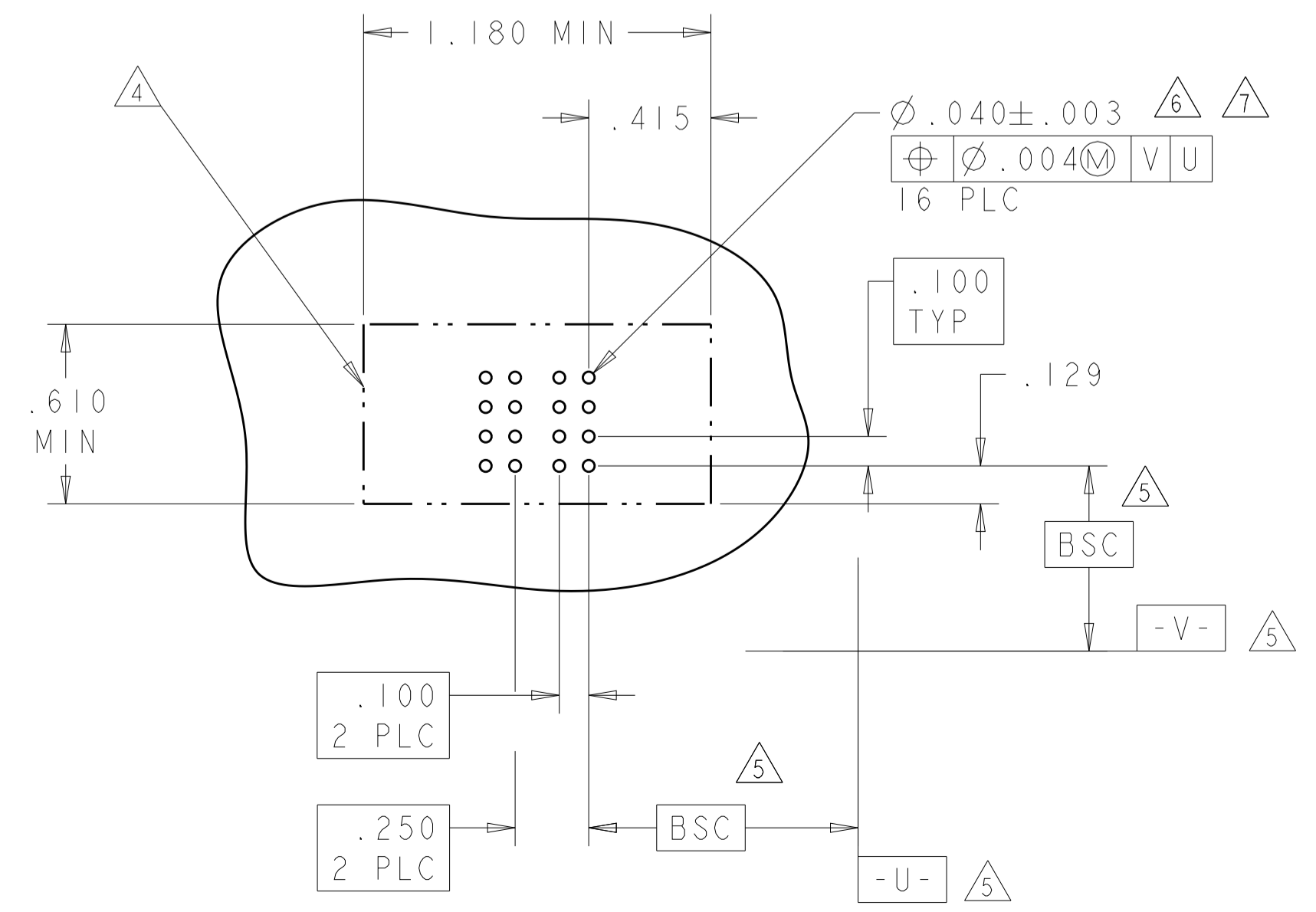
PART NUMBER	ROWS	POWER			
		P4	P3	P2	P1
6450543-2	D C B A	GP	GP	GP	GP
4P					

PART NUMBER	ROWS	POWER						
		P7	P6	P5	P4	P3	P2	P1
6450543-3	D C B A	GP	GP	GP	GP	GP	GP	GP
7P								



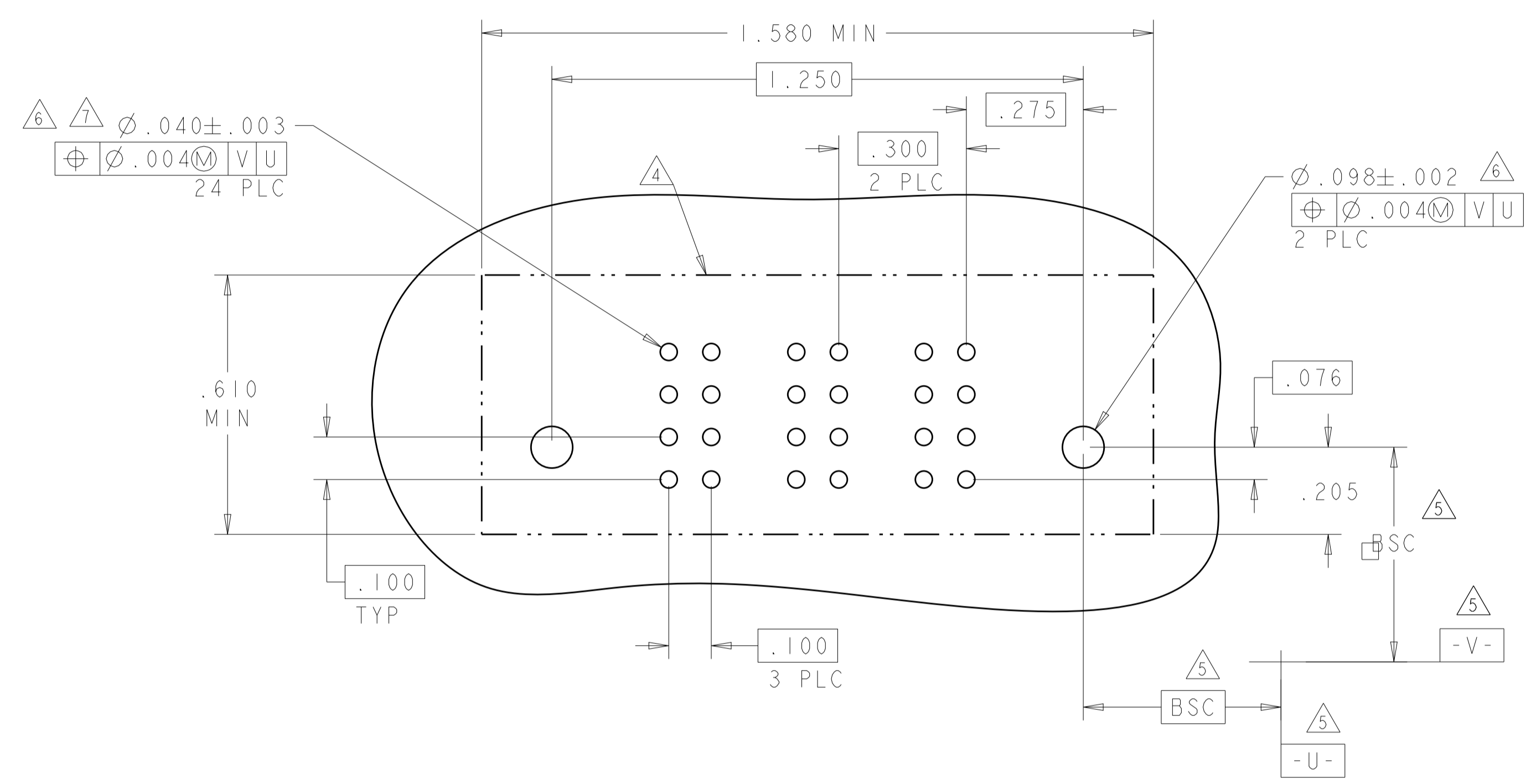
PART NUMBER	ROWS	POWER			
		P4	P3	P2	P1
6450543-5	D C B A	GP	GP	GP	GP
4P					

PART NUMBER	ROWS	POWER	
		P2	P1
6450543-4	D C B A	GP	GP
2P			

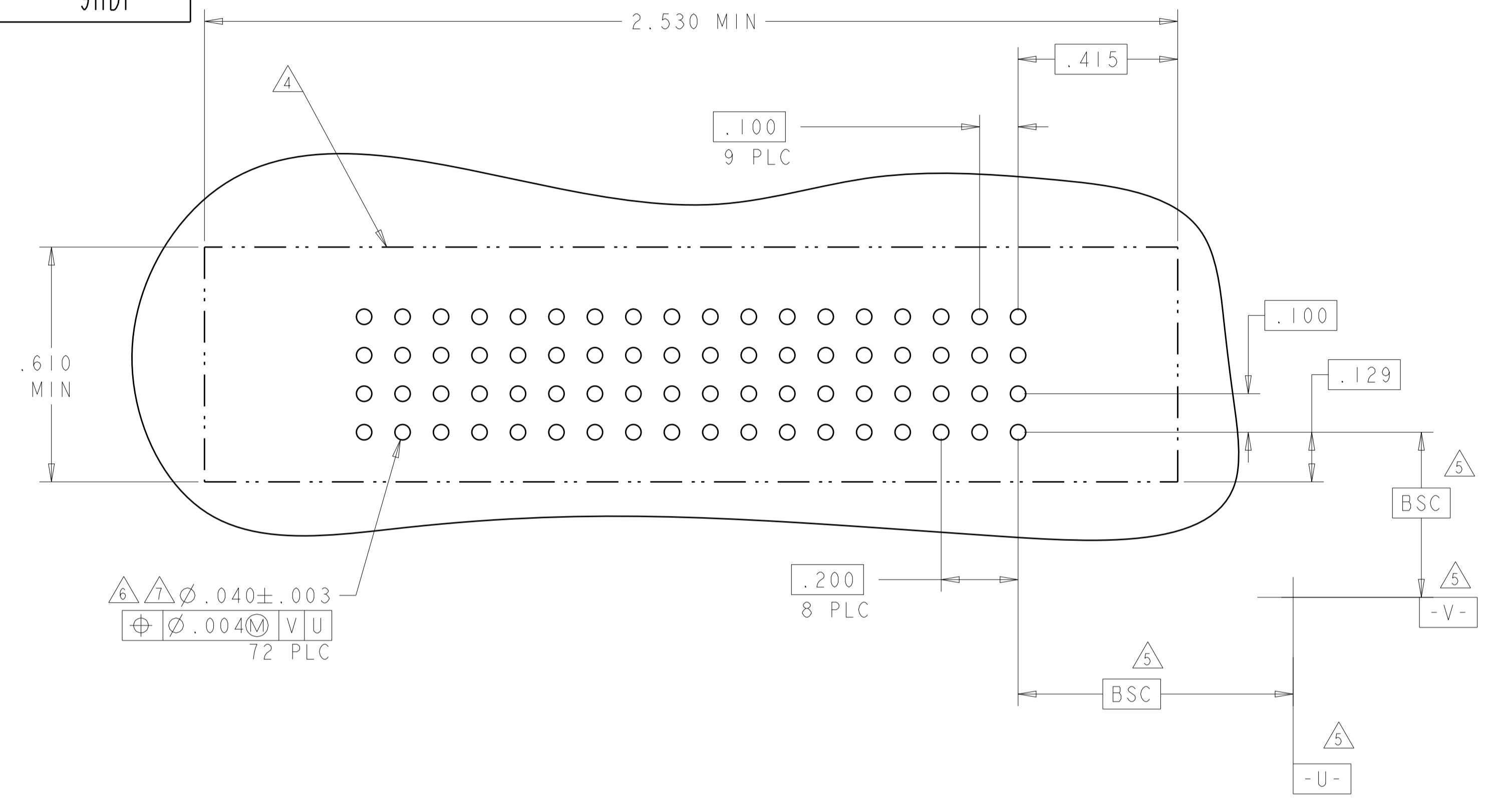


DIMENSIONS: INCHES 		TOLERANCES UNLESS OTHERWISE SPECIFIED: 0 PLC ±. 1 PLC ±.01 2 PLC ±.01 3 PLC ±.005 4 PLC ±.002 ANGLES ±.020		DWN R. GRZYBOWSKI 17MAY05 CHK M. PERCHERKE 17MAY05 APVD M. PERCHERKE PRODUCT SPEC 108-1973 APPLICATION SPEC 114-13038 WEIGHT CUSTOMER DRAWING		Tyco Electronics Corporation Harrisburg, PA 17105-3608 NAME VERTICAL RECEPTACLE ASSEMBLY WITH GUIDES MULTI-BEAM XL SIZE CAGE CODE DRAWING NO A1 00779 C=6450543 RESTRICTED TO SCALE 1:1 SHEET 2 OF 5 REV C5	
---------------------------	--	--	--	---	--	--	--

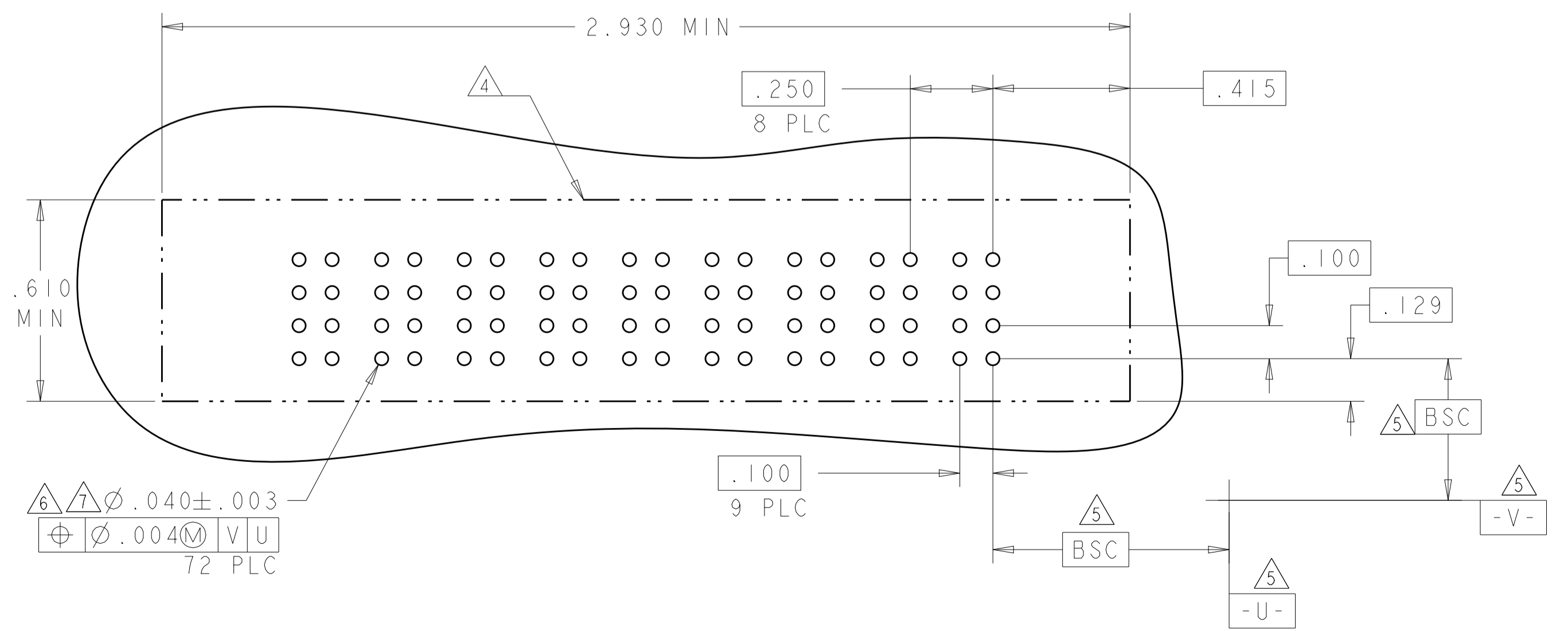
PART NUMBER	ROWS	POWER	POWER		
			P3	P2	P1
6450543-6	DCBA	GS GS GS	GS	GS	GS
3ACP					



PART NUMBER	ROWS	POWER	POWER								
			P9	P8	P7	P6	P5	P4	P3	P2	P1
6450543-7	DCBA	HS HS HS HS HS HS HS HS HS HS	HS	HS	HS	HS	HS	HS	HS	HS	HS
9HDP											

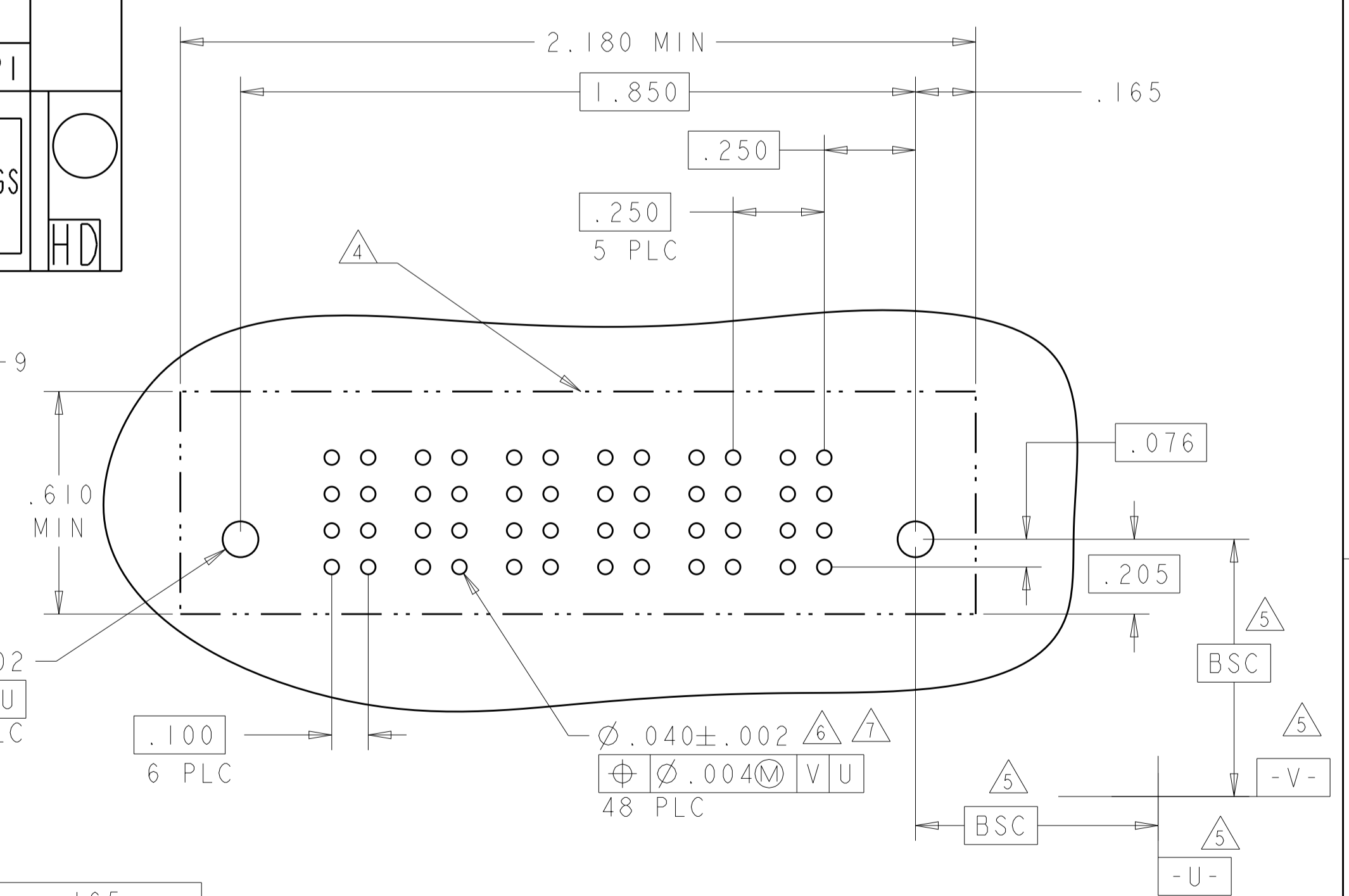


PART NUMBER	ROWS	POWER	POWER								
			P9	P8	P7	P6	P5	P4	P3	P2	P1
6450543-8	DCBA	GS GS GS GS GS GS GS GS GS GS	GS	GS	GS	GS	GS	GS	GS	GS	GS
9P											



PART NUMBER	ROWS	POWER	POWER					
			P6	P5	P4	P3	P2	P1
6450543-9	DCBA	GS GS GS GS GS GS	GS	GS	GS	GS	GS	GS
6P								

THE PCB LAYOUT IS FOR P/N 6450543-9
ADN 6450543-10.



HS	STD	.165
GS	STD	.135
GP	MFBL	.135
VS	STD	.115
VP	MFBL	.115
CODE	PRESS FIT	TAIL LENGTH
POWER CONTACT		

<p>THIS DRAWING IS UNPUBLISHED. RELEASED FOR PUBLICATION. COPYRIGHT 20 BY TYCO ELECTRONICS CORPORATION. ALL RIGHTS RESERVED.</p> <p>DIMENSIONS: INCHES</p> <p>TOLERANCES UNLESS OTHERWISE SPECIFIED:</p> <p>0 PLC ±.01 1 PLC ±.01 2 PLC ±.01 3 PLC ±.005 4 PLC ±.002 ANGLES ±.002</p> <p>MATERIAL: . FINISH: .</p>	<p>OWN: R. GRZYBOWSKI 17MAY05 CHK: M. PERCHERKE 17MAY05 APVD: M. PERCHERKE PRODUCT SPEC 108-1973 APPLICATION SPEC 114-13038</p> <p>WEIGHT: . CUSTOMER DRAWING</p>	<p>Tyco Electronics Corporation Harrisburg, PA 17105-3608</p> <p>NAME: VERTICAL RECEPTACLE ASSEMBLY WITH GUIDES MULTI-BEAM XL</p> <p>SIZE: A1 CAGE CODE: 00779 DRAWING NO: 6450543</p> <p>RESTRICTED TO: . SCALE: 1:1 SHEET: 3 OF 5 REV: C5</p>
--	---	---

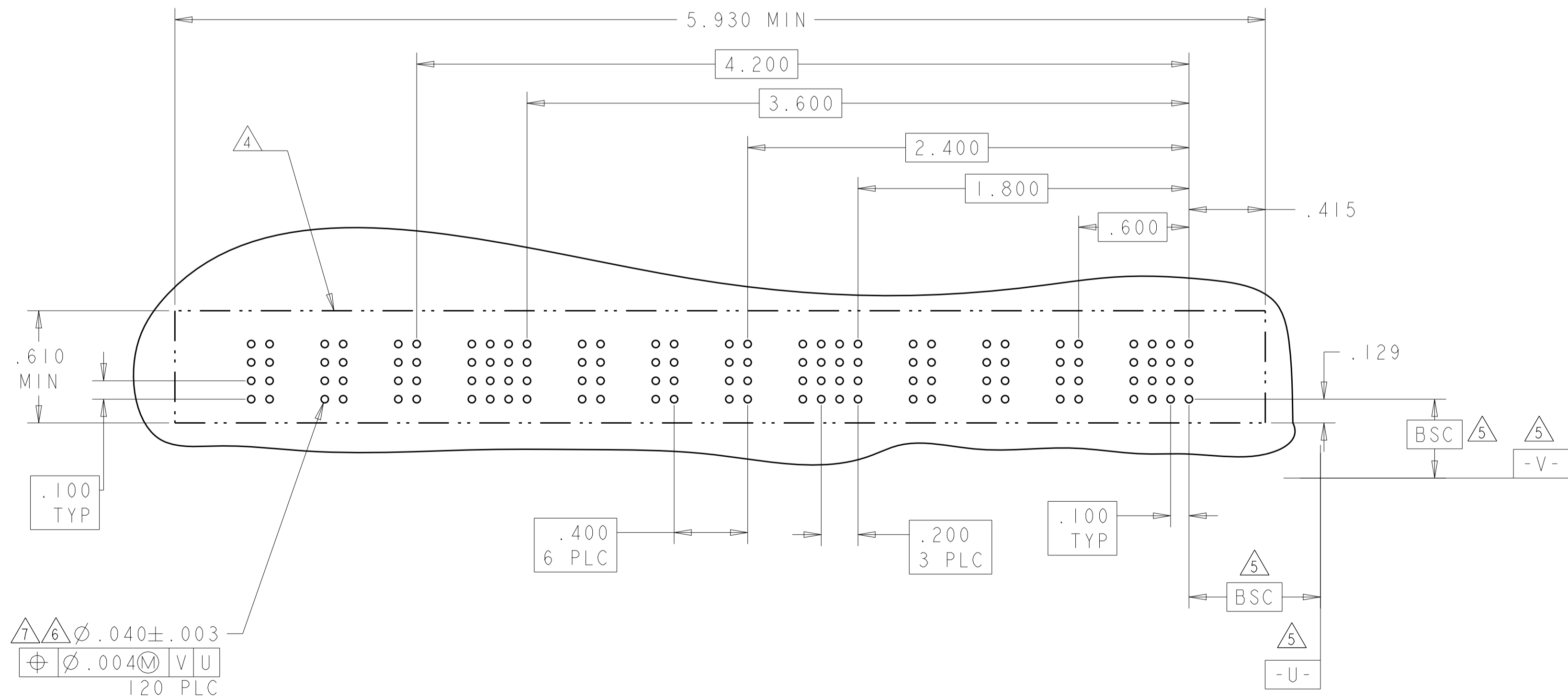
LOC	DIST	REVISIONS			
P	LTN	DESCRIPTION	DATE	DWN	APVD
-	-	SEE SHEET 1	-	-	-

PART NUMBER	ROWS	POWER							
		P6	P5	P4	P3	P2	P1		
1-6450543-0	D C B A	○	VS	VS	VS	VS	VS	VS	○
		HD							HD
6P									

PCB LAYOUT IS THE SAME AS PN 6450543-9'S, PLEASE REFER TO SHEET 3.

PART NUMBER	ROWS	POWER																										
		P26	P25	P24	P23	P22	P21	P20	P19	P18	P17	P16	P15	P14	P13	P12	P11	P10	P9	P8	P7	P6	P5	P4	P3	P2	P1	
1-6450543-1	D C B A	○	GP	GS	GP	GS	GP	GS	GP	GS	GP	GS	GP	GS	GP	GS	GP	GS	GP	GS	GP	GS	GP	GS	GP	GS	GP	○
26P																												

NO CONTACTS LOADED

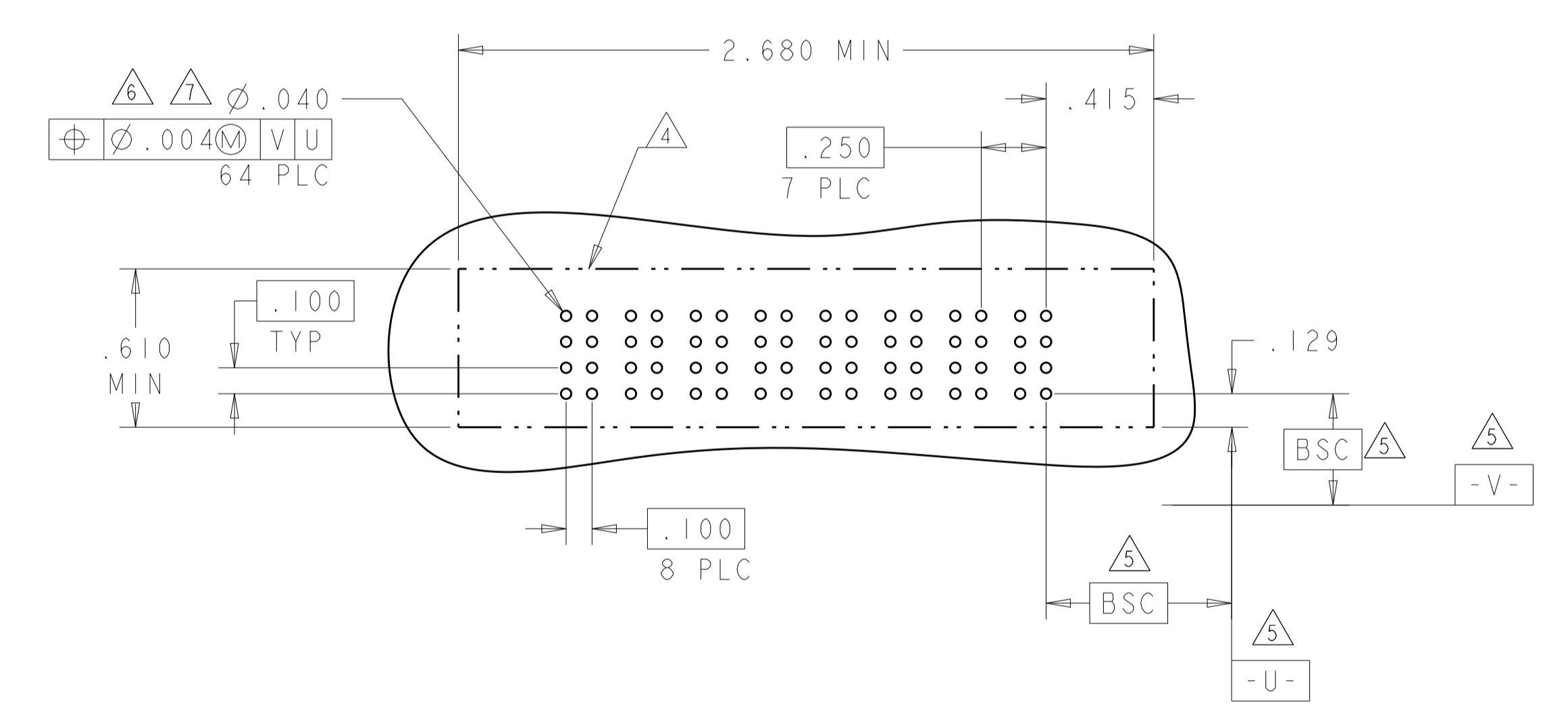
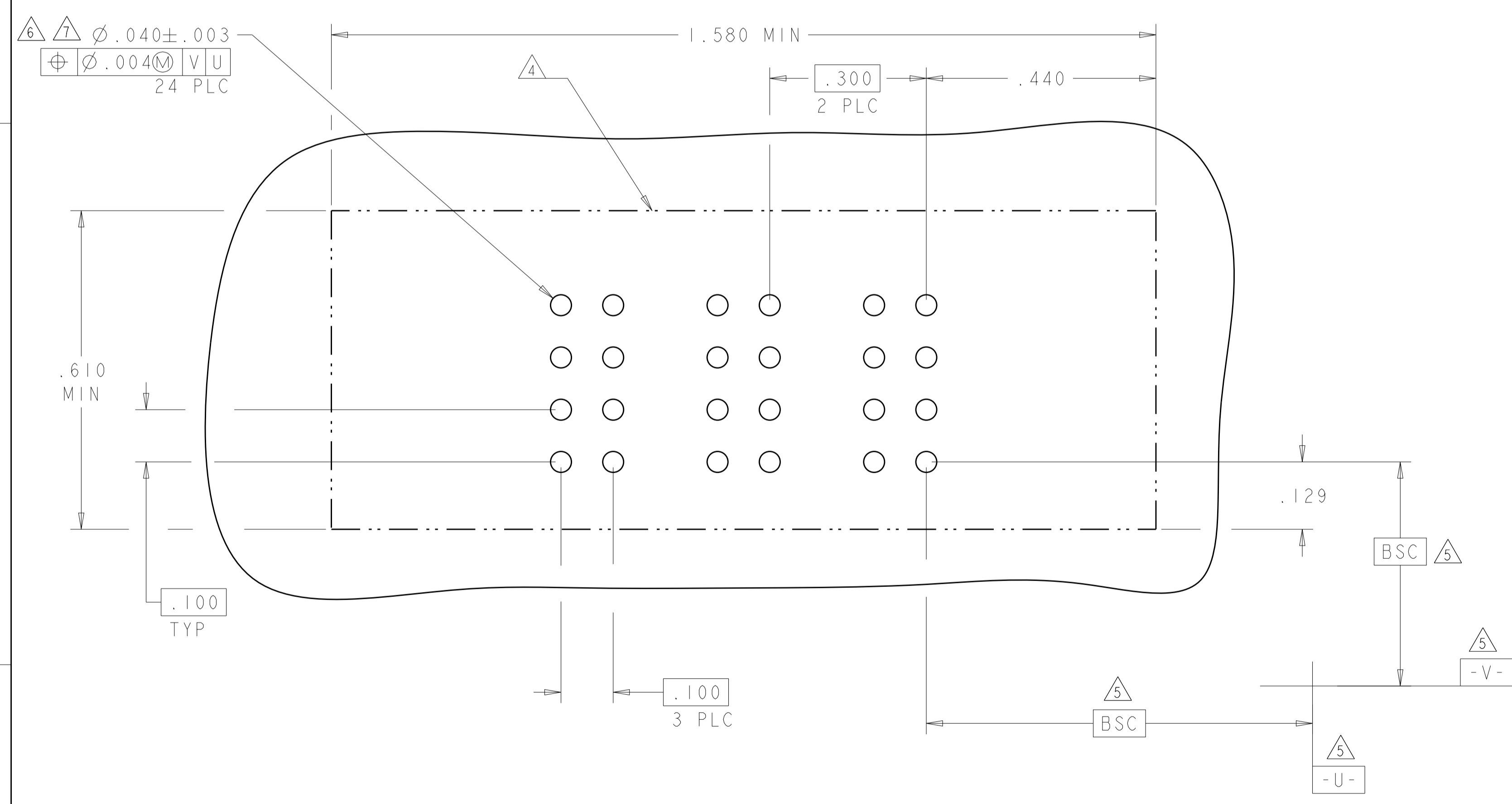


<small>THIS DRAWING IS UNPUBLISHED. RELEASED FOR PUBLICATION BY TYCO ELECTRONICS CORPORATION. ALL RIGHTS RESERVED.</small>		DWN: R. GRZYBOWSKI 17MAY05 CHK: M. PERCHERKE 17MAY05 APVD: M. PERCHERKE	Tyco Electronics Corporation Harrisburg, PA 17105-3608
DIMENSIONS: INCHES	TOLERANCES UNLESS OTHERWISE SPECIFIED: 0 PLC ±. 1 PLC ±.01 2 PLC ±.01 3 PLC ±.005 4 PLC ±.0020 ANGLES ±.7°	NAME: VERTICAL RECEPTACLE ASSEMBLY WITH GUIDES MULTI-BEAM XL PRODUCT SPEC: 108-1973 APPLICATION SPEC: 114-13038 WEIGHT: -	SIZE: A CAGE CODE: 00779 DRAWING NO: 6450543 RESTRICTED TO: -
MATERIAL: -	FINISH: -	WEIGHT: -	SCALE: 1:1 SHEET 4 OF 5 REV: C5
CUSTOMER DRAWING			

LOC	DIST	REVISIONS			
P	LTN	DESCRIPTION	DATE	DWN	APVD
-	-	SEE SHEET 1	-	-	-

PART NUMBER	ROWS	POWER		
		P3	P2	P1
1-6450543-2	D C B A	GS	GS	GS
3ACP				

PART NUMBER	ROWS	POWER							
		P8	P7	P6	P5	P4	P3	P2	P1
1-6450543-3	D C B A	GS	GS	GS	GS	GS	GS	GS	GS
8P									



<small>THIS DRAWING IS UNPUBLISHED. RELEASED FOR PUBLICATION. IT IS THE POLICY OF TYCO ELECTRONICS CORPORATION TO CONTINUE TO IMPROVE ITS PRODUCTS. THEREFORE, THIS DRAWING IS SUBJECT TO CHANGE WITHOUT NOTICE AND WITHOUT OBLIGATION TO NOTIFY OR ASSIST OTHERS IN THEIR PURCHASE OR REPAIRS.</small>		DWN: R. GRZYBOWSKI 17MAY05 CHK: M. PERCHERKE 17MAY05 APVD: M. PERCHERKE	Tyco Electronics Corporation Harrisburg, PA 17105-3608
DIMENSIONS: INCHES	TOLERANCES UNLESS OTHERWISE SPECIFIED: 0 PLC ±. 1 PLC ±.01 2 PLC ±.01 3 PLC ±.005 4 PLC ±.0020 ANGLES ±.7°	NAME: VERTICAL RECEPTACLE ASSEMBLY WITH GUIDES MULTI-BEAM XL PRODUCT SPEC: 108-1973 APPLICATION SPEC: 114-13038 WEIGHT: - MATERIAL: - FINISH: -	SIZE: A CAGE CODE: 00779 DRAWING NO: 6450543 SCALE: 1:1 SHEET: 5 OF 5 REV: C5
CUSTOMER DRAWING		RESTRICTED TO: -	

X-ON Electronics

Largest Supplier of Electrical and Electronic Components

Click to view similar products for [Power to the Board](#) category:

Click to view products by [TE Connectivity](#) manufacturer:

Other Similar products are found below :

[10131318-08512GRLF](#) [6450171-4](#) [6450552-7](#) [6600323-8](#) [6643429-1](#) [6646040-2](#) [6651939-1](#) [6766604-1](#) [120959-1](#) [1393557-2](#) [1393532-2](#)
[1393532-3](#) [1393532-4](#) [1393557-1](#) [1600812-5](#) [1-6450861-2](#) [1645595-1](#) [1743490-1](#) [1744132-7](#) [1761122-1](#) [1766169-1](#) [1766250-1](#) [18362](#)
[1892109-1](#) [1-967627-6](#) [2226808-1](#) [2-6450860-5](#) [2-6450860-6](#) [2-6450870-0](#) [93003-0502](#) [953552-1](#) [1-6450161-4](#) [1-6450850-6](#) [1645526-2](#) [1-](#)
[6600130-0](#) [1743419-1](#) [1766150-1](#) [2005243-2](#) [211110-1](#) [2-6600130-2](#) [TE34-12-16P-F0](#) [51700-10201602AALF](#) [5-6450830-6](#) [5646956-4](#)
[36662-0005](#) [40585-3000](#) [4-6450830-9](#) [4-6600333-3](#) [51142-0214](#) [10125416-4050LF](#)