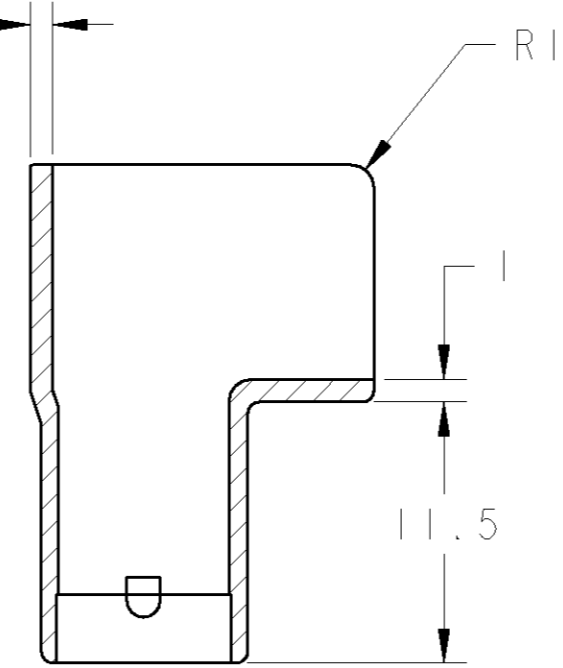
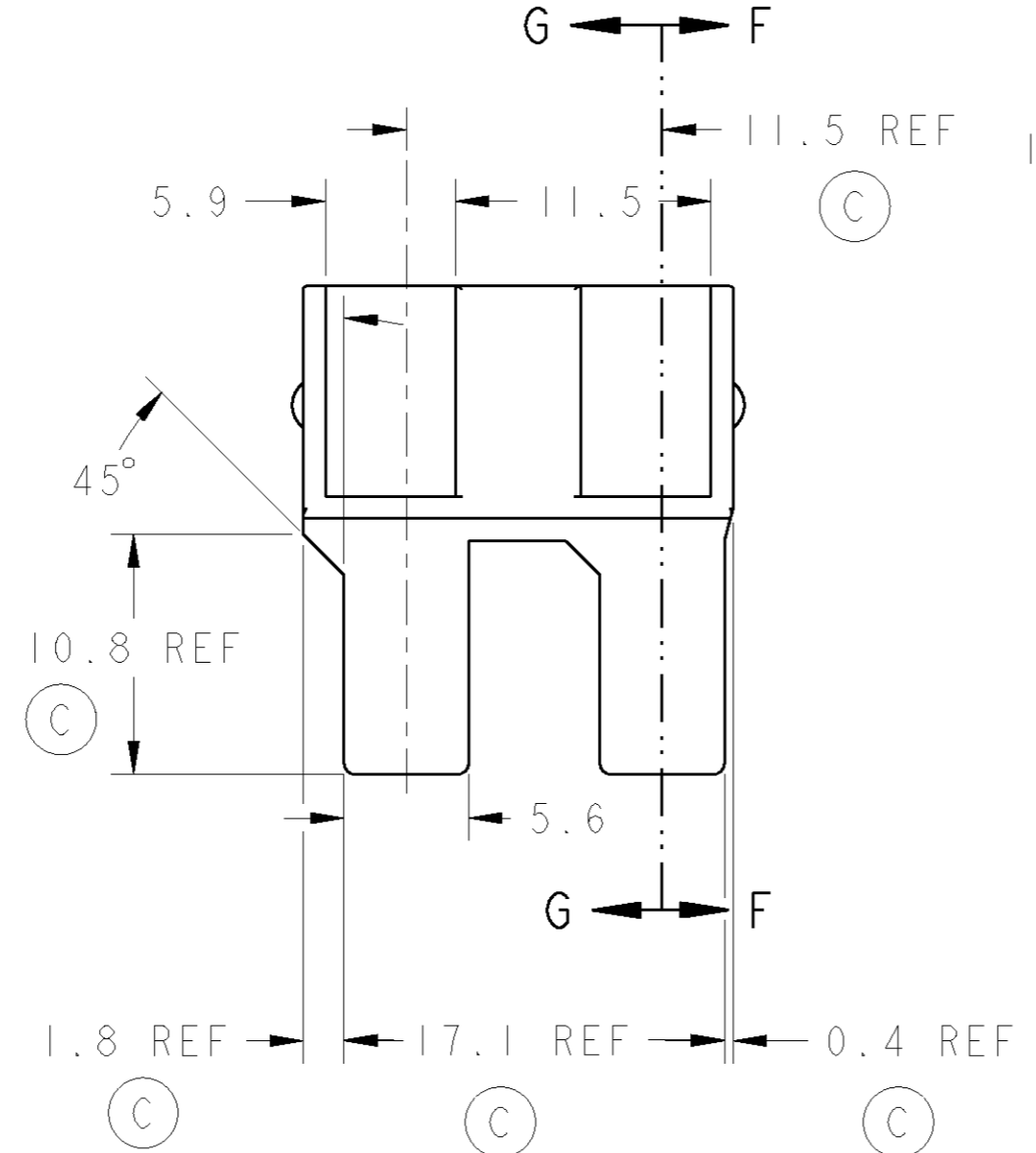
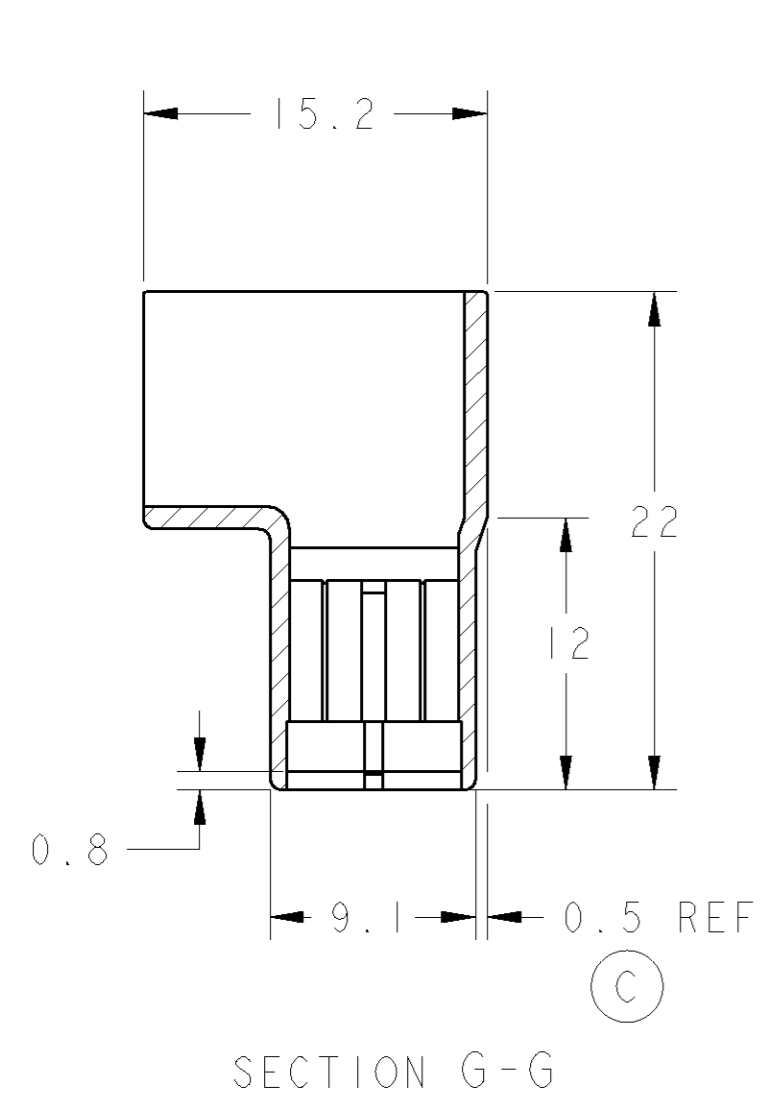
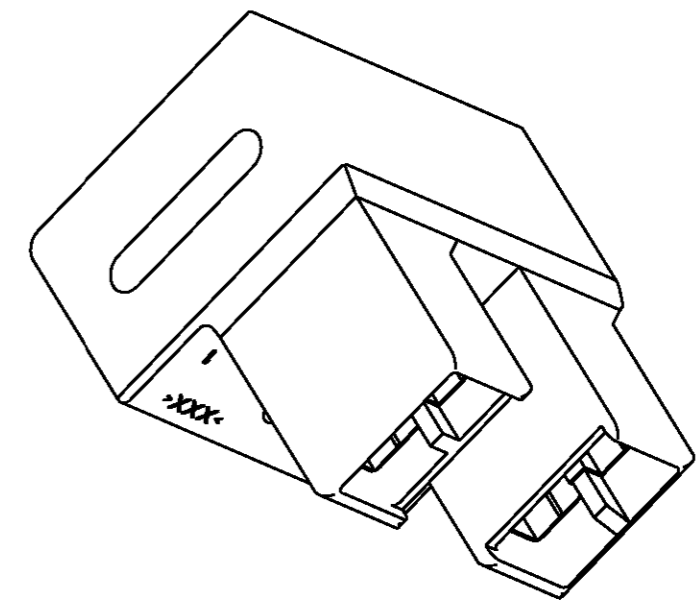
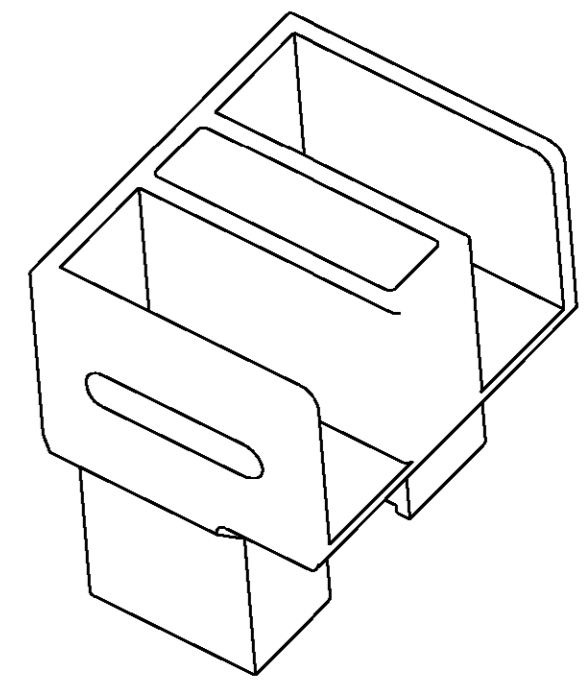
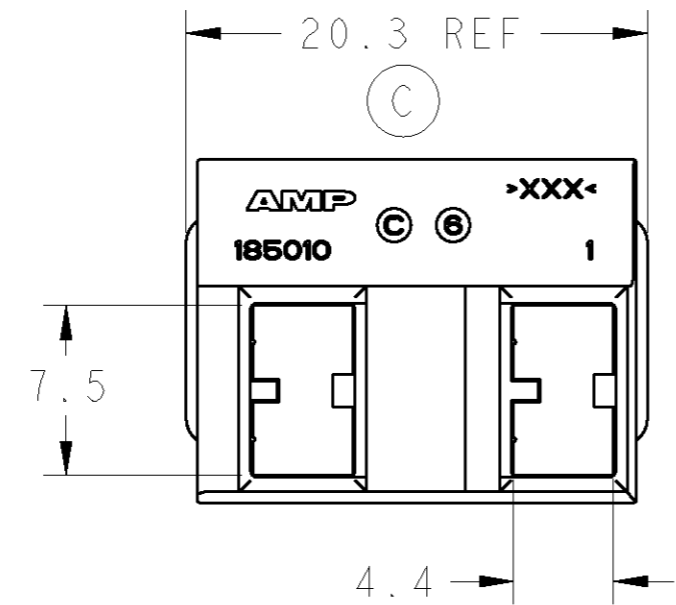
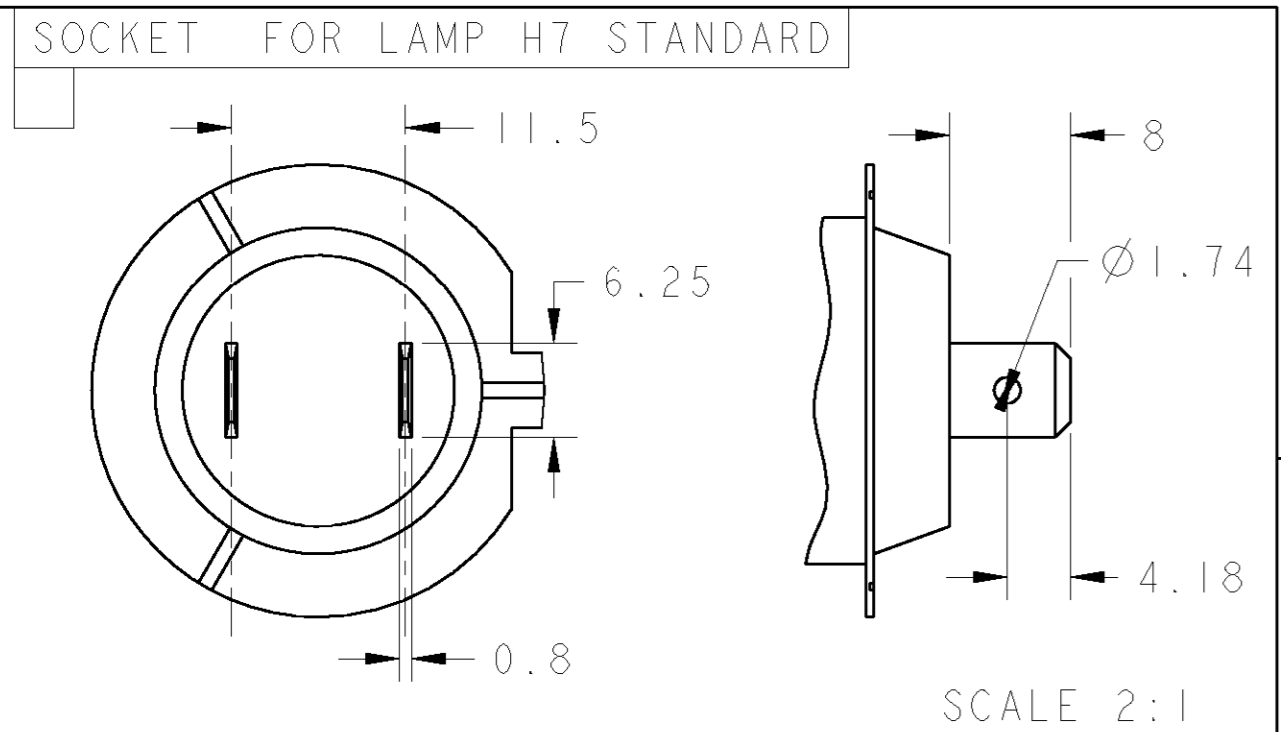


THIS DRAWING IS UNPUBLISHED.
 DIFFUSION RESTREINTE
 © COPYRIGHT 20 BY TYCO ELECTRONICS CORPORATION. ALL RIGHTS RESERVED.
 TOUS DROITS RESERVES

LOC	DIST	REVISIONS					
		P	LTR	DESCRIPTION MODIFICATIONS	DATE	DWN DESS.	APVD APP.
AL	2		B	AJOUT VERSION PA66 MARRON	14MAR96	JJR	-
			C	185010-2 NOIR REMPLACE 185010-1	13AUG01	AA	JJR
			D	REVISED PER ES00-0040-02	02APR02	JL	JL
			E	REVISED PER ES00-0136-02	16OCT02	JL	JL



SECTION F-F



SCALE 2:1

CAJA
 PARA TERM.
 DE SEGURIDAD
 REF. 282349-1

HOUSING FOR
 POSITIVE LOCK
 P.N 282349-1

185010-2	PA66 20% GF	BLACK
185010-1	PCT 30% GF	BLACK
PART NUMBER	MATERIAL	COLOR

THIS DRAWING IS A CONTROLLED DOCUMENT FOR TYCO ELECTRONICS CORPORATION IT IS SUBJECT TO CHANGE AND THE CONTROLLING ENGINEERING ORGANIZATION SHOULD BE CONTACTED FOR THE LATEST REVISION. CE PLAN EST UN DOCUMENT CONTROLÉ PAR TYCO ELECTRONICS. IL EST SUSCEPTIBLE D'ÊTRE REVISÉ. CONTACTER LE SERVICE TECHNIQUE DE TYCO ELECTRONICS POUR OBTENIR LA DERNIÈRE RÉVISION.		DWN/DESSINE JJ 14MAR1996 CHK/VERIFIE Y. PETRONIN 30MAY1996 APVD/APROUVE Y. PETRONIN 30MAY1996	tyco Electronics TYCO ELECTRONICS AMP ESPAÑOLA S.A BARCELONA ESPAÑA
DIMENSIONS: mm	TOLERANCES UNLESS OTHERWISE SPECIFIED: TOLERANCES NON SPECIFIEES (SUIV NB DE DECIMALES) 0 PLC/DEC: ± 1 PLC/DEC: ±0.3 2 PLC/DEC: ± 3 PLC/DEC: ± 4 PLC/DEC: ± ANGLES ±5° FINISH/FINITION -	NAME TITRE - PRODUCT SPEC - SPEC. PRODUIT - APPLICATION SPEC - SPEC. APPLICATION - WEIGHT MASSE APPROX. -	2 POS HSG H7 HEADLIGHT CAJA 2VIAS, LAMPARA H7
MATERIAL/MATIERE SEE TABLE	SIZE FORMAT A2 CAGE CODE 00779 DRAWING NO No PLAN C-185010	RESTRICTED TO RESERVE A -	CUSTOMER DRAWING /PLAN CLIENT UNIFORMENT POUR REFERENCE SCALE ECHELLE 2:1 SHEET FEUILLE OF DE REV E

X-ON Electronics

Largest Supplier of Electrical and Electronic Components

Click to view similar products for [Headers & Wire Housings](#) category:

Click to view products by [TE Connectivity](#) manufacturer:

Other Similar products are found below :

[95000-104TRLF](#) [10135584-644402LF](#) [DF62W-EP2022PCA](#) [95000-106TRLF](#) [DF62W-2022SCA](#) [DF62W-EP2022PC](#) [2203348](#) [DF62W-2022SC](#) [1084018](#) [1029039](#) [1084017](#) [802-10-012-10-002000](#) [1112640](#) [1112639](#) [891-007-9SS-BST1T](#) [000-34000](#) [0008550134](#) [0009482033](#) [0009507031](#) [57102-F02-18ULF](#) [57102-S06-03LF](#) [57202-S52-04LF](#) [PCN6-15S-2.5E](#) [0039019024](#) [58102-G61-06LF](#) [582553-1](#) [0009485154](#) [0009508121](#) [0022285053](#) [0050291907](#) [018731A](#) [LY20-4P-DT1-P1E-BR](#) [02.125.8002.8](#) [60101931](#) [60598-1 \(Cut Strip\)](#) [M1625-3R/100](#) [61062-3](#) [61082-181009](#) [CSU011177004](#) [636-1427](#) [638009-1](#) [641938-9](#) [641991-4](#) [644168-1](#) [644827-2](#) [647662-1](#) [65039-019ELF](#) [65692-001LF](#) [65781-018](#) [65781-047](#)