

PRODUCT NUMBER
57202-XXX-XXXXXXLF

- PLATING
- S = 0.38µm GOLD/GXT ON CONTACT AREA
- F = 0.76µm GOLD/GXT ON CONTACT AREA
- G = 2µm MIN MATTE TIN ON TAIL
- 2µm MIN MATTE TIN ON TAIL
- 2µm MIN MATTE TIN ON TAIL
- T = 2-6.0µm FULL MATTE TIN
- 1.27µm MIN NICKEL UNDERPLATING

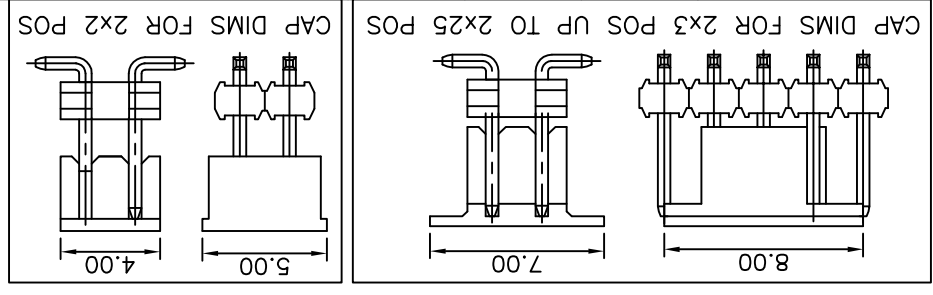
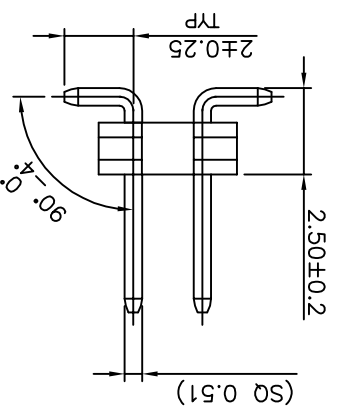
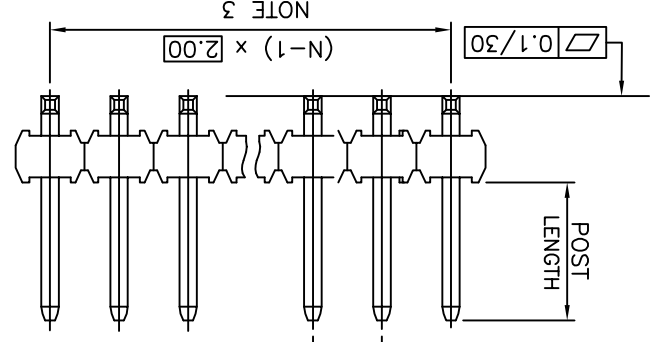
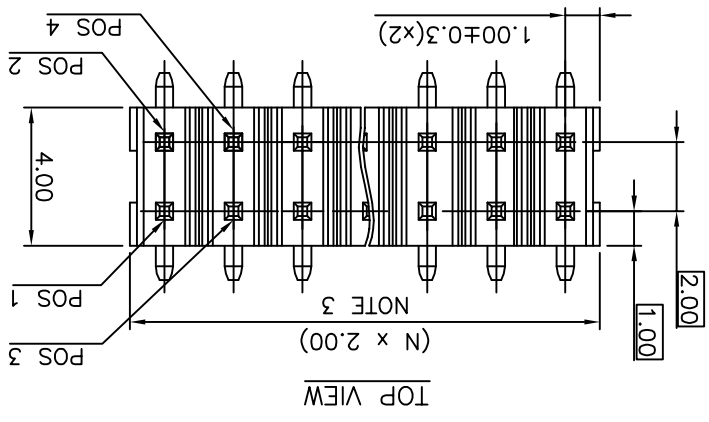
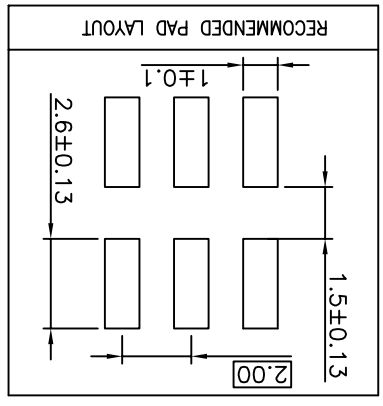
STYLE	POST LENGTH
S1	2.00
S2	4.00
S3	3.50
S4	2.50

NOTES:

1. MATERIAL HOUSING: HIGH TEMP. THERMOPLASTIC UL 94V-0, COLOR BLACK
2. MATERIAL TERMINAL: COPPER ALLOY
3. TO DETERMINE DIMENSIONS:
N = NUMBER OF POSITIONS PER ROW
4. 7N MIN. PIN RETENTION IN EITHER DIRECTION.
5. PACKAGING:
= STANDARD PACKAGING IN POLYBAGS
- = POLYBAGS PACKAGING WHEN POLARISATION FEATURE APPLICABLE.
U = TUBE AVAILABLE FROM 04 TO 25 POS PER ROW.
A = TAPE AND REEL WITH PICK UP CAP, AS AVAILABLE.
K = TAPE AND REEL WITHOUT CAP, AS AVAILABLE.

6. FOR POLARIZATION, SPECIFY POSITION NUMBER TO OMIT PIN. EXAMPLE : 03 = OMIT PIN POSITION 3, SEE TOP VIEW. OMIT FROM PRODUCT NUMBER IF THIS FEATURE IS NOT APPLICABLE.
7. ROHS COMPATIBLE PRODUCT SPECIFICATIONS

- a - PLATING:
- "LF" MEANS THE PRODUCT IS LEAD-FREE, 2µm MINIMUM MATTE TIN OVER 1.27µm MINIMUM NICKEL UNDERPLATE.
- b - MANUFACTURING PROCESS COMPATIBILITY
- THE HOUSING WILL WITHSTAND EXPOSURE TO 260°C PEAK TEMPERATURE FOR 30 SECONDS IN A CONNECTION, INFRA-RED OR VAPOR PHASE REFLOW OVEN.
- c - LABELLING:
- MEETS PACKAGING SPECS AS PER GS-14-920
- d - LEGAL STATEMENT : SEE GS-47-0004



mat'l. code		ISO 1302	surface	ISO 1302	tolerance	ISO 406 ISO 101	projection	product family	MINITEK	title	UNSH HEADER	2.00 mm VERTICAL SMT	dwg no	sheet 1 of 1 size	A3	57202	CUSTOMER Drawing
ltf	ecn no	dr	date	dr	date	tolerances unless otherwise specified	ISO 406 ISO 101	product family	MINITEK	title	UNSH HEADER	2.00 mm VERTICAL SMT	dwg no	sheet 1 of 1 size	A3	57202	CUSTOMER Drawing
L	09-0087	JCO	09.09.04					product family	MINITEK	title	UNSH HEADER	2.00 mm VERTICAL SMT	dwg no	sheet 1 of 1 size	A3	57202	CUSTOMER Drawing
M	11-0026	LMU	11.05.12					product family	MINITEK	title	UNSH HEADER	2.00 mm VERTICAL SMT	dwg no	sheet 1 of 1 size	A3	57202	CUSTOMER Drawing
N	19190	LMU	14.10.24					product family	MINITEK	title	UNSH HEADER	2.00 mm VERTICAL SMT	dwg no	sheet 1 of 1 size	A3	57202	CUSTOMER Drawing
P	19797	AMA	14.12.16	dr	14.12.16	L.MULIN	04.05.06	product family	MINITEK	title	UNSH HEADER	2.00 mm VERTICAL SMT	dwg no	sheet 1 of 1 size	A3	57202	CUSTOMER Drawing
R	19988	LMU	15.01.13	engr	15.01.13	J.COMPAGNON	04.11.25	product family	MINITEK	title	UNSH HEADER	2.00 mm VERTICAL SMT	dwg no	sheet 1 of 1 size	A3	57202	CUSTOMER Drawing
S	20032	AMA	15.01.20	chr	15.01.20			product family	MINITEK	title	UNSH HEADER	2.00 mm VERTICAL SMT	dwg no	sheet 1 of 1 size	A3	57202	CUSTOMER Drawing
T	23051	AMA	16.01.15	appd	16.01.15	J.M.C	04.11.25	product family	MINITEK	title	UNSH HEADER	2.00 mm VERTICAL SMT	dwg no	sheet 1 of 1 size	A3	57202	CUSTOMER Drawing

X-ON Electronics

Largest Supplier of Electrical and Electronic Components

Click to view similar products for [Headers & Wire Housings](#) category:

Click to view products by [FCT Electronics](#) manufacturer:

Other Similar products are found below :

[95000-104TRLF](#) [10135584-644402LF](#) [DF62W-EP2022PCA](#) [95000-106TRLF](#) [DF62W-2022SCA](#) [DF62W-EP2022PC](#) [2203348](#) [DF62W-2022SC](#) [1084018](#) [1029039](#) [1084017](#) [802-10-012-10-002000](#) [1112640](#) [1112639](#) [891-007-9SS-BST1T](#) [000-34000](#) [0008550134](#) [0009482033](#) [0009507031](#) [57102-F02-18ULF](#) [57102-S06-03LF](#) [57202-S52-04LF](#) [PCN6-15S-2.5E](#) [0039019024](#) [58102-G61-06LF](#) [582553-1](#) [0009485154](#) [0009508121](#) [009176003701906](#) [0022285053](#) [0050291907](#) [018731A](#) [LY20-4P-DT1-P1E-BR](#) [02.125.8002.8](#) [60101931](#) [60598-1 \(Cut Strip\)](#) [M1625-3R/100](#) [61062-3](#) [61082-181009](#) [CSU011177004](#) [636-1427](#) [638009-1](#) [641938-9](#) [641991-4](#) [644168-1](#) [644827-2](#) [647662-1](#) [65039-019ELF](#) [65692-001LF](#) [65781-018](#)