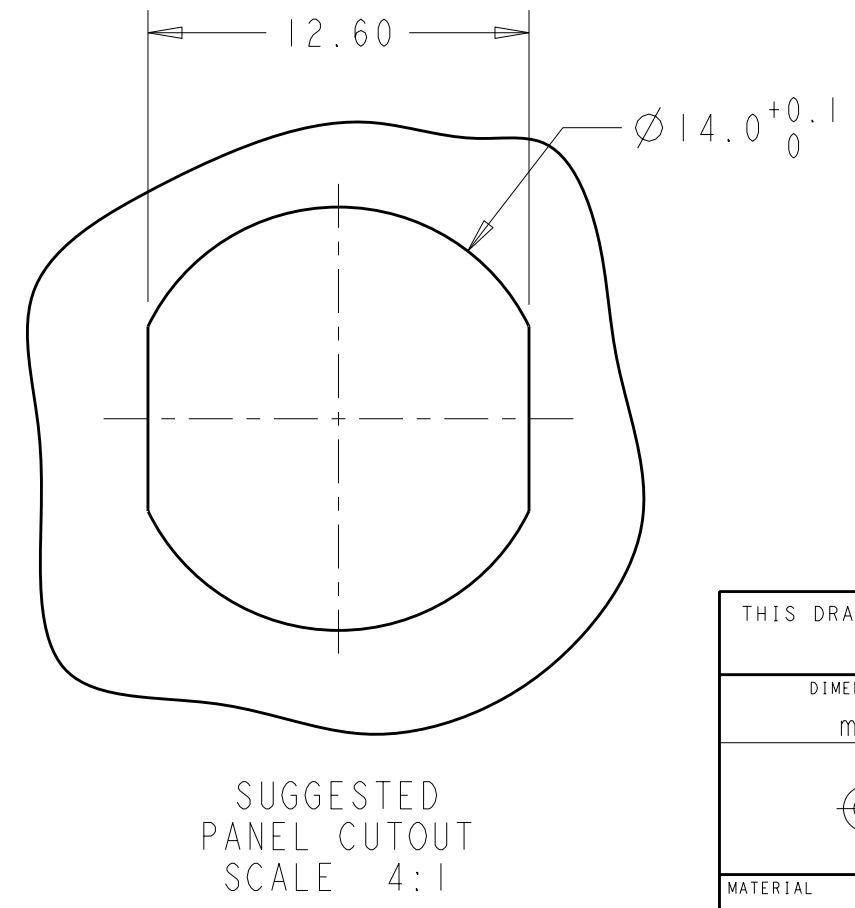
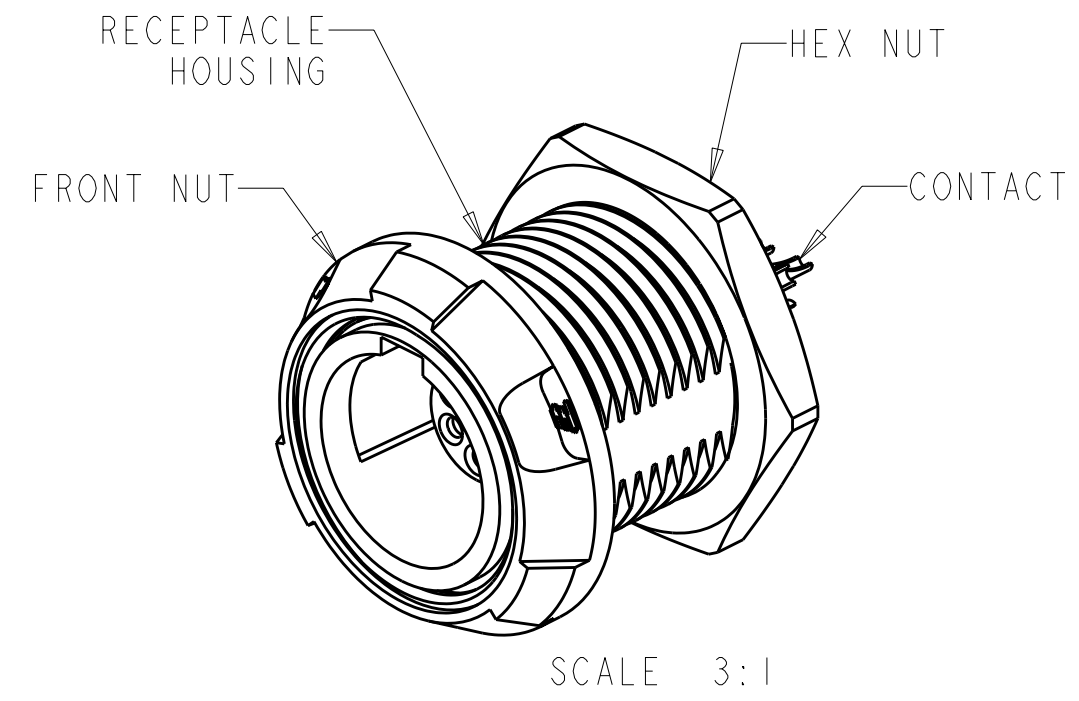
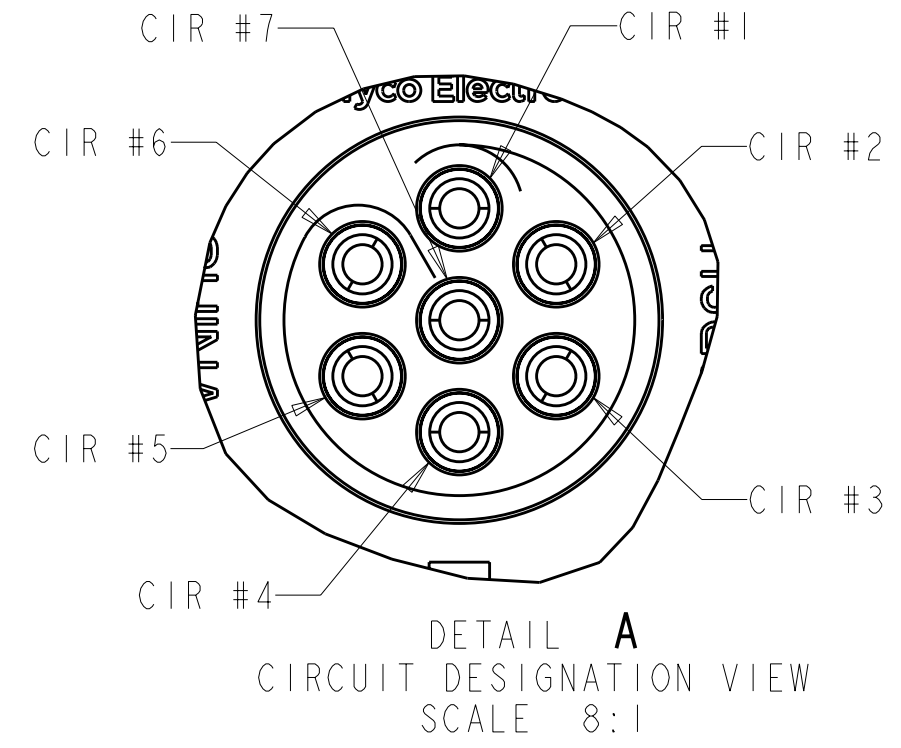
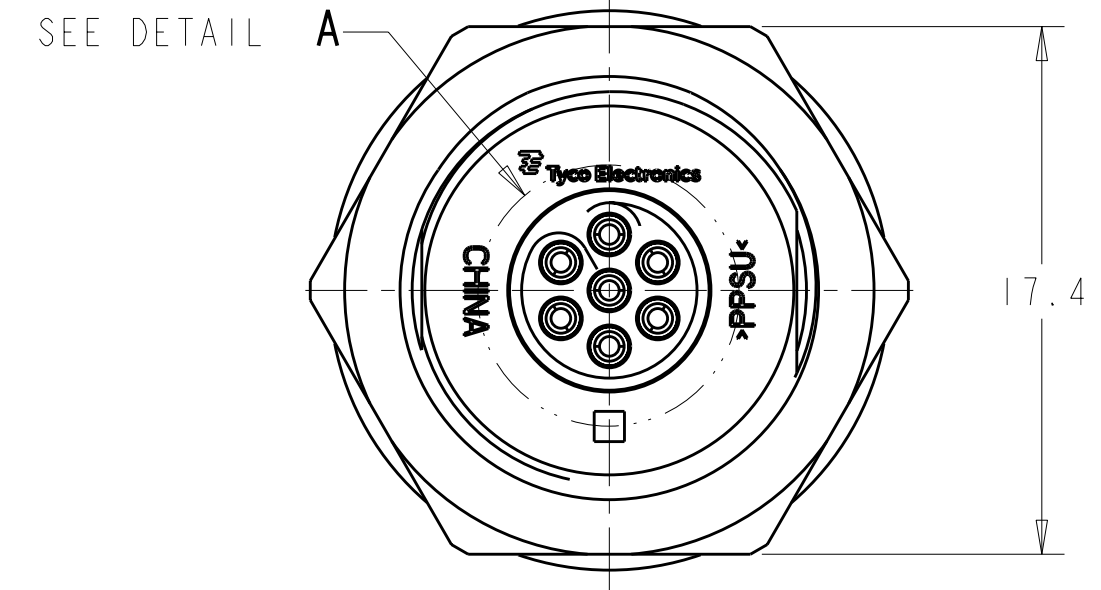
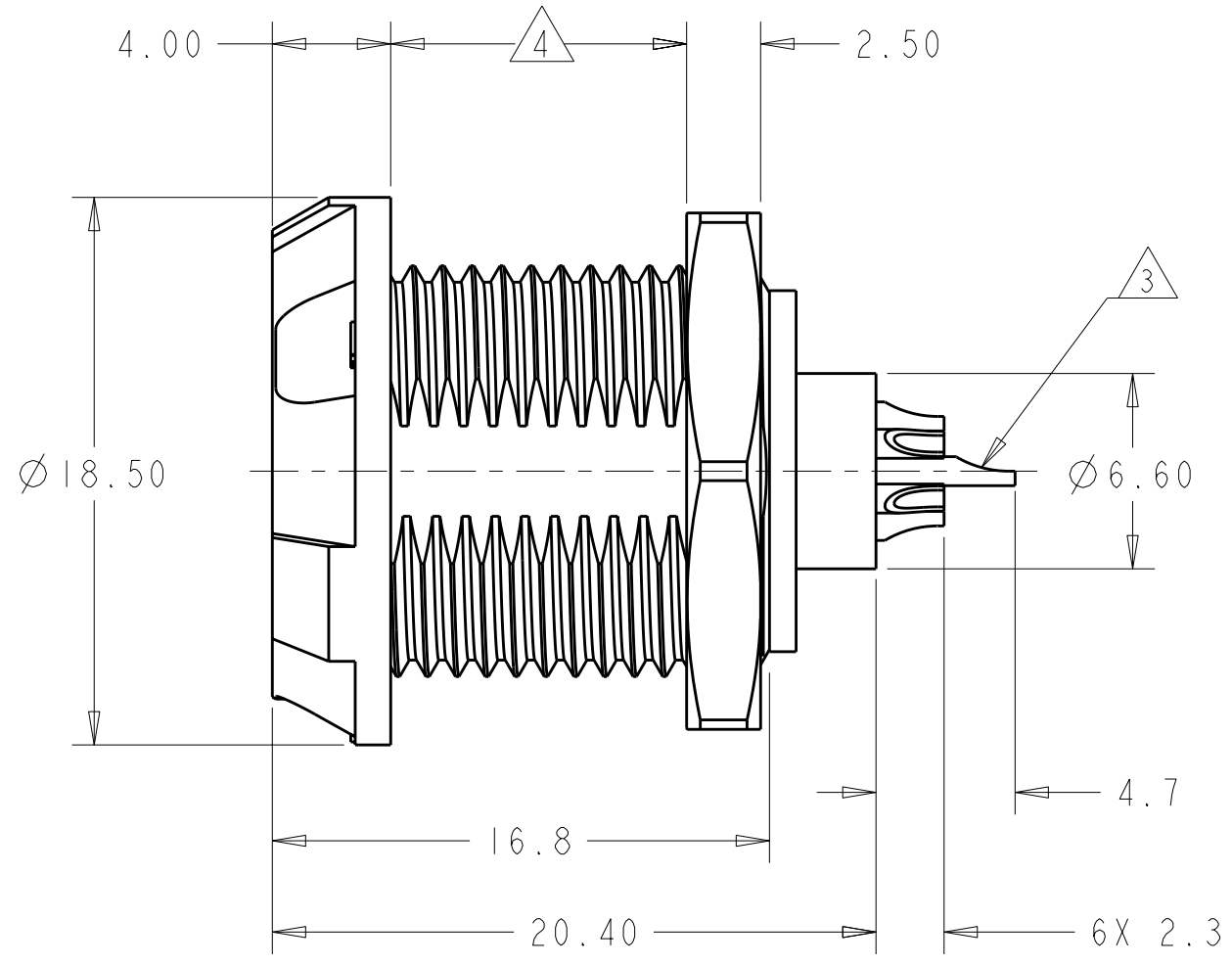


THIS DRAWING IS UNPUBLISHED. RELEASED FOR PUBLICATION 20
 © COPYRIGHT 20 BY - ALL RIGHTS RESERVED.

LOC	DIST	REVISIONS			
P	LTR	DESCRIPTION	DATE	DWN	APVD
AD	00	B3	REVISED PER ECO-11-005027	12MAR2011	RK HMR

- 1 MATERIAL:
RECEPTACLE HOUSING, UL 94V-0 RATED THERMOPLASTIC, COLOR:SEE TABLE
CONTACT, PHOSPHOR BRONZE
FRONT NUT, UL 94V-0 RATED THERMOPLASTIC, COLOR:SEE TABLE
HEX NUT, BRASS
- 2 FINISH:
CONTACT, 0.75µm MIN. GOLD OVER NICKEL
HEX NUT, NICKEL
- 3 SOLDER TERMINATION CONTACT, 26 AWG WIRE MAX.
- 4 10.0 MAXIMUM PANEL THICKNESS
- 5. INSTALLS FROM FRONT OR REAR OF PANEL
- 6. INGRESS PROTECTION: IP50 (MATED)
- 7 PRELIMINARY PART NUMBER.



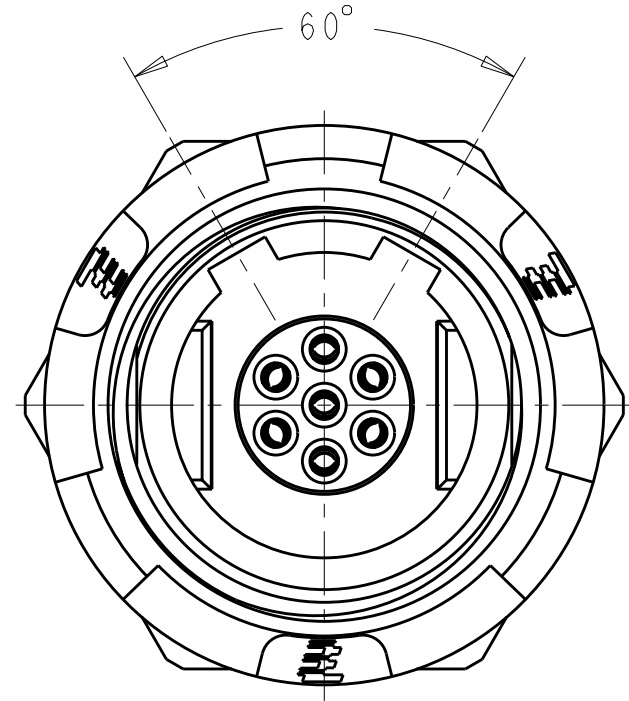
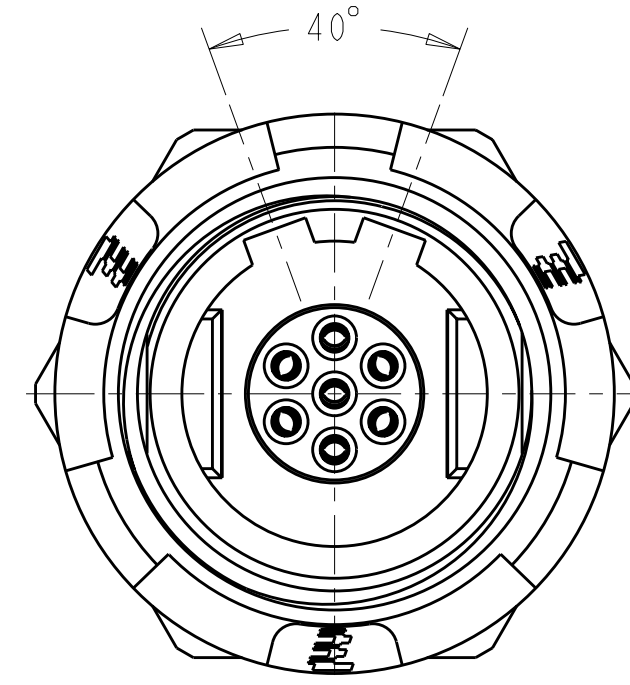
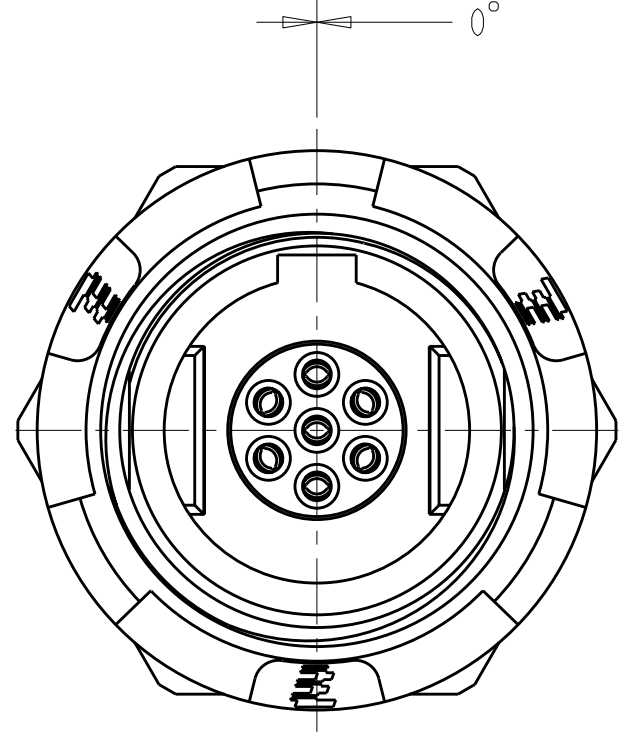
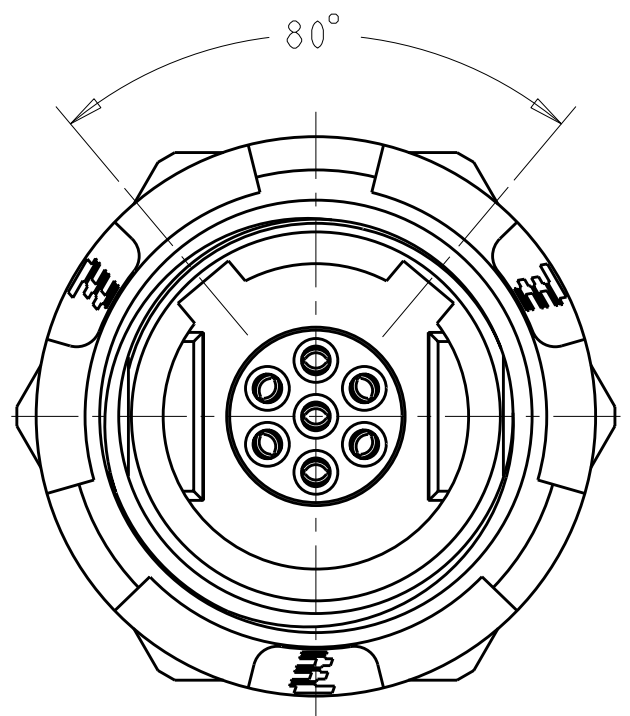
THIS DRAWING IS A CONTROLLED DOCUMENT.		DWN R.L. KOLLER 21 JUN 2005	STE TE Connectivity	
		CHK L. BREKOSKY 28 JUN 2005		
DIMENSIONS: mm		TOLERANCES UNLESS OTHERWISE SPECIFIED:		NAME RECEPTACLE ASSEMBLY PANEL MOUNT 7 POSITION
0 PLC ±		1 PLC ±0.2		SIZE A2
2 PLC ±0.08		3 PLC ±		CAGE CODE 00779
4 PLC ±		ANGLES ±1°		DRAWING NO. 1877068
MATERIAL 1		FINISH 2		RESTRICTED TO -
CUSTOMER DRAWING		SCALE 5:1		SHEET 1 OF 2 REV B3

THIS DRAWING IS UNPUBLISHED. RELEASED FOR PUBLICATION 20
 © COPYRIGHT 20 BY - ALL RIGHTS RESERVED.

LOC	DIST	REVISIONS			
P	LTR	DESCRIPTION	DATE	DWN	APVD
AD	00	SEE SHEET 1			

KEYING	FRONT NUT COLOR	HOUSING COLOR	PART NUMBER
40°	BLUE	BLACK	4-1877068-2
	BLUE	GRAY	4-1877068-1
40°	GREEN	BLACK	4-1877068-0
	GREEN	GRAY	3-1877068-9
40°	YELLOW	BLACK	3-1877068-8
	YELLOW	GRAY	3-1877068-7
40°	WHITE	BLACK	3-1877068-6
	WHITE	GRAY	3-1877068-5
40°	RED	BLACK	3-1877068-4
	RED	GRAY	3-1877068-3
40°	BLACK	BLACK	3-1877068-2
	BLACK	GRAY	3-1877068-1
40°	GRAY	BLACK	3-1877068-0
	GRAY	GRAY	2-1877068-9
80°	BLACK	GRAY	2-1877068-8
	GRAY	BLACK	2-1877068-7
0°	BLACK	GRAY	2-1877068-6
	GRAY	BLACK	2-1877068-5
80°	BLUE	BLACK	2-1877068-4
	BLUE	GRAY	2-1877068-3
0°	BLUE	BLACK	2-1877068-2
	BLUE	GRAY	2-1877068-1
80°	GREEN	BLACK	2-1877068-0
	GREEN	GRAY	1-1877068-9
0°	GREEN	BLACK	1-1877068-8
	GREEN	GRAY	1-1877068-7
80°	YELLOW	BLACK	1-1877068-6
	YELLOW	GRAY	1-1877068-5
0°	YELLOW	BLACK	1-1877068-4
	YELLOW	GRAY	1-1877068-3
80°	WHITE	BLACK	1-1877068-2
	WHITE	GRAY	1-1877068-1
0°	WHITE	BLACK	1-1877068-0
	WHITE	GRAY	1877068-9
80°	RED	BLACK	1877068-8
	RED	GRAY	1877068-7
0°	RED	BLACK	1877068-6
	RED	GRAY	1877068-5
80°	BLACK	BLACK	1877068-4
	GRAY	GRAY	1877068-3
0°	BLACK	BLACK	1877068-2
	GRAY	GRAY	1877068-1

60°	BLUE	BLACK	5-1877068-6	7
	BLUE	GRAY	5-1877068-5	7
60°	GREEN	BLACK	5-1877068-4	7
	GREEN	GRAY	5-1877068-3	7
60°	YELLOW	BLACK	5-1877068-2	7
	YELLOW	GRAY	5-1877068-1	7
60°	WHITE	BLACK	5-1877068-0	7
	WHITE	GRAY	4-1877068-9	7
60°	RED	BLACK	4-1877068-8	7
	RED	GRAY	4-1877068-7	7
60°	BLACK	BLACK	4-1877068-6	7
	BLACK	GRAY	4-1877068-5	7
60°	GRAY	BLACK	4-1877068-4	7
	GRAY	GRAY	4-1877068-3	7



THIS DRAWING IS A CONTROLLED DOCUMENT.		DWN R.L. KOLLER 21 JUN 2005	TE Connectivity	
		CHK L. BREKOSKY 28 JUN 2005		
DIMENSIONS: mm		TOLERANCES UNLESS OTHERWISE SPECIFIED:		NAME RECEPTACLE ASSEMBLY PANEL MOUNT 7 POSITION
		0 PLC ±-	PRODUCT SPEC	SIZE A2
		1 PLC ±0.2	108-2249	CAGE CODE 00779
		2 PLC ±0.08	APPLICATION SPEC	DRAWING NO C-1877068
		3 PLC ±-	114-13184	RESTRICTED TO
		4 PLC ±-	WEIGHT	SCALE 5:1
MATERIAL		ANGLES ±1°	-	SHEET 2 OF 2
		FINISH	-	REV B.3
			CUSTOMER DRAWING	

X-ON Electronics

Largest Supplier of Electrical and Electronic Components

Click to view similar products for [Standard Circular Connector](#) category:

Click to view products by [TE Connectivity](#) manufacturer:

Other Similar products are found below :

[C015](#) [10F006](#) [001](#) [1](#) [5M2530B10P](#) [600247N007](#) [600259N006](#) [600273N007](#) [600432N009](#) [6280-2PG-519](#) [6280-3PG-311](#) [6280-3SG-311](#)
[6280-7SG-3DC](#) [6280-7SG-522](#) [6282-5PG-311](#) [6282-6PG-519](#) [6282-8SG-311](#) [6283-11](#) [6283-15](#) [6290](#) [6293](#) [6382-2PG-311](#) [6382-2PG-3DC](#)
[6382-2SG-321](#) [6382-2SG-3DC](#) [6382-4SG-516](#) [67-03E20-37P](#) [681-PMG](#) [CXC3106A1811S](#) [CXS3102A14S2P](#) [CXS3102A181S](#)
[CXS3106A14S6S](#) [D38999/20FC8SA L/C](#) [MB12P-1](#) [MB12R-6](#) [7251-2PG-300](#) [7251-2SG-300](#) [7251-4PG-300](#) [7251-4SG-300](#) [7251-5PG-300](#)
[7251-5SG-300](#) [7251-6SG-300](#) [7251-7PG-300](#) [7251-8PG-300](#) [7271-6SG-300](#) [7282-3PG-300-CH3](#) [73000005663](#) [75-190011-03P](#) [75-190216-08S](#) [75-190218-10P](#) [75-214636-52P](#) [75-474118-10P](#) [75-474211-03P](#)