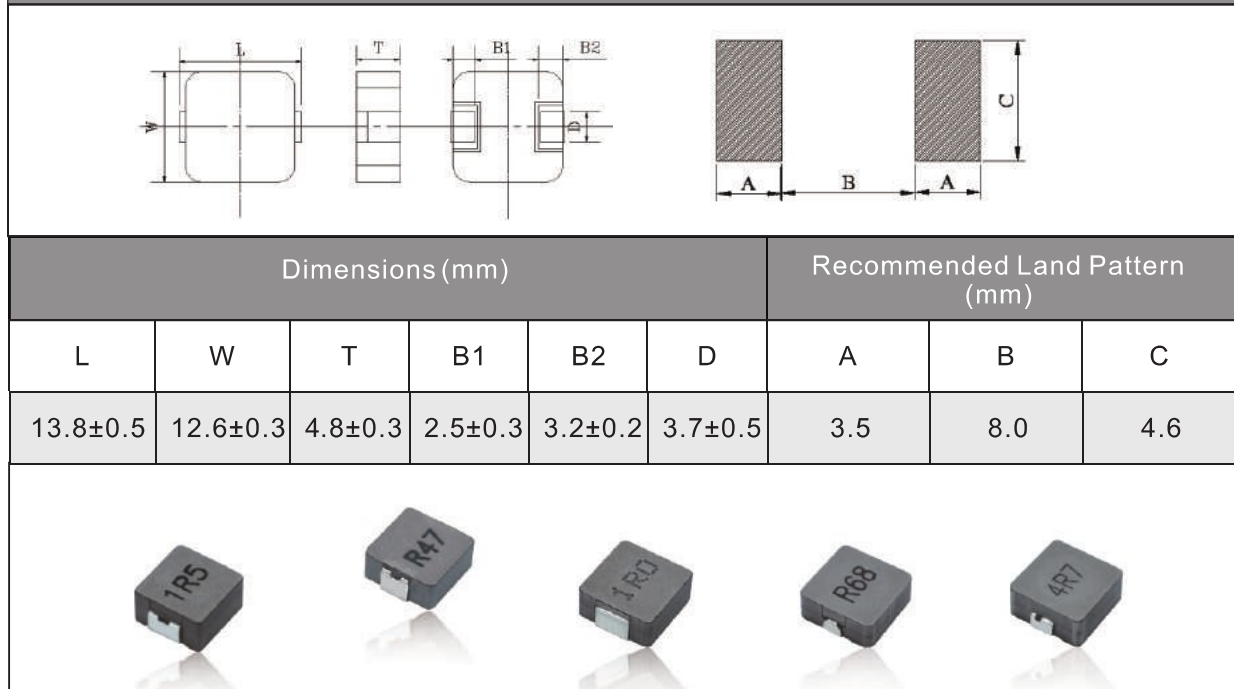


HIGH POWER INDUCTOR

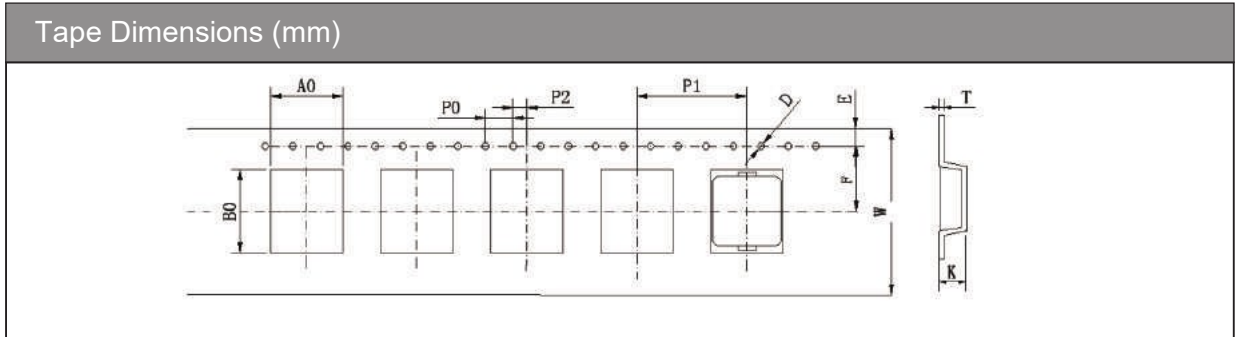
Figures and Dimensions



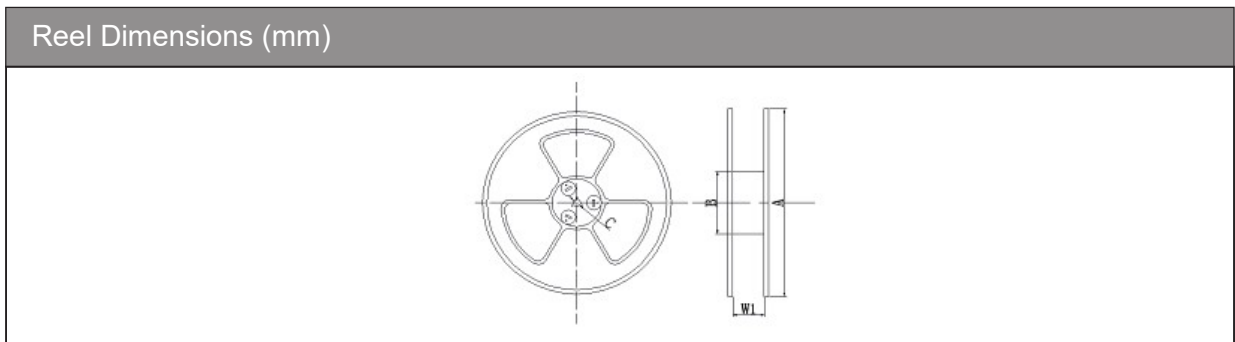
Electrical Characteristics

| 产品型号 Part Number | 电感量 Inductance (μH)@0A | 容许容差 Tolerance | 直流电阻 Resistance ($\text{m}\Omega$) $\pm 7\%$ | 饱和电流 Saturation Current Typ.(A) | 温升电流 Heat Rating Current Typ.(A) |
|---------------------|---|-------------------|--|--|---|
| HPI1260-R44 | 0.44 | $\pm 20\%$ | 0.8 | 40.0 | 38.0 |
| HPI1260-R68 | 0.68 | $\pm 20\%$ | 1.25 | 38.0 | 32.0 |
| HPI1260-1R0 | 1.00 | $\pm 20\%$ | 1.75 | 25.0 | 24.0 |
| HPI1260-1R5 | 1.50 | $\pm 20\%$ | 2.45 | 21.0 | 18.0 |
| HPI1260-2R2 | 2.20 | $\pm 20\%$ | 3.4 | 18.0 | 16.0 |
| HPI1260-3R3 | 3.30 | $\pm 20\%$ | 7.0 | 15.0 | 14.0 |
| HPI1260-4R7 | 4.70 | $\pm 20\%$ | 8.5 | 13.0 | 12.0 |
| HPI1260-5R6 | 5.60 | $\pm 20\%$ | 10.0 | 12.0 | 10.0 |
| HPI1260-6R8 | 6.80 | $\pm 20\%$ | 12.0 | 11.0 | 9.0 |
| HPI1260-8R0 | 8.00 | $\pm 20\%$ | 14.0 | 9.5 | 8.0 |
| HPI1260-100 | 10.0 | $\pm 20\%$ | 17.5 | 8.0 | 7.5 |
| HPI1260-120 | 12.0 | $\pm 20\%$ | 23.0 | 8.0 | 6.0 |
| HPI1260-150 | 15.0 | $\pm 20\%$ | 30.0 | 7.5 | 6.0 |
| HPI1260-220 | 22.0 | $\pm 20\%$ | 38.0 | 6.0 | 5.0 |
| HPI1260-330 | 33.0 | $\pm 20\%$ | 53.0 | 5.0 | 4.0 |
| HPI1260-470 | 47.0 | $\pm 20\%$ | 82.0 | 4.3 | 3.5 |
| HPI1260-680 | 68.0 | $\pm 20\%$ | 120.0 | 3.5 | 3.0 |
| HPI1260-101 | 100.0 | $\pm 20\%$ | 185.0 | 3.0 | 2.5 |
| HPI1260-121 | 120.0 | $\pm 20\%$ | 220.0 | 2.5 | 2.0 |
| HPI1260-151 | 150.0 | $\pm 20\%$ | 340.0 | 2.3 | 2.0 |

Package



| | A0 | B0 | W | F | E | P1 | P2 | P0 | D | T | K |
|-----------|------|------|------|------|------|------|------|------|-------|-------|-------|
| 12 Series | ±0.1 | ±0.1 | ±0.3 | ±0.1 | ±0.1 | ±0.1 | ±0.1 | ±0.1 | ±0.05 | ±0.05 | ±0.1 |
| | 13.0 | 14.0 | 24 | 11.5 | 1.75 | 16 | 2.0 | 4.0 | 1.5 | 0.4 | H+0.2 |



| | A | B | C | W1 | Quality(pcs/Reel) |
|-----------|-----|-----|------|------|-------------------|
| 12 Series | 330 | 100 | 13.0 | 24.0 | 500 |

X-ON Electronics

Largest Supplier of Electrical and Electronic Components

Click to view similar products for [Ferrite Beads](#) category:

Click to view products by [Ferrocore](#) manufacturer:

Other Similar products are found below :

[2943778301](#) [BMB1J0120BN3JIT](#) [82350120560](#) [0261014605](#) [2643066902](#) [3061000011](#) [2673045901](#) [2643083601](#) [2643074901](#) [4361142521](#)
[4078078621](#) [4078044821](#) [4078033621](#) [CZB2BFTTE121P](#) [BMB2A0120AN2](#) [BMB1J0200BN3JIT](#) [EMI0805R-220](#) [74279250](#) [7427924](#)
[CZB1JGTTD202P](#) [MAF0603GWY551AT000](#) [MAF1005GWZ102AT000](#) [BLM18HE152SH1D](#) [2944778302](#) [BLM02PX600SN1D](#) [SMB2.5-1](#)
[EMI1206R-600](#) [BLM02KX180SN1D](#) [BLM02BC100SN1D](#) [BLM02KX100SN1D](#) [BLM02BB101SN1D](#) [BLM02BC220SN1D](#)
[BLE32PN260SH1L](#) [BLE32PN260SN1L](#) [BLE32PN260SZ1L](#) [74275013](#) [7427503](#) [BLM18HE601SH1D](#) [BLM15BD152SN1D](#)
[BLM15BD152SZ1D](#) [BLE18PS080SZ1D](#) [BLM21PG221BH1D](#) [WLBD1005HCU330TL](#) [BLM21AG471BH1D](#) [BLE18PS080BH1D](#)
[BLM21AG331BH1D](#) [BLM21PG300BH1D](#) [BLM21PG600BH1D](#) [BLM03HB401SZ1D](#) [BLM03HB401SN1D](#)