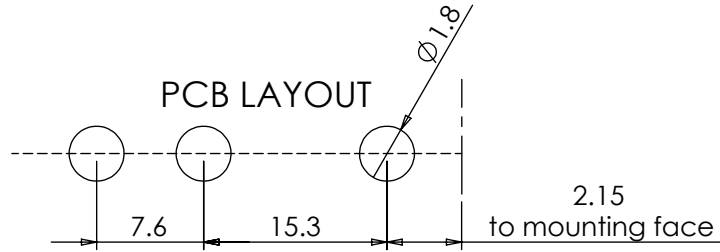
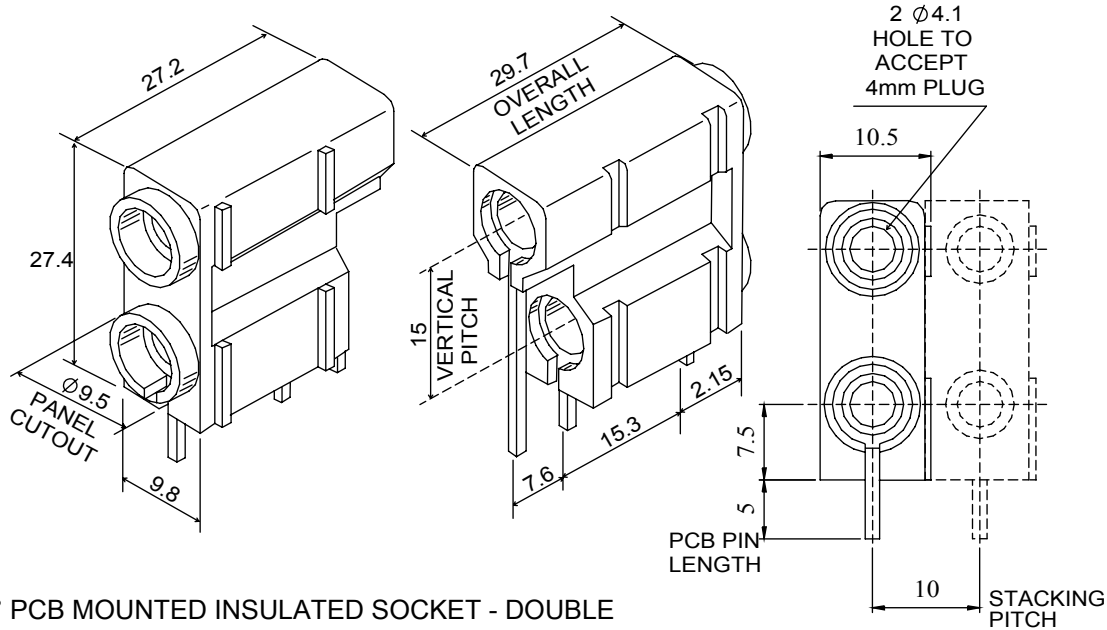


A double insulated 4mm socket, for direct mounting onto printed circuit boards. Has grooves in the outer acetal housing which provide side stacking alignment.



Dimensions



90° PCB MOUNTED INSULATED SOCKET - DOUBLE

Product information and Ratings - 572 Range = 4mm PCB Double Socket

Insulant	Acetal-LG chemical LUCCEL N127-LD/DN127-LD	Acetal - C27021 R
Pin	Brass silver plate	Brass Micron Silver Plated Deltron Spec 09-001
Bush	Brass silver plate	Brass Micron Silver Plated Deltron Spec 10-001
Amps	10A	
Nominal working Voltage	250 V RMS	
Contact Resistance	10mΩ	
Maximum Temperature RTI	+ 110°C	
Minimum temperature	- 25°C	
Recommended Temperature	10A'@55°C	
Voltage Breakdown	5000v	
Conductor size	1.5mm ²	
Colours	ORDER CODE	
Black	572-0100	
Blue	572-0200	
Brown	572-0300	
Green	572-0400	
Red	572-0500	
White	572-0600	
Yellow	572-0700	

Tel No. +44(0)1724 273200 Website www.dem-uk.com



PROPRIETARY AND CONFIDENTIAL
THE INFORMATION CONTAINED IN THIS DRAWING IS THE SOLE PROPERTY OF ALPHA 3 MANUFACTURING.
ANY REPRODUCTION IN PART OR AS A WHOLE WITHOUT THE WRITTEN PERMISSION OF ALPHA 3 MANUFACTURING IS PROHIBITED.

DEM Manufacturing, Deltron Emcon House
Hargreaves Way, Sawcliffe Ind. Park,
Scunthorpe, North Lincolnshire, DN15 8RF, UK

UNLESS OTHERWISE SPECIFIED:
DIMENSIONS ARE IN MILLIMETRES
LINEAR TOLERANCE:
NO DECIMAL PLACES ±0.5mm
1 DECIMAL PLACE ±0.25mm
2 DECIMAL PLACES ±0.125mm
ANGULAR TOLERANCE: ±1°

FINISH -
DEBURR AND BREAK SHARP EDGES -
IF IN DOUBT ASK
DO NOT SCALE DRAWING
MATERIAL -

DRAWN BY SPB
APPROVED BY WC
THIRD ANGLE PROJECTION
SHEET 1 OF 1
SCALE 1:1
A4

TITLE GENERAL SPECIFICATION
FOR 572 SERIES
DRAWING NO. 572 SERIES
ISSUE **07**
Release

X-ON Electronics

Largest Supplier of Electrical and Electronic Components

Click to view similar products for [Test Sockets](#) category:

Click to view products by [Deltron](#) manufacturer:

Other Similar products are found below :

[AXS-5032-04-02](#) [AXS-3225-04-06](#) [AXS-7050-04-12](#) [5662](#) [BP30-10-B](#) [BP30GNN-1 PKG](#) [BP30-10Y-1 PKG](#) [AXS-7050-04-01](#) [AXS-5032-04-06](#) [AXS-2520-04-01](#) [AXS-5032-04-04](#) [930308101](#) [931714101](#) [15.0084-21](#) [563-0500](#) [20.1020-21](#) [20-313137](#) [20-313139](#) [20-313144](#) [20-313140](#) [20-313143](#) [22.1042](#) [+ 22.2370-22](#) [23.1010-23, 24, 25, 26, 27](#) [24.0160-1+25.0035](#) [24.0160-4+25.0035](#) [24.116-22](#) [5281](#) [5279](#) [450-3704-01-06-00](#) [AXS-3225-04-04](#) [AXS-3225-04-10](#) [AXS-7550-06-03](#) [AXS-7550-06-05](#) [269RB](#) [2713BB](#) [BP30BN-1 PKG](#) [BP30RN-1 PKG](#) [571-0200](#) [450-3422-01-06-00](#) [450-3888-01-04-00](#) [BP30GP10](#) [571-0400](#) [66.9131-23](#) [66.9427-22](#) [BP21-2BRN-B PKG](#) [930058104](#) [930103102](#) [930103188](#) [930103700](#) [930103788](#)