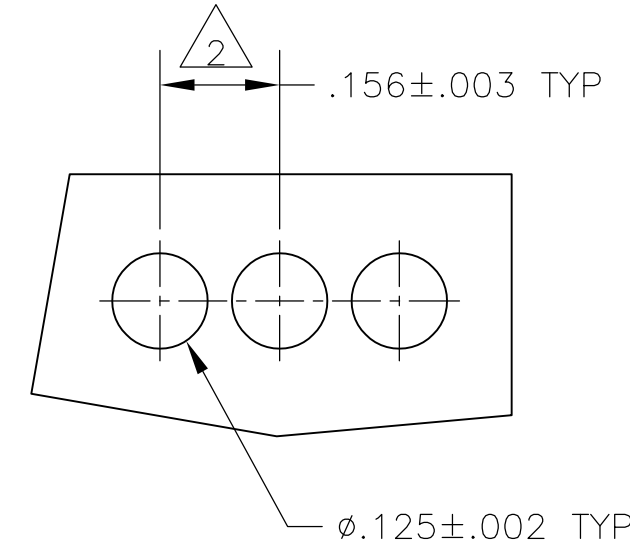
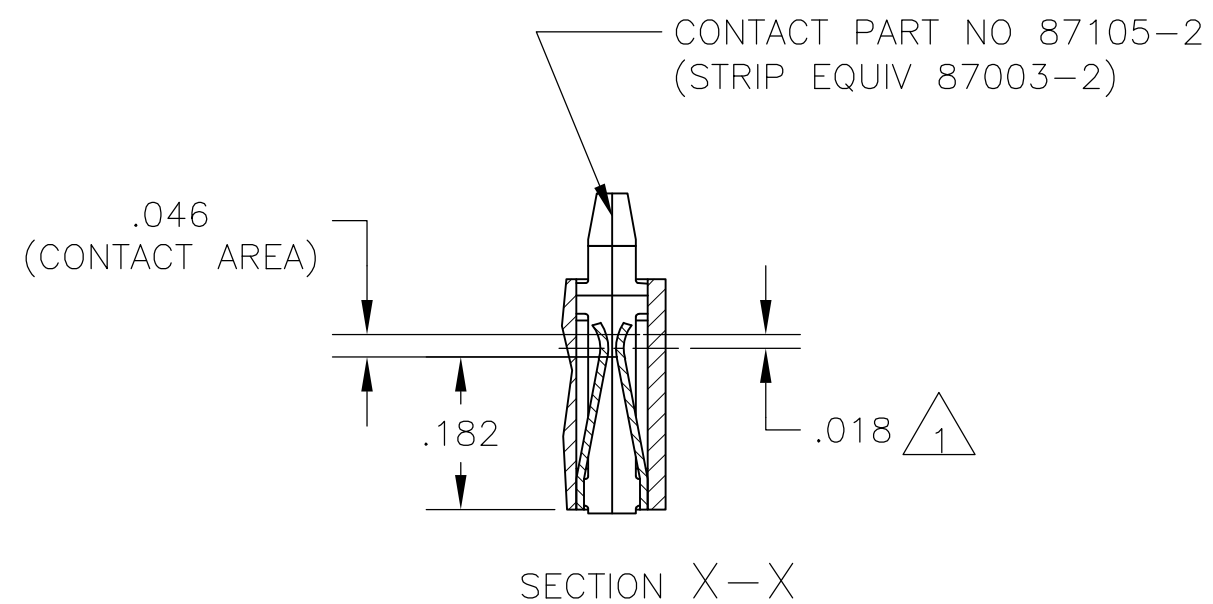


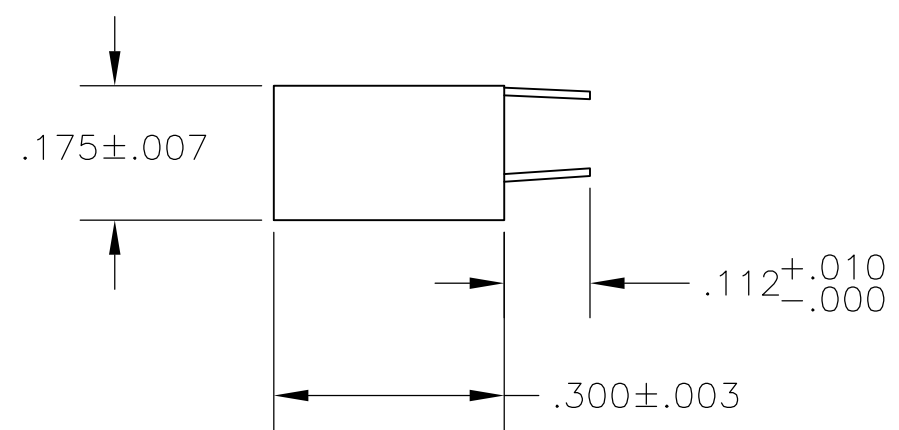
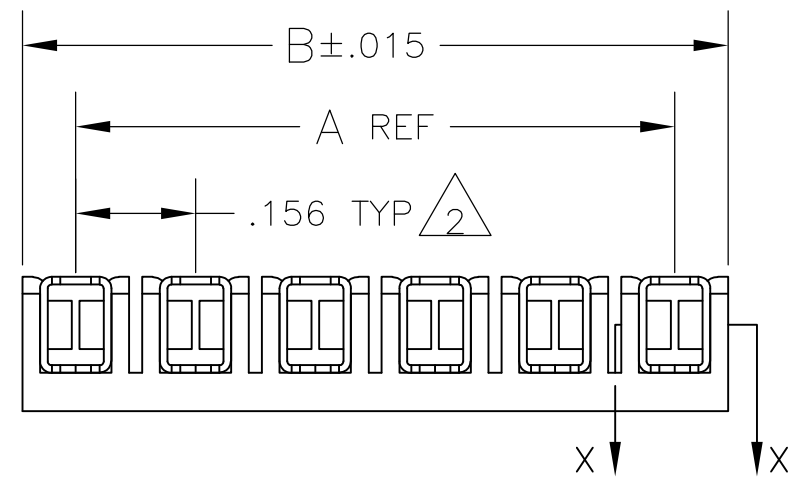
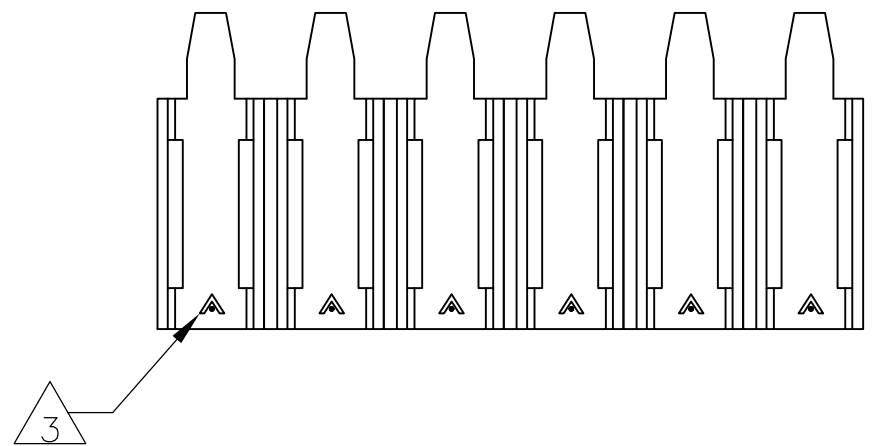
THIS DRAWING IS UNPUBLISHED. RELEASED FOR PUBLICATION  
 © COPYRIGHT BY TYCO ELECTRONICS CORPORATION. ALL RIGHTS RESERVED.

LOC	DIST	REVISIONS					
		P	LTR	DESCRIPTION	DATE	DWN	APVD
AD	00		K	REVISED PER 0G3C-0107-00	08AUG00	-	MZ
			K1	REVISED PER ECO-09-024927	06NOV09	KK	AEG



RECOMMENDED BOARD MOUNTING  
(RECOMMENDED BOARD THICKNESS: .055-.070)

- $\triangle 1$  POINT OF MEASUREMENT FOR PLATING THICKNESS (INSIDE OF BEAMS).
- $\triangle 2$  TOLERANCE NON-CUMULATIVE.
- $\triangle 3$  THE MATING END OF THE CONTACT IS IDENTIFIED BY THE LETTER "A" STAMPED ON THE RECEPTACLE BOX.
- $\triangle 4$  OBSOLETE PARTS: OBSOLETE CIS STREAMLINING PER D.RENAUD/D.SINISI



	B	A	NO OF POSN	ASSEMBLY PART NUMBER
$\triangle 4$ OBSOLETE	3.120	2.964	20	-2-87985-0
OBSOLETE $\triangle 4$	2.964	2.808	19	-1-87985-9
	2.808	2.652	18	-1-87985-8
	2.652	2.496	17	-1-87985-7
	2.496	2.340	16	-1-87985-6
OBSOLETE $\triangle 4$	2.340	2.184	15	1-87985-5
	2.184	2.028	14	-1-87985-4
OBSOLETE $\triangle 4$	2.028	1.872	13	-1-87985-3
	1.872	1.716	12	1-87985-2
$\triangle 4$ OBSOLETE	1.716	1.560	11	-1-87985-1
OBSOLETE $\triangle 4$	1.560	1.404	10	1-87985-0
	1.404	1.248	9	-87985-9
OBSOLETE $\triangle 4$	1.248	1.092	8	87985-8
	1.092	.936	7	-87985-7
OBSOLETE $\triangle 4$	.936	.780	6	-87985-6
	.780	.624	5	87985-5
OBSOLETE $\triangle 4$	.624	.468	4	-87985-4
	.468	.312	3	-87985-3
OBSOLETE $\triangle 4$	.312	.156	2	-87985-2

THIS DRAWING IS A CONTROLLED DOCUMENT.

DWN L D RINGLEY 17MAR86  
 CHK P C DEJONG 18MAR86  
 APVD P C DEJONG 18MAR86

TOLERANCES UNLESS OTHERWISE SPECIFIED:  
 0 PLC ± -  
 1 PLC ± -  
 2 PLC ± -  
 3 PLC ± .005  
 4 PLC ± -  
 ANGLES ± -

FINISH CONTACTS: .000079 MIN TIN.

MATERIAL: HOUSING-FLAME RETARDANT THERMOPLASTIC, COLOR-BLACK  
 CONTACTS: PHOS BRONZE

17MAR86  
 18MAR86  
 18MAR86

Tyco Electronics Corporation  
 Harrisburg, PA 17105-3608

NAME: ASSY, MOD I, BOARD MOUNT RECP, .156CL, STD PRESSURE, TYPE B, FOR ROUND HOLE MOUNTING

PRODUCT SPEC: 108-25,016  
 APPLICATION SPEC: 114-25,004

SIZE: A2  
 CAGE CODE: 00779  
 DRAWING NO: C=87985

RESTRICTED TO: -

CUSTOMER DRAWING  
 SCALE: 4:1  
 SHEET: 1 OF 1  
 REV: K1

## X-ON Electronics

Largest Supplier of Electrical and Electronic Components

*Click to view similar products for [Headers & Wire Housings](#) category:*

*Click to view products by [TE Connectivity](#) manufacturer:*

Other Similar products are found below :

[95000-104TRLF](#) [10135584-644402LF](#) [DF62W-EP2022PCA](#) [95000-106TRLF](#) [DF62W-2022SCA](#) [DF62W-EP2022PC](#) [2203348](#) [DF62W-2022SC](#) [1084018](#) [1029039](#) [1084017](#) [802-10-012-10-002000](#) [1112640](#) [1112639](#) [891-007-9SS-BST1T](#) [000-34000](#) [0008550134](#) [0009482033](#) [0009507031](#) [57102-F02-18ULF](#) [57102-S06-03LF](#) [57202-S52-04LF](#) [PCN6-15S-2.5E](#) [0039019024](#) [58102-G61-06LF](#) [582553-1](#) [0009485154](#) [0009508121](#) [0022285053](#) [0050291907](#) [018731A](#) [LY20-4P-DT1-P1E-BR](#) [02.125.8002.8](#) [60101931](#) [60598-1 \(Cut Strip\)](#) [M1625-3R/100](#) [61062-3](#) [61082-181009](#) [CSU011177004](#) [636-1427](#) [638009-1](#) [641938-9](#) [641991-4](#) [644168-1](#) [644827-2](#) [647662-1](#) [65039-019ELF](#) [65692-001LF](#) [65781-018](#) [65781-047](#)