

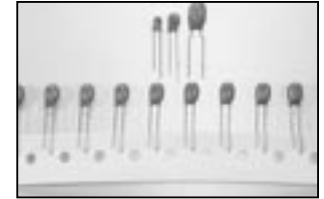
FEATURES

- FLUIDIZED BED PROCESS
- NEW REDUCED SIZES
- FLAME RETARDANT COATING
- LOW LEAKAGE CURRENT AND IMPEDANCE
- EXCEPTIONAL TEMPERATURE STABILITY

**RoHS
Compliant**

includes all homogeneous materials

*See Part Number System for Details



SPECIFICATIONS

Capacitance Range:	0.1 μ F ~ 330 μ F							
Capacitance Tolerance:	\pm 20% (M), \pm 10% (K)							
Rated Voltage (VDC):	6.3	10	16	20	25	35	50	
Surge Voltage (VDC):	8	13	20	26	36	46	65	
Temperature Range:	-55°C ~ +85°C (+125°C with Derating)							
Dissipation Factor: (120hz, +25°C) Tan δ	Capacitance Range				Tan δ			
	0.1 ~ 1.5 μ F				Less than 4%			
	2.2 ~ 6.8 μ F				Less than 6%			
	10 ~ 68 μ F				Less than 8%			
Reliability:	100 ~ 330 μ F				Less than 10%			
	1% per 1000 hrs. at 85°C with 0.1 Ω /V series impedance, 60% confidence level							

DERATED VOLTAGE AND SURGE VOLTAGE

Rated Voltage (VDC)	+85°C:	6.3	10	16	20	25	35	50
Derated Voltage (VDC)	+125°C:	4	6.3	10	13	16	23	33
Surge Voltage (VDC)	+85°C:	8	13	20	26	33	46	65
Derated Surge Voltage (VDC)	+125°C:	5	9	12	16	21	28	40

Maximum Leakage Current (μ A) @ 25°C After 3 minutes								
Cap (μ F)	Rated Voltage (VDC)							
	6.3V	10V	16V	20V	25V	35V	50V	
0.1	-	-	-	-	-	0.5	0.5	
0.15	-	-	-	-	-	0.5	0.5	
0.22	-	-	-	-	-	0.5	0.5	
0.33	-	-	-	-	-	0.5	0.5	
0.47	-	-	-	-	-	0.5	0.5	
0.68	-	-	-	-	-	0.5	0.5	
1.0	-	-	-	0.5	0.5	0.5	0.5	
1.5	-	-	0.5	0.5	0.5	0.5	0.6	
2.2	-	0.5	0.5	0.5	0.5	0.6	0.8	
3.3	0.5	0.5	0.5	0.5	0.6	0.9	1.3	
4.7	0.5	0.5	0.6	0.7	0.9	1.3	1.8	
6.8	0.5	0.5	0.8	1.0	1.3	1.9	2.7	
10	0.5	0.8	1.2	1.6	2.0	2.8	4.0	
15	0.8	1.2	1.9	2.4	3.0	4.2	6.0	
22	1.1	1.7	2.8	3.5	4.4	6.1	8.8	
33	1.7	2.6	4.2	5.2	6.6	9.2	-	
47	2.4	3.7	6.0	7.5	9.4	10.0	-	
68	3.4	5.4	8.7	10.8	13.6	-	-	
100	5.0	8.0	12.8	16.0	-	-	-	
150	7.6	12.0	19.2	-	-	-	-	
220	11.0	17.6	20.0	-	-	-	-	
330	16.6	20.0	-	-	-	-	-	

Max. ESR (ohm) @ 100Khz and 25°C								
Cap (μ F)	Rated Voltage (VDC)							
	6.3V	10V	16V	20V	25V	35V	50V	
0.1	-	-	-	-	-	26.0	26.0	
0.15	-	-	-	-	-	21.0	21.0	
0.22	-	-	-	-	-	17.0	17.0	
0.33	-	-	-	-	-	15.0	15.0	
0.47	-	-	-	-	-	13.0	13.0	
0.68	-	-	-	-	-	10.0	10.0	
1.0	-	-	-	10.0	10.0	8.0	8.0	
1.5	-	-	10.0	9.0	8.0	6.0	6.0	
2.2	-	13.0	8.0	7.0	6.0	5.0	3.5	
3.3	13.0	10.0	6.0	5.5	5.0	4.0	3.0	
4.7	10.0	8.0	5.0	4.5	4.0	3.0	2.5	
6.8	8.0	6.0	4.0	3.6	3.1	2.5	2.0	
10	6.0	5.0	3.2	2.9	2.5	2.0	1.6	
15	5.0	3.7	2.5	2.3	2.0	1.6	1.2	
22	3.7	2.7	2.0	1.8	1.5	1.3	1.0	
33	3.0	2.1	1.6	1.4	1.2	1.0	-	
47	2.0	1.7	1.3	1.2	1.0	0.8	-	
68	1.8	1.3	1.0	0.9	0.8	-	-	
100	1.6	1.0	0.8	0.6	-	-	-	
150	0.9	0.8	0.6	-	-	-	-	
220	0.9	0.6	0.5	-	-	-	-	
330	0.7	0.5	-	-	-	-	-	

PRECAUTIONS

Please review the notes on correct use, safety and precautions found on pages T10 & T11 of NIC's Electrolytic Capacitor catalog.
Also found at www.nicomp.com/precautions
If in doubt or uncertainty, please review your specific application - process details with NIC's technical support personnel: tpmg@nicomp.com



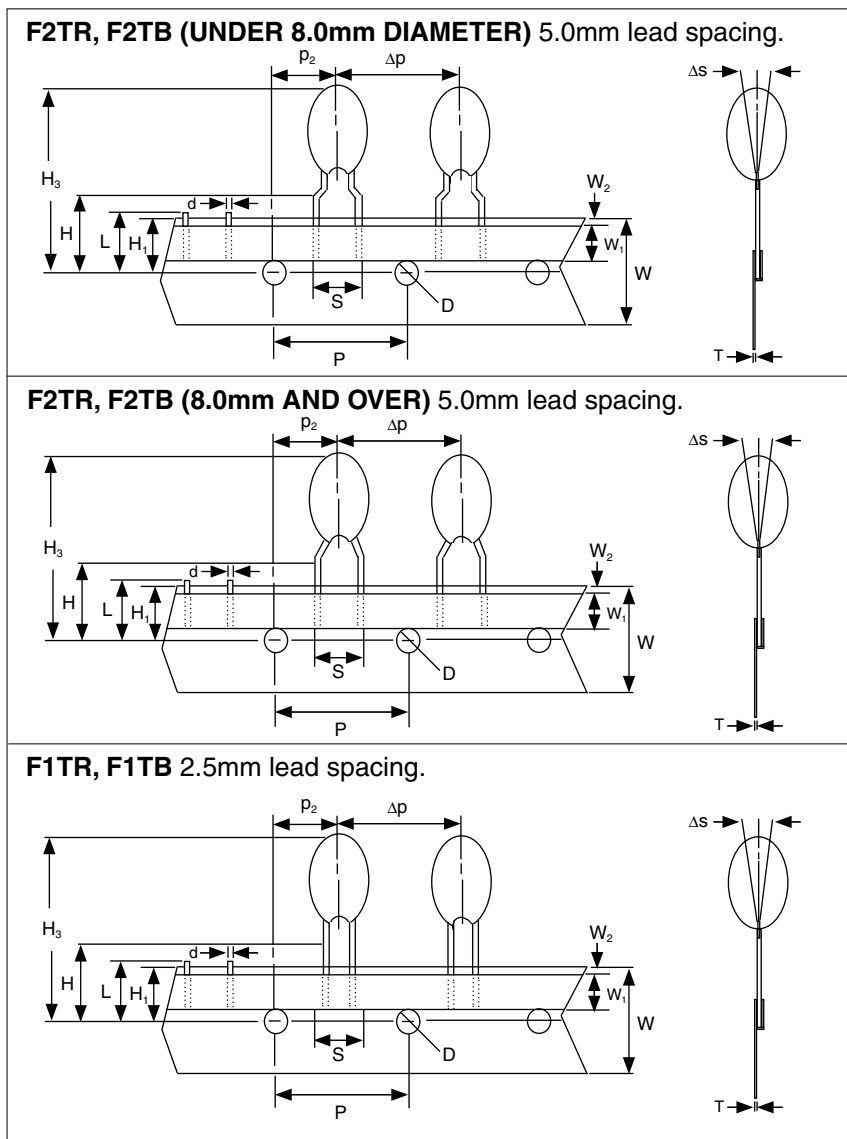
TAPING DIMENSIONS (mm)

Code	Dimensions
P	12.7±0.3
P1	5.50±1.0
P2	6.35±0.4
°P	±1.0
d	0.5±0.05
S	F2TR,F2TB=5.0 F1TR,F1TB=2.5
Δh	±2.0
D	4.0±0.2
W	± 1.0 18 - 0.5
W1	6.0 min.
W2	1.0 max.
H	16±0.5 19±1.0
H1	9.0±0.5
H2	18.0
H3	32.25
L	11.0 max.
T	0.7±0.2

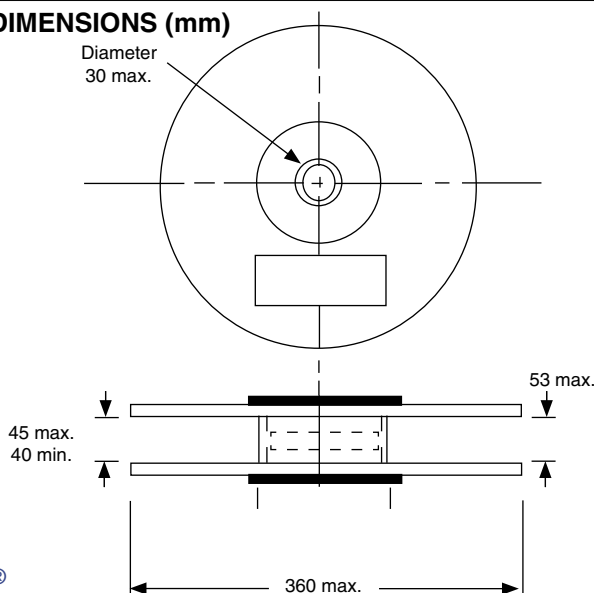
Parts with diameters up to 9.0mm are available packaged on tape. Larger diameter parts are bulk only.

PACKAGING QUANTITIES

Case Size	Reel	Ammo
4.5x7.0	1000-1500	3000
4.5x7.5	1000-1250	3000
5.0x8.5	1000-1250	3000
5.0x9.0	1000-1250	3000
5.5x9.0	1000	2500
6.0x10.0	1000	2500
6.5x10.0	750	2500
7.0x10.5	750	2000
8.0x13.0	750	-----
8.5x14.0	500	-----
9.0x14.0	500	-----
9.0x14.5	500	-----



REEL DIMENSIONS (mm)



X-ON Electronics

Largest Supplier of Electrical and Electronic Components

Click to view similar products for [Tantalum Capacitors - Solid SMD category:](#)

Click to view products by [NIC manufacturer:](#)

Other Similar products are found below :

[B45197-A2157-M509](#) [B45197A5226M409](#) [293D686X0020E8T](#) [CWR09JC105KCB\M100](#) [CWR11CH107KBA](#) [TCSCS1A336KBAR](#) [419-2060-501](#) [B45196-H5106-K309](#) [B45196-H6226-K509](#) [CWR29JC106KBEZ](#) [T83D475K050RCCL](#) [591D158X06R3R2T20H](#) [M39006/22-0640H](#) [M39003/01-2596](#) [TCSCS1A476KBAR](#) [T83E107K016RCCL](#) [T83D685K035RCCL](#) [293D475X0035B2DE3](#) [TMCMB1C475KTRF](#) [293D155X9020A2DE3](#) [298W476X06R3M2T](#) [298W107X0004M2T](#) [CWR29NC225KDFC](#) [CWR29KC156KDHC\100](#) [CWR29HH155KCBB](#) [CWR29HC106KCDC](#) [293D476X9035E2TE3](#) [CWR29KC226JCGC](#) [T495D156K025ATE2757005](#) [T513X227K016BH4585](#) [CWR29DC337KCHC](#) [T97H107M040HSA](#) [595D686X9010B2T](#) [T25D337M016CSZ](#) [591D156X9025R8T15H](#) [594D686X9016C2T](#) [595D106X0025C8T](#) [CWR29DC226KBDA\TR](#) [CWR29FC106KBBA\TR](#) [CWR29FC686KBGA\TR](#) [CWR29FC157KBXA\TR](#) [CWR29HC105KBAA\TR](#) [CA55-B6R3M107T](#) [CA55-E025M107T](#) [TC212B475K035Y](#) [TAZH685K035LBSB0824](#) [TAZG107K010LBSB0800](#) [TAZH475K050LBSB0H23](#) [TAZH156K025CBSZ0824](#) [TBJD156K025CBSZ0824](#)