

PUSH BUTTON DRIVES TYPE NEK22M

Technical data

Protection degree of drives: NEK22M – : K; W; D; DR/P; P NEK22M – : UK; UW; DR NEK22M – Z	55 65 40
Mechanical life: - for return drives - for rotary and locked drives	10 ⁶ 0,7 x 10 ⁵

PUSH BUTTON DRIVES TYPE NEK22M

Appropriation, construction and installation

Control push button drives type NEK22M with metal housing, are designed to be build into standard Ø22,5 mm holes in consoles, control desks or directly in machines and equipment. They are designed to cooperate with contact blocks EF22X and EF22Y and illuminating block EF22L produced by SN Promet.

Drives NEK22M consist of:

- driving unit
- intermediate unit (fitted for connecting contact blocks EF22)

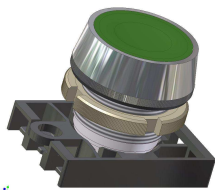
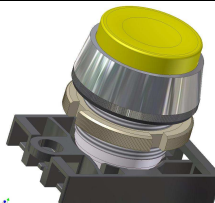
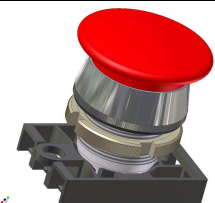
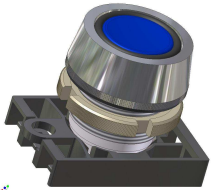
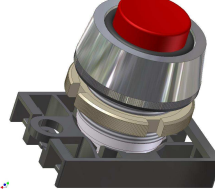
Illuminated drives should be provide with illuminating block fastened to the intermediate unit.

The housing of push button drive is put into the mounting hole from the frontal side of the console, tighten up the fastening back nut under the console and join contact block with the intermediate unit.

Drive type NEK22M is only a part of control push button. Complete push button consist of:

- drive type NEK22M
- 1-6 contact blocks type EF22 ordered separately (in case of illuminated, rotary and locked push buttons, there are max. 4 contact blocks)
- universal illuminating block EF22L in case of illuminated push buttons.

RETURN PUSH BUTTON DRIVES

	Type	IP	Symbol of drive	Button color	Weight [g]
	with covered button	55	NEK22M – Kc NEK22M – Kz NEK22M – Kg NEK22M – Ks NEK22M – Kn NEK22M – Kb	red green yellow black blue white	
	with protruding button	55	NEK22M – Wc NEK22M – Wz NEK22M – Wg NEK22M – Ws NEK22M – Wn NEK22M – Wb	red green yellow black blue white	
	with palm button	55	NEK22M – Dc NEK22M – Dz NEK22M – Ds NEK22M – Dg	red green black yellow	
	with covered sealed button	65	NEK22M – UKc NEK22M – UKz NEK22M – UKg NEK22M – UKs NEK22M – UKn NEK22M – UKb	red green yellow black blue white	
	with protruding sealed button	65	NEK22M – UWc NEK22M – UWz NEK22M – UWg NEK22M – UWs NEK22M – UWn NEK22M – UWb	red green yellow black blue white	

Notice:

1. Contact block type EF22 should be ordered separately.
2. In case of illuminated push button drives, there should be ordered illuminating block additionally.

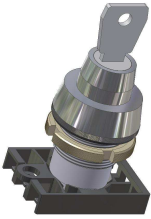
ROTARY PUSH BUTTON DRIVES

	Type	IP	Symbol of drive	Button color	Weight [g]
	0 – I stable, angle of turn 60°	55	NEK22M – Pas NEK22M – Pac NEK22M – Paz NEK22M – Pag NEK22M – Pan	black red green yellow blue	
	0 ← I return, angle of turn 60°	55	NEK22M – Pbs NEK22M – Pbc NEK22M – Pbz NEK22M – Pbg NEK22M – Pbn	black red green yellow blue	
	I – 0 – II stable, angle of turn 2x45°, contacts are switched over separately	55	NEK22M – Pcs NEK22M – Pcc NEK22M – Pcz NEK22M – Pcg NEK22M – Pcn	black red green yellow blue	
	I – 0 ← II pos. I stable, pos. II return, angle of turn: 60° to pos. I, 45° to pos. II, contacts are switched over simultaneously	55	NEK22M – Pds NEK22M – Pdc NEK22M – Pdz NEK22M – Pdg NEK22M – Pdn	black red green yellow blue	
	I → 0 ← II return, angle of turn 2x45°, contacts are switched over separately	55	NEK22M – Pes NEK22M – Pec NEK22M – Pez NEK22M – Peg NEK22M – Pen	black red green yellow blue	
	I – 0 ← II pos. I stable, pos. II return, angle of turn 2x45°, contacts are switched over separately	55	NEK22M – Pfs NEK22M – Pfc NEK22M – Pfz NEK22M – Pfg NEK22M – Pfn	black red green yellow blue	
	I → 0 – II pos. I return, pos. II stable, angle of turn 2x45°, contacts are switched over separately	55	NEK22M – Pgs NEK22M – Pgc NEK22M – Pgz NEK22M – Pgg NEK22M – Pgn	black red green yellow blue	

Notice:

1. Contact block type EF22 should be ordered separately.
2. In case of illuminated push button drives, there should be ordered illuminating block additionally.

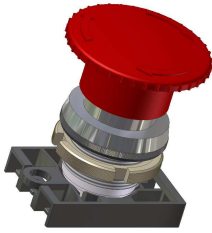
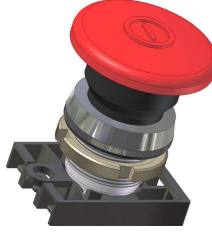
PUSH BUTTON DRIVES WITH LOCKS

	Type	IP	Symbol of drive	Weight [g]
	0 – I stable, angle of turn 60°	40	NEK22M – Za	
	0 ← I return, angle of turn 60°	40	NEK22M – Zb	
	I – 0 – II stable, angle of turn 2x45°, contacts are switched over separately	40	NEK22M – Zc	
	I – 0 ← II pos. I stable, pos. II return, angle of turn: 60° to pos. I, 45° to pos. II, contacts are switched over simultaneously	40	NEK22M – Zd	
	I → 0 ← II return, angle of turn 2x45°, contacts are switched over separately	40	NEK22M – Ze	
	I – 0 ← II pos. I stable, pos. II return, angle of turn 2x45°, contacts are switched over separately	40	NEK22M – Zf	
	I → 0 – II pos. I return, pos. II stable, angle of turn 2x45°, contacts are switched over separately	40	NEK22M – Zg	

Notice:

1. Contact block type EF22 should be ordered separately.

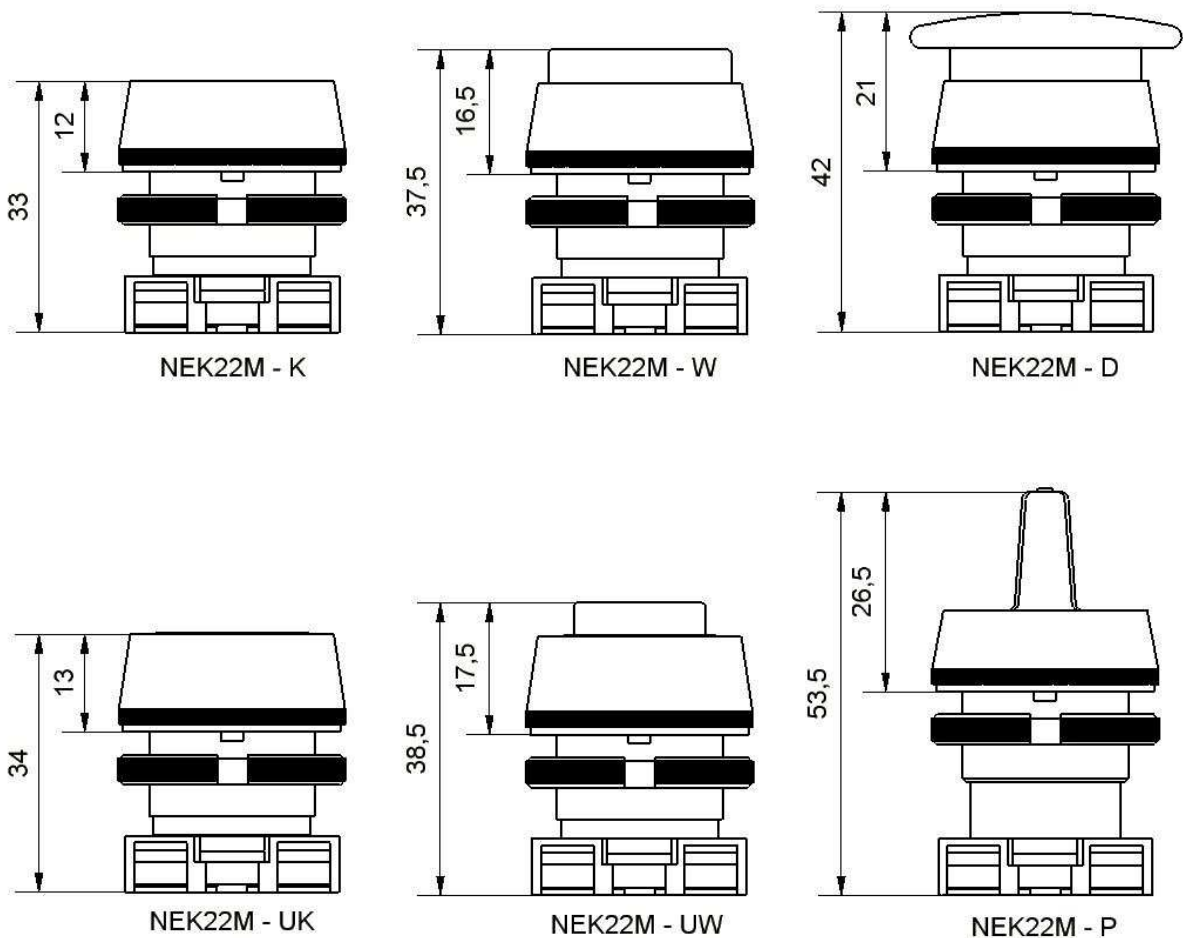
EMERGENCY STOP, LOCKED PUSH BUTTON DRIVES

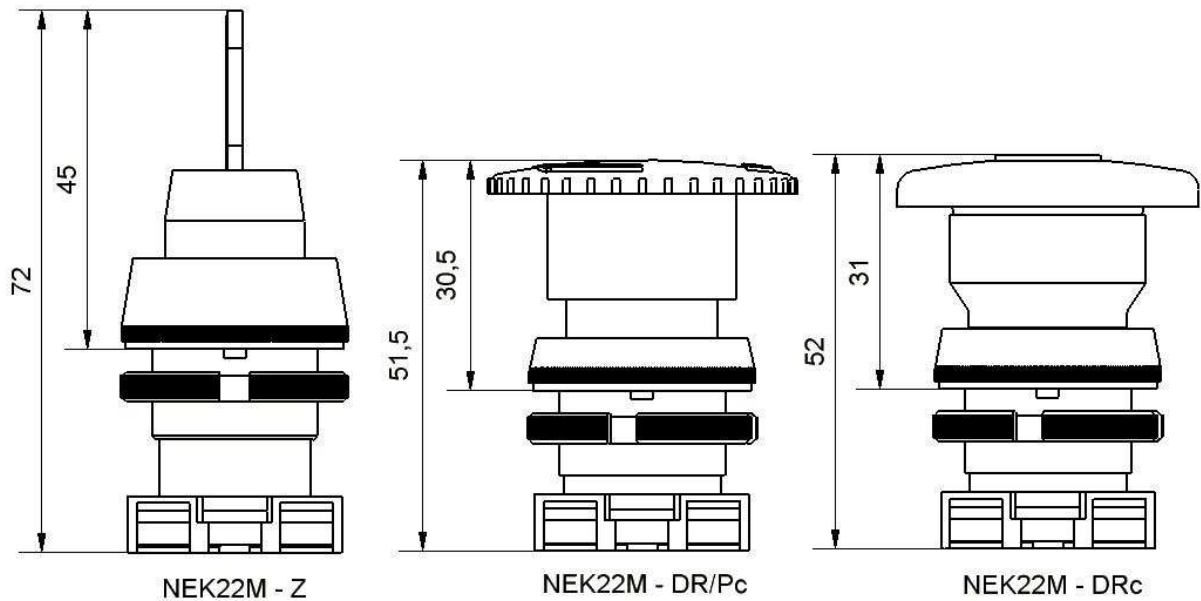
	Type	IP	Symbol of drive	Button color	Weight [g]
	palm locked, turn to release	55	NEF22 – DR/Pc	red	
	palm locked, pull to release	65	NEF22 – DRc	red	

Notice:

1. Contact block type EF22 should be ordered separately.
2. Emergency stop, locked push button drives are consistent with standard PN-EN 60947-5-5.

DIMENSIONS





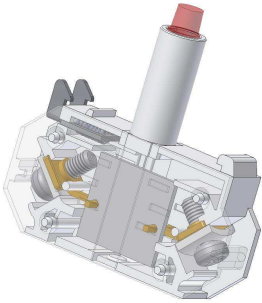
ILLUMINATING BLOCK EF22L

Use and installation

Illuminating block type EF22L is designed for push buttons series NEF22 and NEK22M. Housing of illuminating block EF22L is equipped with two mounting catches (fixed and spring-actuated).

Technical data

Rated voltage U_n	24-230 V AC/DC
LED colour	red green yellow blue white

	Description	Symbol	LED colour
	Universal illuminating block LED 24-230 V AC/DC	EF22Lc EF22Lz EF22Lg EF22Ln EF22Lb	red green yellow blue white

CONTACT BLOCK TYPE EF22

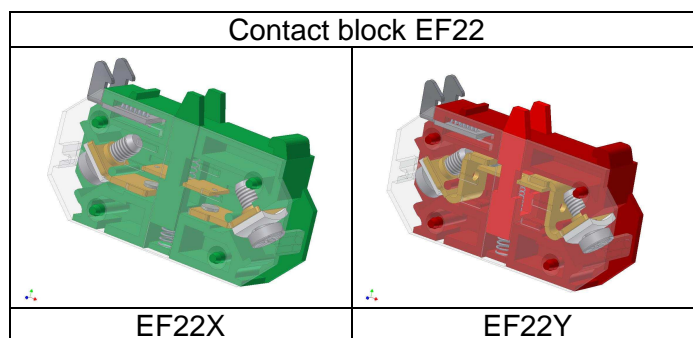
Use, construction and installation

Contact blocks type EF22 are designed for push buttons series NEF22 and NEK22M. Contact block EF22X has one contact normally open (1NO), EF22Y has one contact normally closed (1NC). Housing of contact block EF22 is equipped with two mounting catches (fixed and spring-actuated). Contact block EF22Y (1NC) accomplishes technical requirement of positive opening.

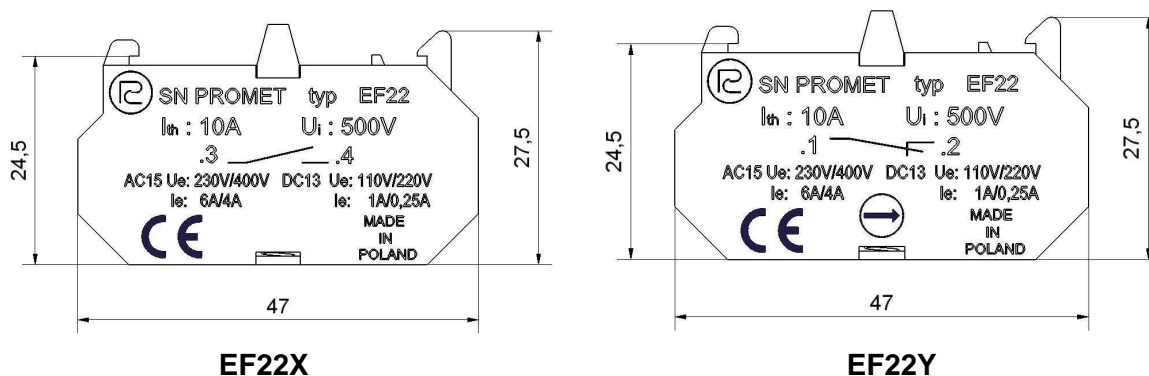
Technical data

Rated insulation voltage (U_i)	500 V
Rated permanent current (I_{th})	10 A
Rated voltage and switched currents in user's categories (U_e/I_e) AC15 DC13	230V/6A, 400V/4A 110V/1A, 220V/0,25A
Rated voltage – voltage surge (U_{imp})	4 kV
Type and the greatest protection value against results of short-circuit currents operation	gG 6A
Environmental pollution degree	2
Cross sections of connecting wires	1 or 2 x LY 0,75 ... 1,5 mm ² 1 or 2 x DY 1,0 ... 1,5 mm ²
Travel of positive opening ¹⁾	3 mm
Total travel ¹⁾	4,7 mm
Minimum force required to achieve positive opening ¹⁾	1,7 N
¹⁾ Values connected with positive opening for contact block EF22Y.	

Product consistent with standard IEC 60947-5-1



DIMENSIONS



X-ON Electronics

Largest Supplier of Electrical and Electronic Components

Click to view similar products for [Pushbutton Switches](#) category:

Click to view products by [Promet](#) manufacturer:

Other Similar products are found below :

[LW1L-M1C10V-A](#) [LW2L-A1C20M-GD](#) [LW2L-M1C20M-A](#) [60324L](#) [M7E-HRN2](#) [67021K512](#) [67081K512X](#) [701PB580](#) [719-5504-000](#)
[MDPSSGLFS](#) [810KSV30B](#) [FLT 2U EE 01A](#) [MML21KA3ABK](#) [MML23KA3AC05K-001](#) [MML23KW3AA01W](#) [8418K2](#) [8646AB6X718UL](#)
[8646ABUL](#) [FSDWH](#) [9001KXRK](#) [9001T8BK](#) [9533CD4+U574+U4922](#) [1203MRA](#) [A22EM01S](#) [A595](#) [1202A6](#) [12037A2ULCSA](#) [1203A2UL](#)
[ABD122N-B](#) [1211390004](#) [ABN111-Y](#) [ABN400-R](#) [1211500044](#) [1211580012](#) [1212MRA](#) [1232A6NF](#) [RA3CSH6A](#) [1241.1183.7047](#)
[1241.2511](#) [1241.3428](#) [1223A2ULCSA](#) [1223MRA](#) [1232AX2119](#) [1241.1183.8000](#) [1241.1183.8029](#) [1241.2506](#) [1241.2606](#) [12MA6](#)
[1301940184](#) [RELBARF6X10\(PLASTIC\)](#)