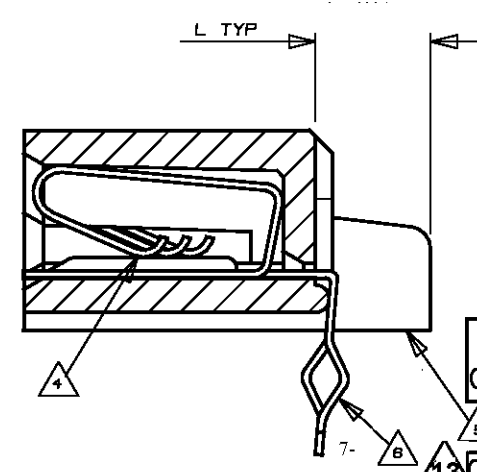
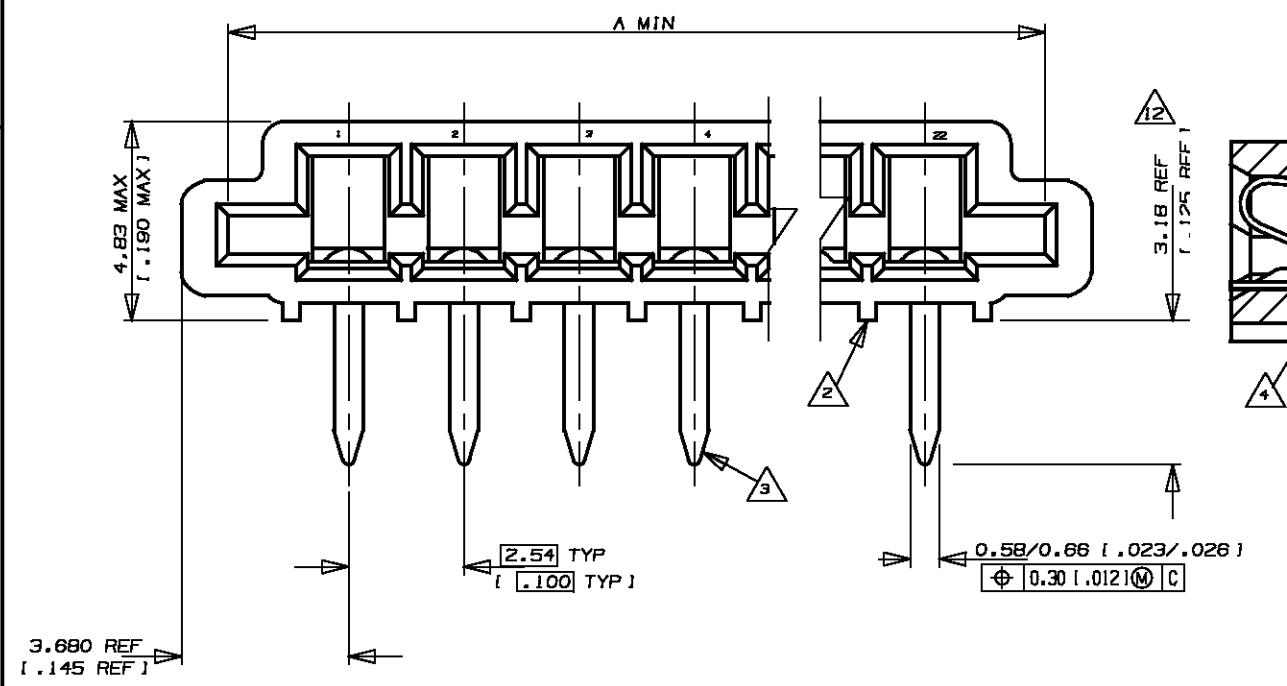
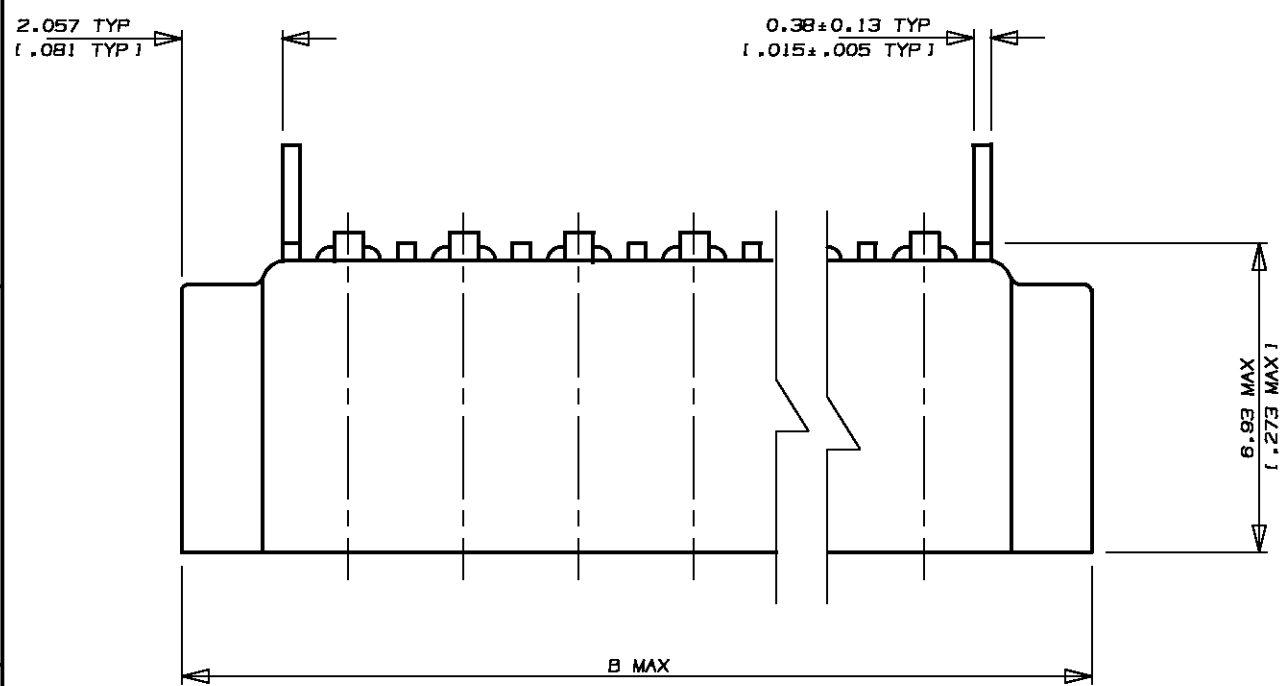


487508
METRIC

DIMENSIONS IN MM (INCHES). DO NOT SCALE PRINT

PRINT DIST



- NOTES
- CONNECTOR WILL ACCEPT FLEXIBLE PRINTED CIRCUIT OR FLAT FLEXIBLE CABLE ON 2.54 (.100) CENTERS IN A THICKNESS RANGE OF 0.127 TO 0.38 (.005 TO .015) IN CONTACT AREA
 - STAND-OFFS PREVENT SOLVENT ENTRAPMENT
 - LEAD-IN ON PINS FOR EASE OF INSERTION INTO BOARD
 - SEQUENTIAL CONTACTS REDUCE CABLE INSERTION FORCE
 - STABILIZING WING MAY BE REMOVED BY CUSTOMER IF NECESSARY
 - ALTERNATING CONTACT FORM RETAINS CONNECTOR IN P.C. BOARD DURING SOLDER OPERATION
 - ACCEPTS CABLE OR CIRCUITRY WITH EXPOSED CONDUCTORS FACING TOWARD OR AWAY FROM THE BOARD SURFACE
 - REFER TO APPLICATION SPEC 114-2062
 - MATERIAL
HOUSING : GLASS REINFORCED POLYESTER
THERMOPLASTIC UL 94 VO RATED, BLACK
CONTACT : PHOS BRONZE
 - CONNECTOR IS HIGH NORMAL PROCE
 - MATTE TIN, 0.005 (.0002) MIN THK OVER COPPER 0.003 (.00015) MIN THK ON ENTIRE CONTACT
 - AREA INDICATED SHALL MEET SOLDERABILITY SPEC 109-11-1
 - OBsolete PARTS: OBsolete CIS STREAMLINING PER D.RENAUD/D.SINISI

	LEAD FREE				SUPERSEDED	
487508-8	1.067 [.042]	25.22 [.993]	23.01 [.906]	8	2-487508-8	
487508-1		80.78 [2.393]	58.57 [2.306]	22	2-487508-1	
487508-0		58.24 [2.293]	56.03 [2.206]	21	2-487508-0	
487508-9		55.70 [2.193]	53.49 [2.106]	20	1-487508-9	
6-487508-8		53.16 [2.093]	50.95 [2.006]	19	1-487508-8	
487508-7		50.62 [1.993]	48.41 [1.906]	18	1-487508-7	
487508-6		48.08 [1.893]	45.87 [1.806]	17	1-487508-6	
6-487508-5		45.54 [1.793]	43.33 [1.706]	16	1-487508-5	
487508-4		43.00 [1.693]	40.79 [1.606]	15	1-487508-4	
6-487508-3		40.46 [1.593]	38.25 [1.506]	14	1-487508-3	
6-487508-2		37.92 [1.493]	35.71 [1.406]	13	1-487508-2	
487508-1		35.38 [1.393]	33.17 [1.306]	12	1-487508-1	
6-487508-0		32.84 [1.293]	30.63 [1.206]	11	1-487508-0	
487508-9		30.30 [1.193]	28.09 [1.106]	10	487508-9	
5-487508-8		27.76 [1.093]	25.55 [1.006]	9	487508-8	
5-487508-7		25.22 [.993]	23.01 [.906]	8	487508-7	
5-487508-6		22.68 [.893]	20.47 [.806]	7	487508-6	
5-487508-5		20.14 [.793]	17.93 [.706]	6	487508-5	
5-487508-4		17.60 [.693]	15.39 [.606]	5	487508-4	
5-487508-3		15.06 [.593]	12.85 [.506]	4	487508-3	
487508-2		12.52 [.493]	10.31 [.406]	3	487508-2	
487508-1	2.540 [.100]	9.98 [.393]	7.77 [.306]	2	487508-1	

		PART NO	L	B	A	POS	PART NO
E3	ECR-10-022530	KK	HMR	07FEB11	Copyright ©1993 TE MANUFACTURING (SINGAPORE) PTE. LTD. ALL RIGHTS RESERVED.		
E2	REVISED PER ECO-09-026346	KK	AEG	27NOV09	TE Connectivity		
E1	REVISED AS PER ECR-06-04332	PM	KS	21FEB06	(WIRE RANGE)	(INSULATION DIA.)	(NAME)
E	REVISED FR00-0011-04	SD	PCH	19FEB04	mm ² (AWG -)	- mm	TRIOMATE HORIZONTAL CABLE ENTRY FOR 1.57 [.062] THK P.C. BOARD
D	REVISED FP00-0120-98	LWY	TLP	31MAR98	(MATERIAL)	(FINISH)	(GENERAL TOLERANCE)
C	REDRAWN DY/EC/07B4	LWY	SL	30.7.93	9	11	± 0.38 [± .015]
LTR	(REVISION RECORD)	DR	CHK	DATE	DR. WYLEE 30.7.93	DE. A.SOH	SIZE A3 LOC DY (No.) 487508
					CHK. SALLY 30.7.93	APP. PETER de JONG	(SCALE) 6:1 REV. E3 SHEET 1 OF 1

(CUSTOMER DRAWING)

X-ON Electronics

Largest Supplier of Electrical and Electronic Components

Click to view similar products for [FFC & FPC Connectors](#) category:

Click to view products by [TE Connectivity](#) manufacturer:

Other Similar products are found below :

[HFW11R-1STE1H1LF](#) [FH29B-100S-0.2SHW\(99\)](#) [FA5S008HP1](#) [FH29B-120S-0.2SHW\(99\)](#) [FH29B-80S-0.2SHW\(99\)](#) [FHS-16](#) [FPH-2022G](#)
[52610-1075](#) [52610-1275](#) [52610-1934](#) [XF3M\(1\)-1415-1B-R100](#) [501864-3091-TR225](#) [0525594033](#) [086210010340800](#) [086222026001800](#)
[52271-2869-CUT-TAPE](#) [62674-201121DLF](#) [62684-36210E9ALF](#) [52610-1675](#) [52746-1671-TR250](#) [10051922-2810EHLF](#) [6-520415-9](#)
[BD021-09A-A1-0350-0200-0550-LD](#) [SFV6R-1STE9HLF](#) [XF3M-2915-1B-R100](#) [1658549-1](#) [62674-221121ALF](#) [46214008010800](#)
[046298003000883](#) [151660622](#) [842-816-2630-035](#) [AYF530665TA](#) [AYF351525](#) [046296011930846+](#) [AYF352325A](#) [046254020000800+](#)
[FH19C-13S-0.5SH\(99\)](#) [FH39J-51S-0.3SHW\(99\)](#) [AYF355125A](#) [AYF530365TA](#) [FH29B-44S-0.2SHW\(99\)](#) [SFW5R-2STAE9LF](#) [AYF351125A](#)
[AYF350725A](#) [62684-502100AHLF](#) [FH39-61S-0.3SHW\(99\)](#) [AYF414035A](#) [10064555-172520HLF](#) [AYF212335A](#) [504754-2500](#)