

LDC
HY
DIST

LTR	A	REVISION RECORD	DATE	DWN/AVE
	ECR-06-011029	09.MAY.06	MT	JP

APVD	J.CHEN	CHK	J.PI	CHK	M.TSAI	DWN	ENG.	W.WANG	NAME	TYCO ELECTRONICS CABLE SYSTEMS ASIA PACIFIC
------	--------	-----	------	-----	--------	-----	------	--------	------	---

SIZE	A3	SCALE	—	SHEET	1 OF 1	REV	A
------	----	-------	---	-------	--------	-----	---

THIS DRAWING IS A CONTROLLING DOCUMENT FROM THE CONTROLLING ENGINEERING ORGANIZATION AND SHOULD BE CONTACTED FOR THE LATEST REVISION.

DIMENSIONS:	MM	TOLERANCES UNLESS OTHERWISE SPECIFIED:
0 PLC ±		
1 PLC ±	0.25	
2 PLC ±	0.15	
3 PLC ±	0.05	

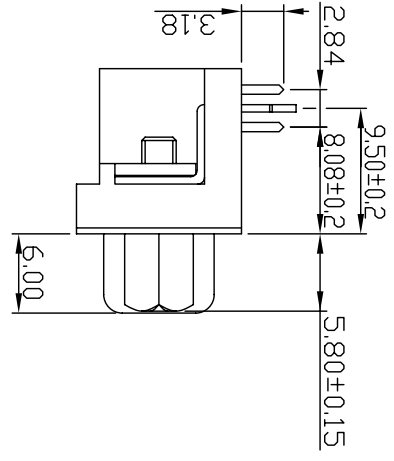
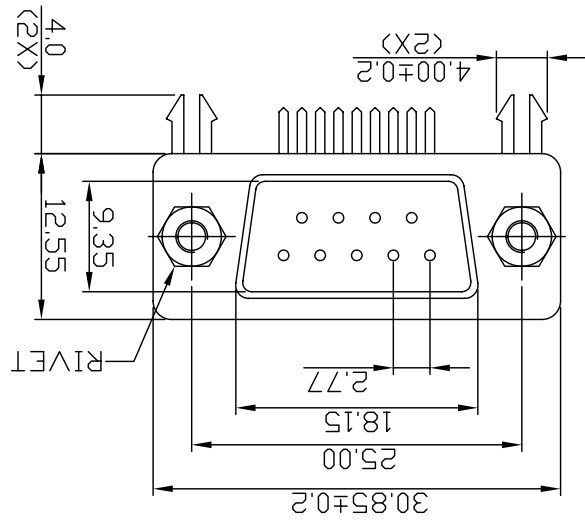
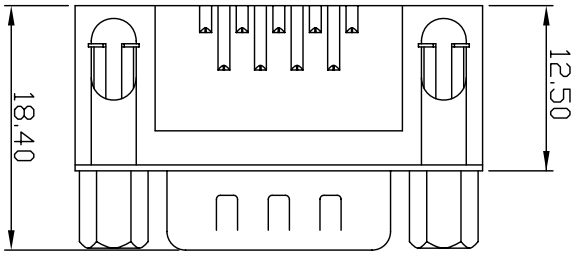
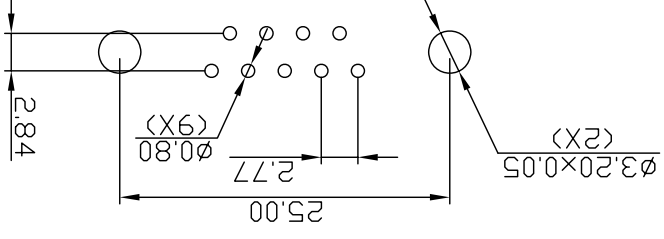
ANGLE	TEXTURE
—	—

CUSTOMER DRAWING

DRAWING NO. R-1909061
RESTRICTED CODE MSI

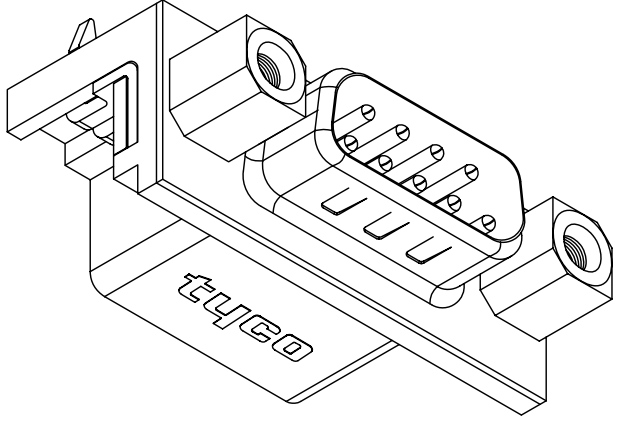
VAD ITEM, D-SUB 9M

RECOMMENDED PCB LAYOUT



RESTRICTED TO MSI

P/N	1909061-1
AS SHOWN	



- NOTES:
- SPECIFICATION: ELECTRICAL SPECIFICATION: CONTACT CURRENT RATING: 3 AMPERES. DIELECTRIC WITHSTANDING VOLTAGE: AC 1000V/60SEC.R.M.S. INSULATION RESISTANCE: 5000 MEGOHMS MINIMUM AT DC 500V. CONTACT RESISTANCE: 25 MILLIOHMS MAXIMUM. OPERATING TEMPERATURE: -55°C TO +105°C. MECHANICAL CHARACTERISTICS: CONTACT INSERTION FORCE: 300GF MAX. CONTACT SEPARATION FORCE: 25GF MIN.
 - MATERIALS: CONTACTS: BRASS. INSULATOR: PBT+30%(KUL94-0). SHELL: STEEL.

X-ON Electronics

Largest Supplier of Electrical and Electronic Components

Click to view similar products for [Headers & Wire Housings](#) category:

Click to view products by [TE Connectivity](#) manufacturer:

Other Similar products are found below :

[95000-104TRLF](#) [10135584-644402LF](#) [DF62W-EP2022PCA](#) [95000-106TRLF](#) [DF62W-2022SCA](#) [DF62W-EP2022PC](#) [2203348](#) [DF62W-2022SC](#) [1084018](#) [1029039](#) [1084017](#) [802-10-012-10-002000](#) [1112640](#) [1112639](#) [891-007-9SS-BST1T](#) [000-34000](#) [0008550134](#) [0009482033](#) [0009507031](#) [57102-F02-18ULF](#) [57102-S06-03LF](#) [57202-S52-04LF](#) [PCN6-15S-2.5E](#) [0039019024](#) [58102-G61-06LF](#) [582553-1](#) [0009485154](#) [0009508121](#) [0022285053](#) [0050291907](#) [018731A](#) [LY20-4P-DT1-P1E-BR](#) [02.125.8002.8](#) [60101931](#) [60598-1 \(Cut Strip\)](#) [M1625-3R/100](#) [61062-3](#) [61082-181009](#) [CSU011177004](#) [636-1427](#) [638009-1](#) [641938-9](#) [641991-4](#) [644168-1](#) [644827-2](#) [647662-1](#) [65039-019ELF](#) [65692-001LF](#) [65781-018](#) [65781-047](#)