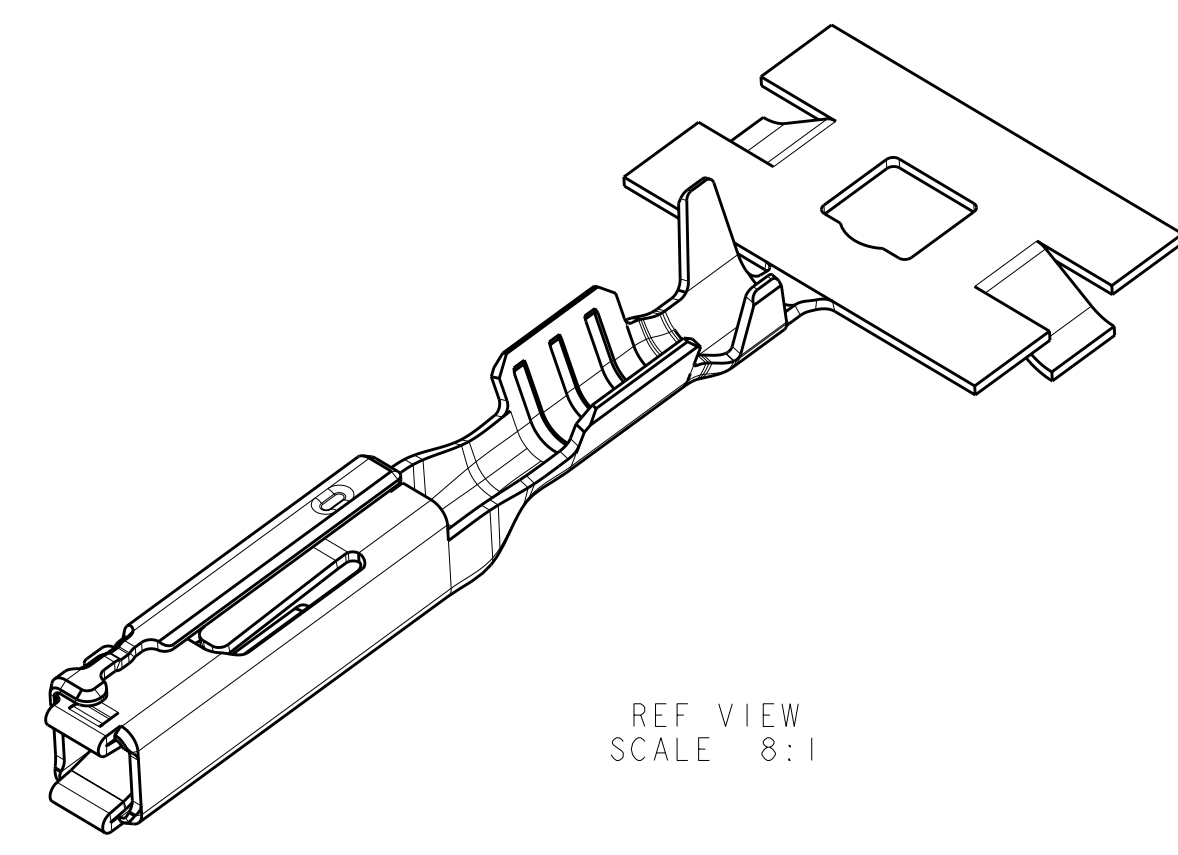
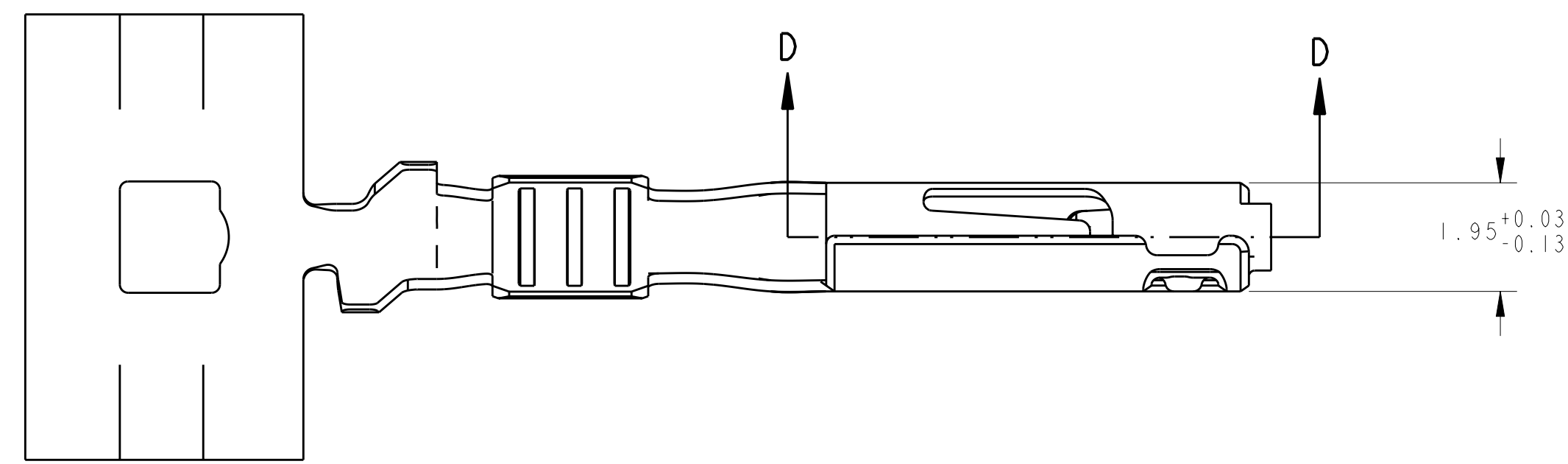
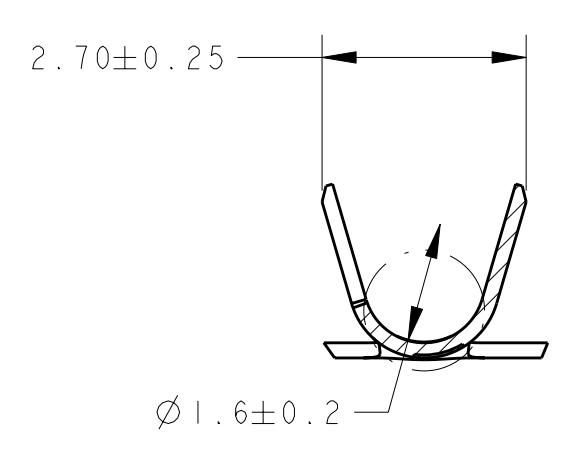
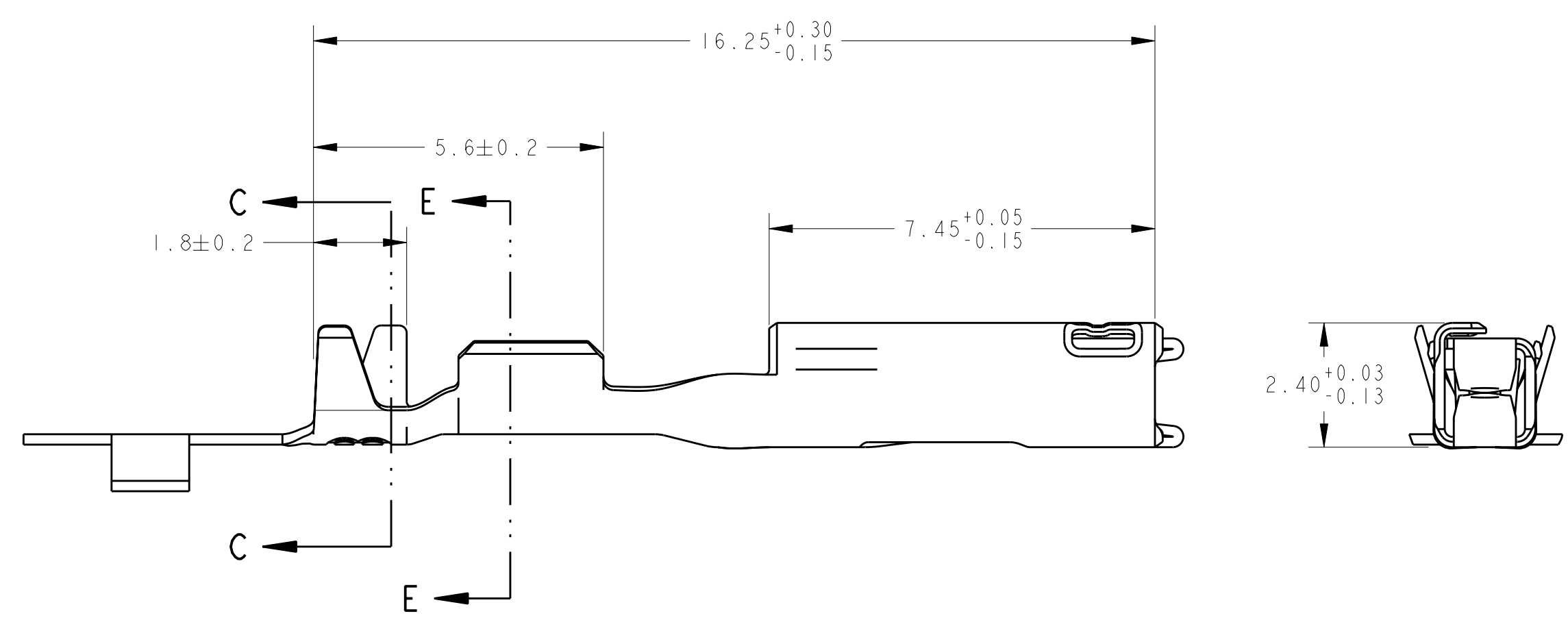


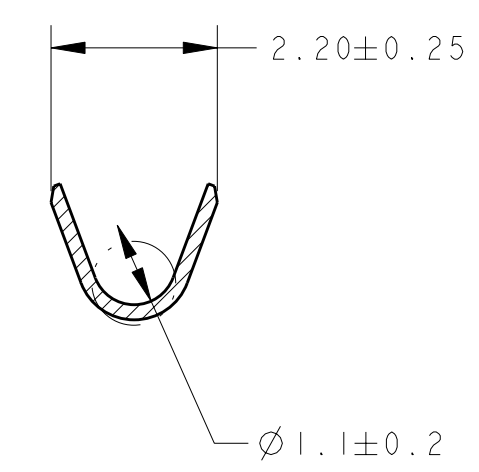
LOC	DIST	REVISIONS			
		REV	DATE	BY	APPD
IN	00	A1	30 JUL 2009	DLD	WTW
		A2	19 AUG 2011	DLD	WTW



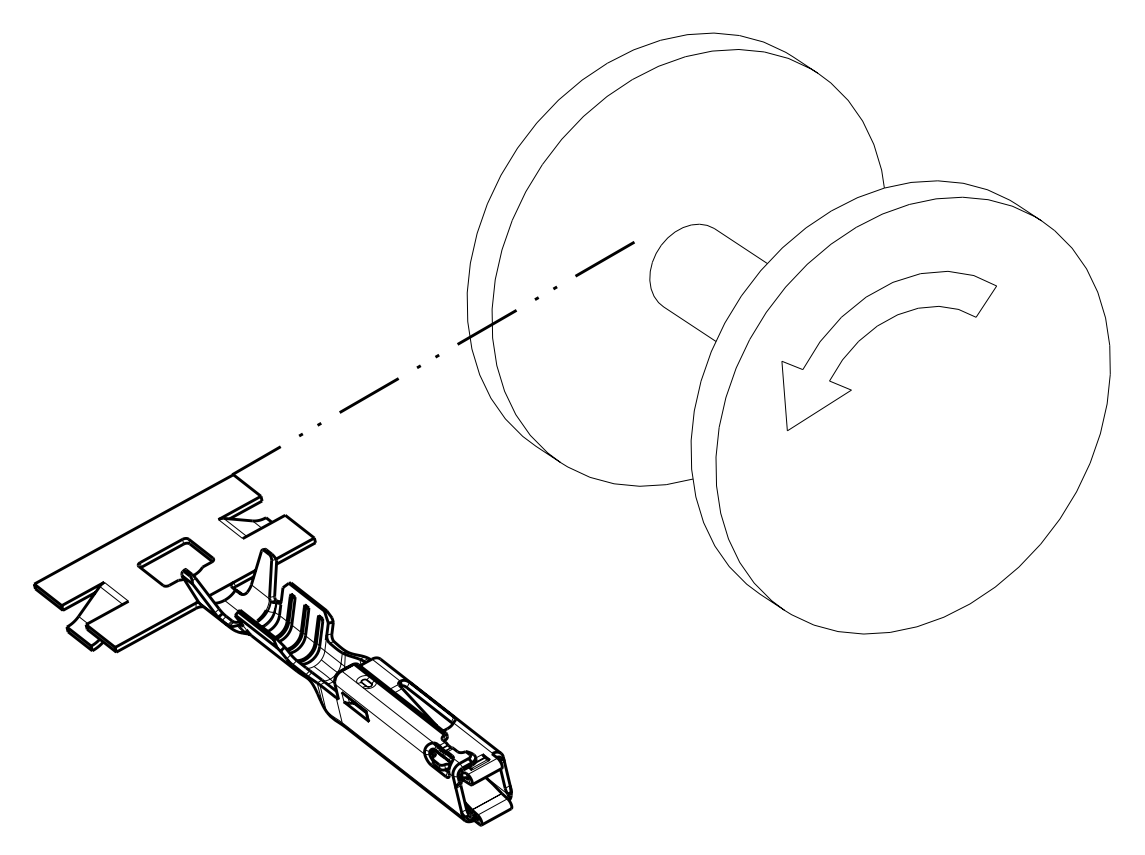
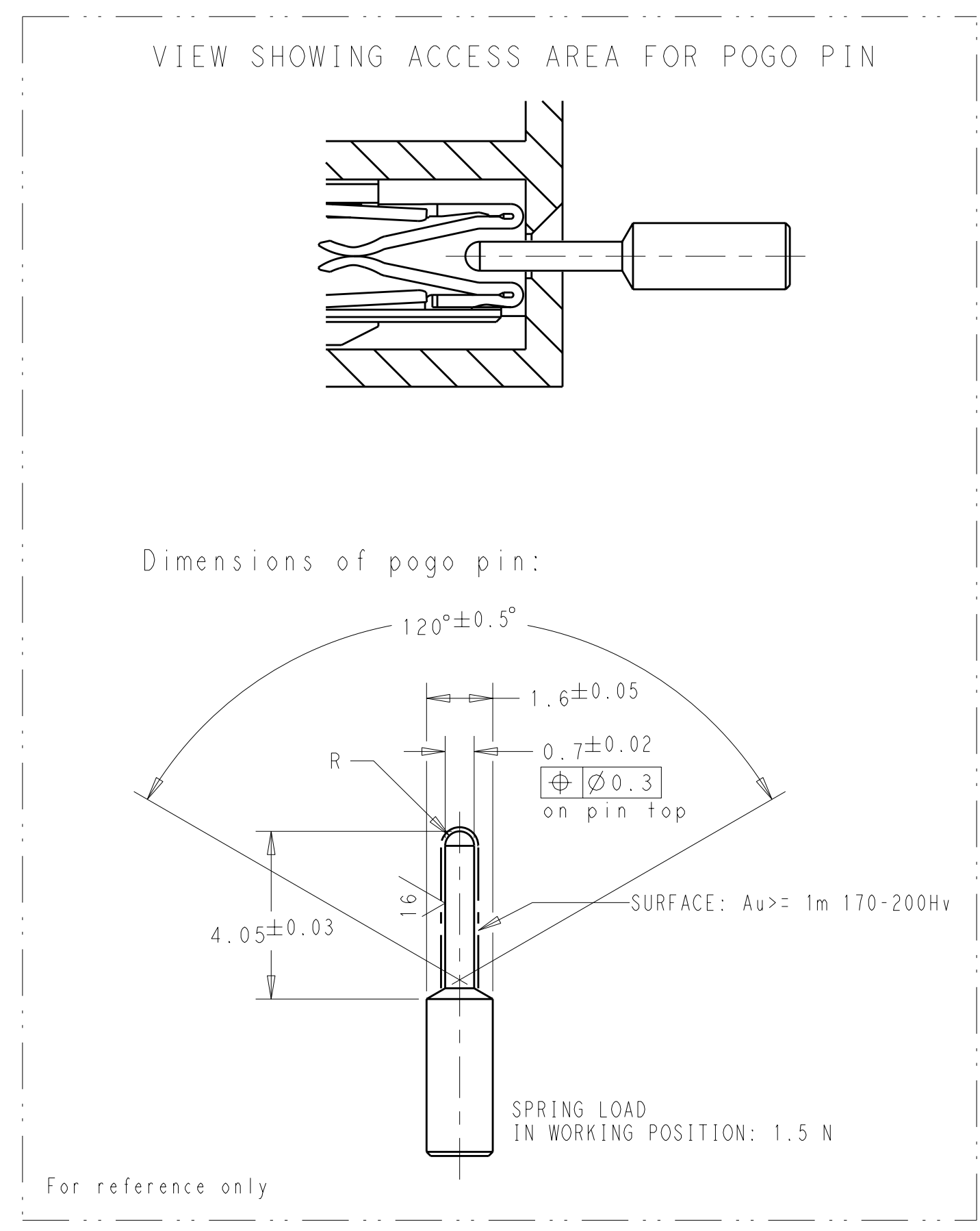
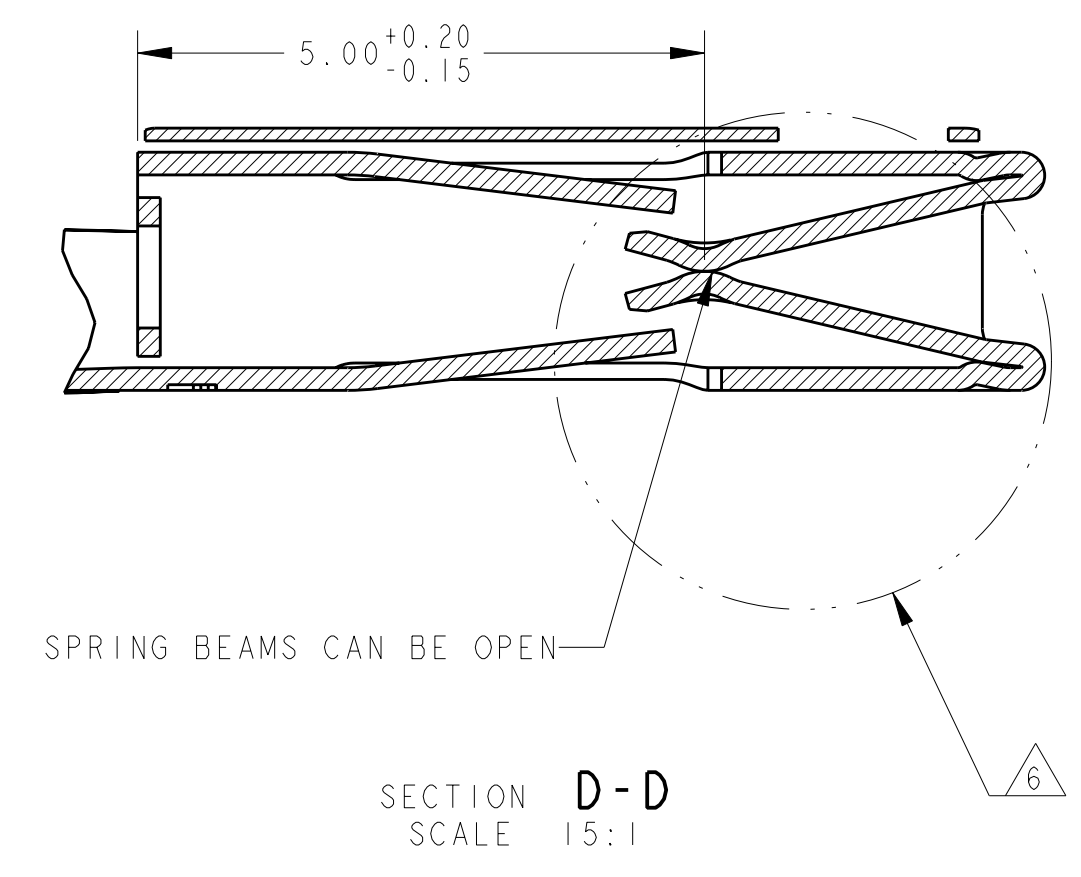
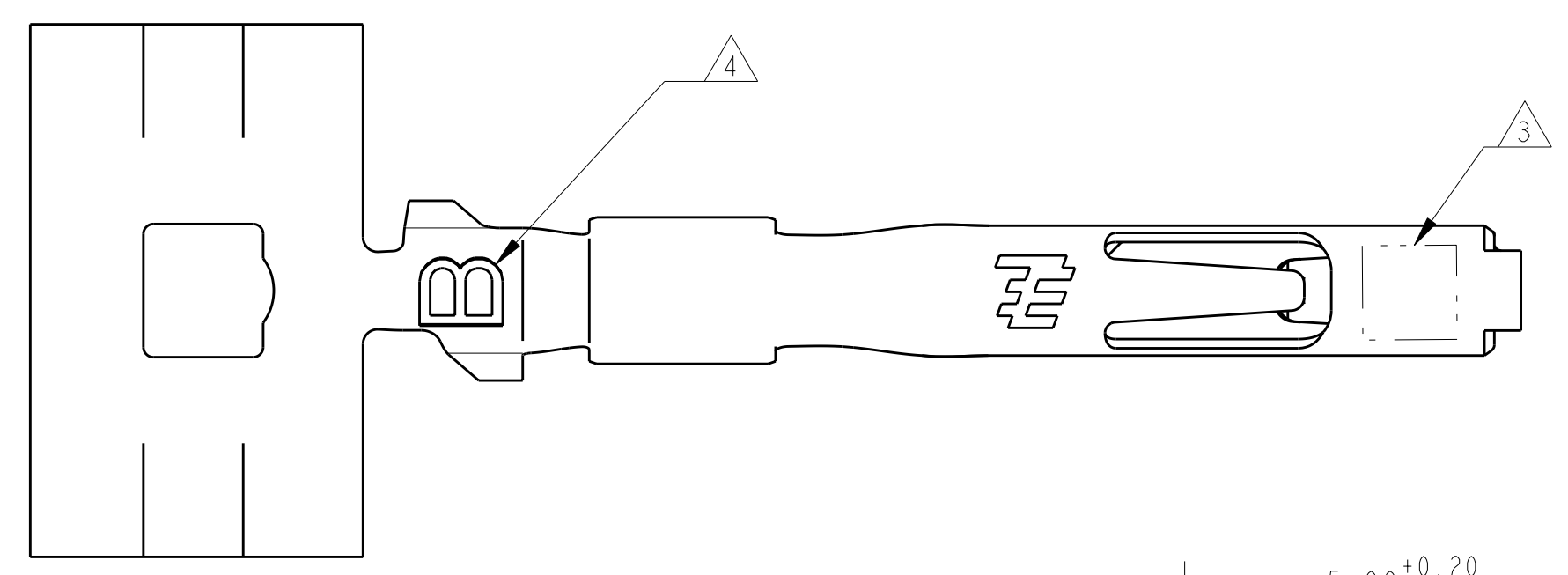
- 1 MATERIAL: COPPER ALLOY
- 2 FINISH: PRE-PLATED WITH 1.00µm MIN SPECIAL TIN-SILVER PLATE (APPLIES TO CONTACT ALL OVER)
- 3 SYMBOL "T" INDICATES SPECIAL TIN-SILVER PLATE. NO SYMBOL INDICATES SILVER PLATE.
- 4 MARK CRIMP CODE "B"
- 5. DIE FEED IS 8.00mm
- 6 OPTIMOL (UNDILUTED) LUBRICATION IN THIS AREA
- 7 FINISH: PRE-PLATED SILVER, 3 - 5µm SILVER PLATE (CONTACT AREA ONLY), SILVER FLASH REMAINDER OF PART.



SECTION C-C



SECTION E-E



1924879-2
1924879-1
FINISH PART NUMBER

THIS DRAWING IS A CONTROLLED DOCUMENT.		DWN: F. KINSEY 21APR2009	TE Connectivity	
DIMENSIONS: mm		CHK: F. KINSEY 21APR2009	GET FEMALE TERMINAL, 1.20mm THIN, 18/20 AWG	
TOLERANCES UNLESS OTHERWISE SPECIFIED:		APVD: W. WELLSKY 21APR2009	RESTRICTED TO	
0 PLC ±	1 PLC ±0.15	PRODUCT SPEC	SIZE: CAGE CODE: DRAWING NO: A100779C=1924879	SHEET 1 OF 1
3 PLC ±	4 PLC ±	APPLICATION SPEC	WEIGHT: 0.17 G	REV: A2
ANGLES ±	FINISH	114-13236	CUSTOMER DRAWING	SCALE: 10:1

## X-ON Electronics

Largest Supplier of Electrical and Electronic Components

*Click to view similar products for [Terminals](#) category:*

*Click to view products by [TE Connectivity](#) manufacturer:*

Other Similar products are found below :

[HT-13-10](#) [71M-250-32-NB](#) [01-2065-1-0216](#) [00581P0075](#) [M10-10RX](#) [M10BCK](#) [60205-1](#) [604200-1](#) [60598-1-CUT-TAPE](#) [60617-1-C](#) [60873-1](#) [M14-516R/SK](#) [M14-6RSX](#) [M18-10FLX](#) [M18-8FBX](#) [M18-8R/LX](#) [M18BCK](#) [61314-6-C](#) [61-S](#) [61-SN-A](#) [62-NBM-A](#) [63-S](#) [640179-1](#) [640917-2-CUT-TAPE](#) [6501550002](#) [66107-2-C](#) [66107-4-C](#) [696683-1](#) [696834-1](#) [696861-1](#) [696931-1](#) [696999-1](#) [M8-516RK](#) [M86700006](#) [MA250DMFMX-A](#) [701-2007](#) [701-2307](#) [701-7761-03](#) [70F-110-32-PB](#) [718-N-A](#) [71M-187-20-NBL](#) [71M-250-32-NBL](#) [72F-187-20-NBL](#) [72M-250-32-NBL](#) [7310](#) [73F-250-32](#) [73F-250-32-NBL](#) [73F-250-32-NL](#) [F14-10C](#) [F-1M](#)