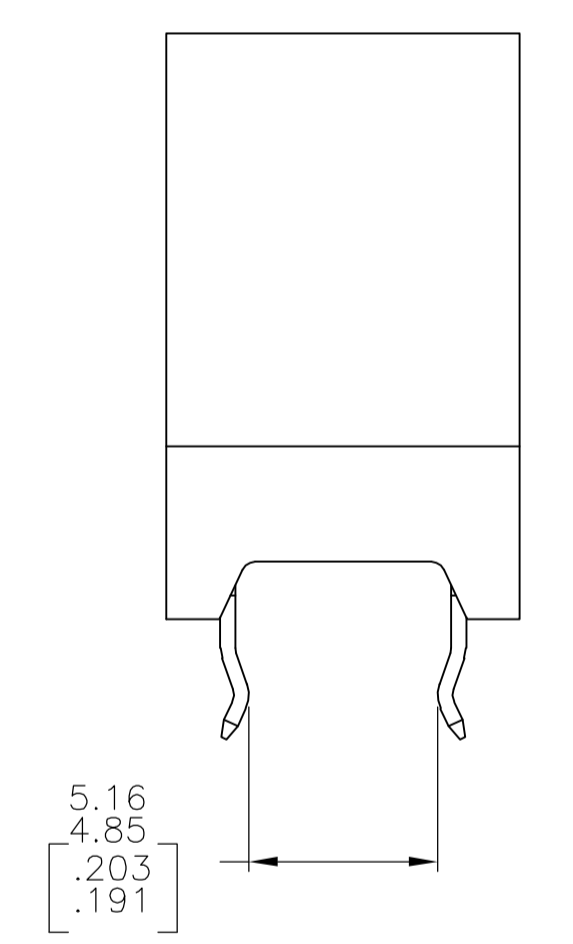
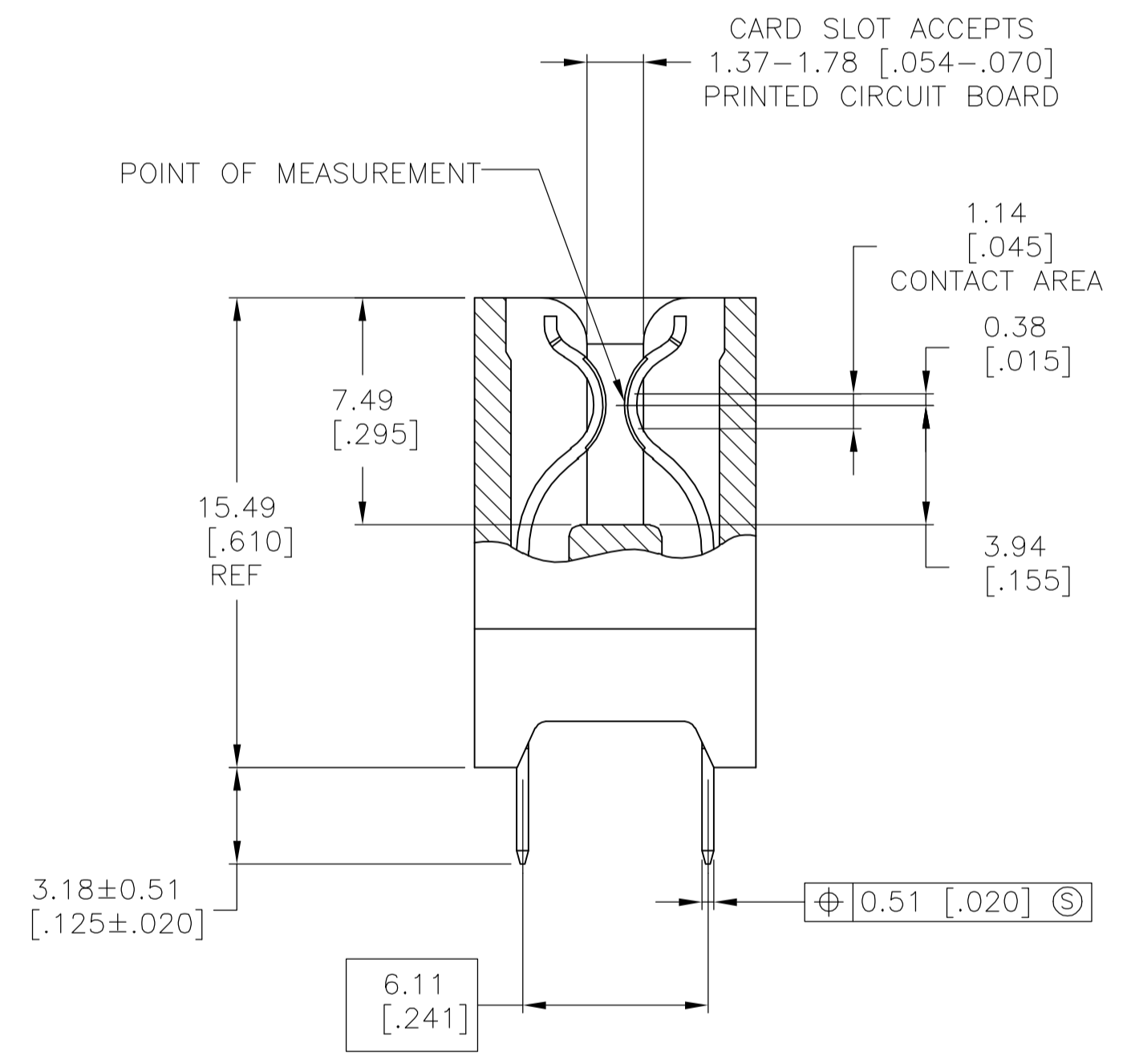
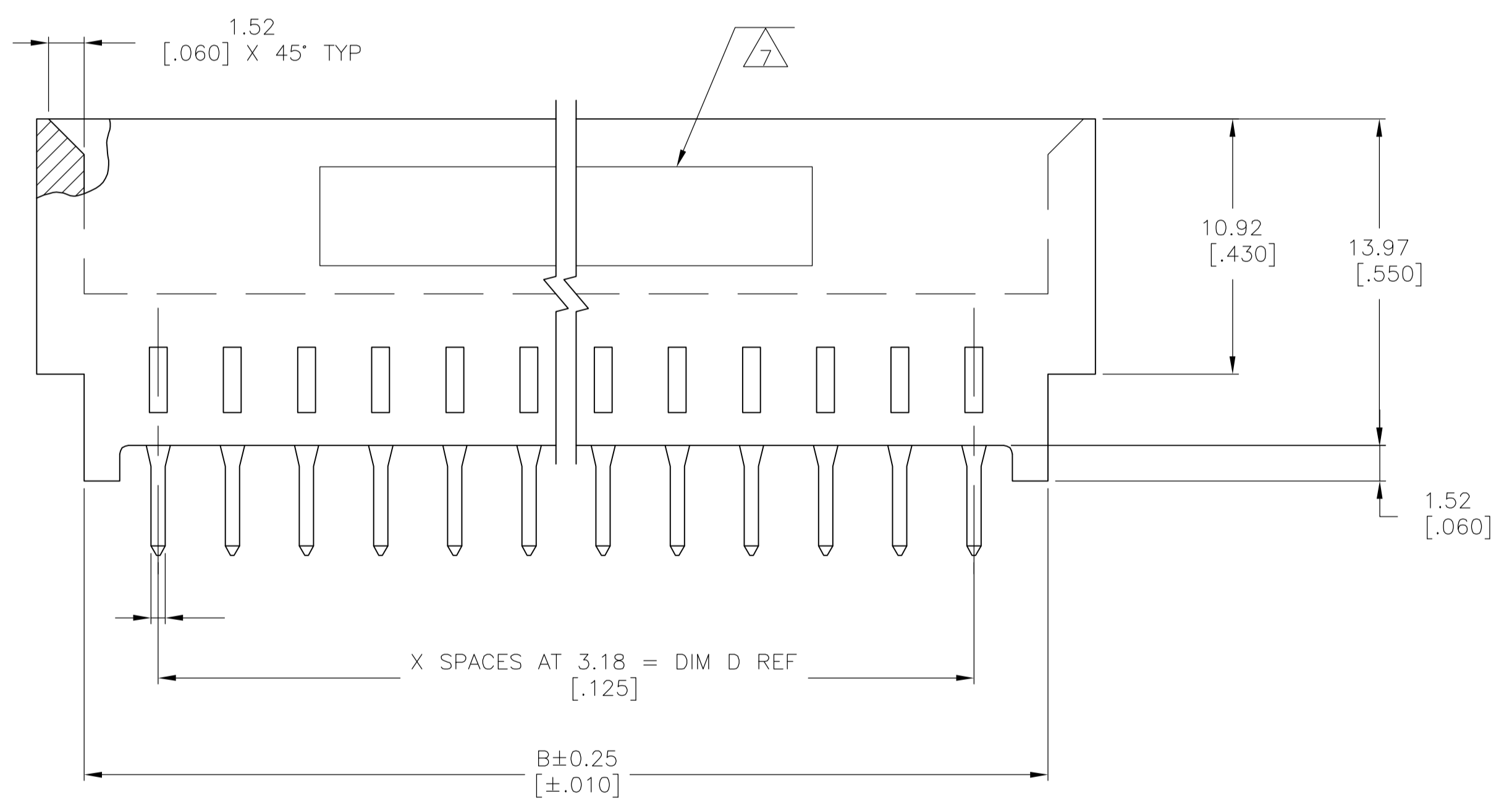
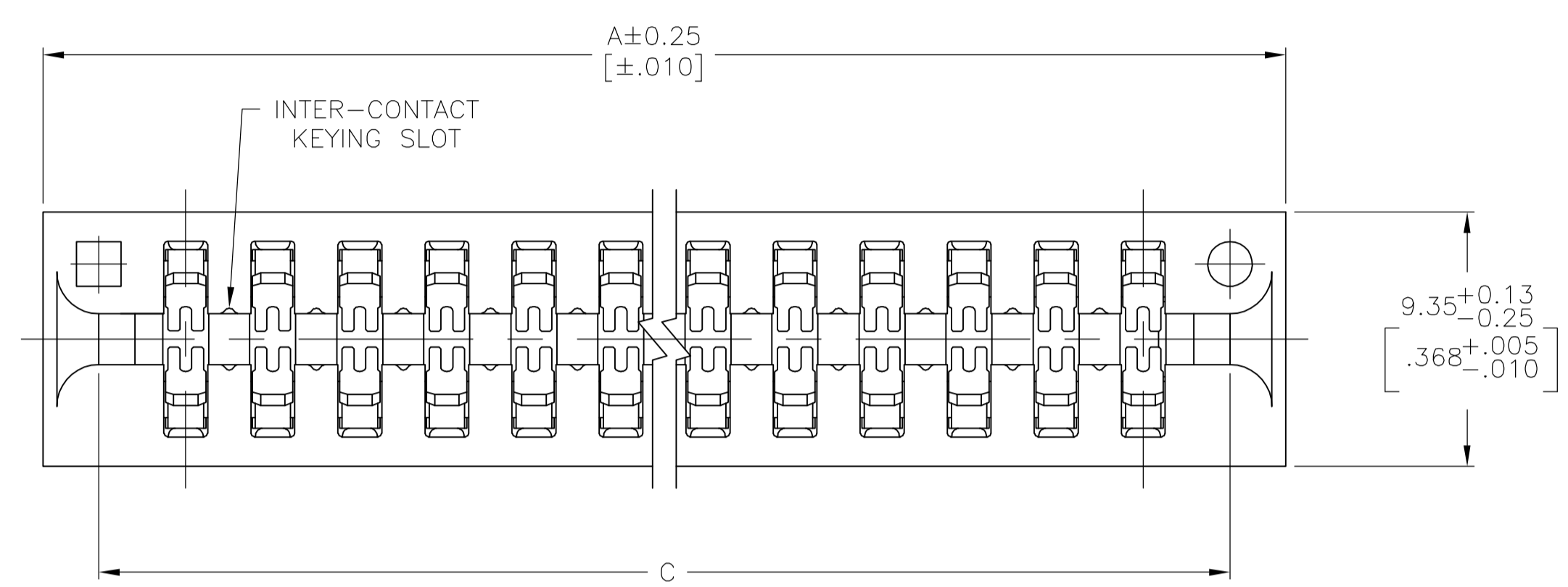


- 1 HOUSING: GLASS FILLED POLYESTER; COLOR: BLACK.
- 2 CONTACT: PHOSPHOR BRONZE.
- 3 NICKEL UNDERPLATE: 0.00127 [.000050] MIN - ALL OVER.
- 4 TIN-LEAD PLATE: 0.00254 [.000100] MIN - SOLDER POSTS.
- 5 GOLD PLATE: 0.00076 [.000030] MIN - CONTACT AREA.
- 6 NICKEL PLATE PER MIL-G-45204.
GOLD PLATE PER QQ-N-290.
- 7 AMP PART NUMBER AND DATE CODE ARE MARKED IN APPROXIMATE AREA SHOWN, EITHER SIDE.
- 8. RECOMMENDED PCB FINISHED HOLE DIA: 1.02 ± 0.08 [.040 ± .003].
- 9. THE RETENTIVE FEATURE OF THIS CONNECTOR IS DESIGNED FOR FULL SEATING IN .062 ± .008 THICK CIRCUIT BOARDS. FOR APPLICATIONS IN BOARDS OF OTHER THICKNESSES CONTACT AMP INCORPORATED.
- 10 MATTE TIN PLATE: 0.00254 [.000100] MIN - SOLDER POSTS.



BOARD RETENTION FEATURE

3-10	15.88 [.625]	22.22 [.875]	22.22 [.875]	26.29 [1.035]	5	6	△ 5-650207-1
3-10	15.88 [.625]	22.22 [.875]	22.22 [.875]	26.29 [1.035]	5	6	650207-1
BOARD RETENTION LOCATION	D	C	B	A	X	NO OF POSN.	PART NUMBER

THIS DRAWING IS A CONTROLLED DOCUMENT. 11/6/91

BY: R. SHIREY/UTA 8-10-92

CHK: J. DIORAZIO

APVD: J. DIORAZIO 8-10-92

NAME: Tyco Electronics Corporation, Harrisburg, Pa 17105-3608

PRODUCT SPEC: 108-9039

APPLICATION SPEC: 3.18 [.125] CL, SELECT BOARD RETENTION

SIZE: A1 00779 C=650207

WEIGHT: -

MATERIAL: HOUSING: △ CONTACT: △△△△

CUSTOMER DRAWING SCALE 5:1 SHEET 1 OF 1 REV C

X-ON Electronics

Largest Supplier of Electrical and Electronic Components

Click to view similar products for [Standard Card Edge Connectors](#) category:

Click to view products by [TE Connectivity](#) manufacturer:

Other Similar products are found below :

[6565204-6](#) [PKC-156](#) [1437274-4](#) [147889-1](#) [1489165-4](#) [EBT156-12B1X](#) [EBT15622B2X](#) [EBT156-22R2W](#) [1-582587-1](#) [1-582589-1](#) [2-6437275-9](#) [284-0102-12100](#) [306022901000000](#) [307-012-502-202](#) [307-024-526-201](#) [307-056-520-300](#) [307-080-526-208](#) [1926088-2](#) [245-062-520-350](#) [287-0032-12101](#) [306-010-500-112](#) [306-028-525-102](#) [306-240-318](#) [307-036-502-202](#) [307-036-521-301](#) [307-072-526-202](#) [345-060-559-303](#) [368-004-520-201](#) [392-008-559-201](#) [534671-1](#) [5-530501-5](#) [341-240-317](#) [345-029-520-300](#) [345-030-500-301](#) [345-044-500-300](#) [345-220-058](#) [346-240-318](#) [357-030-526-201](#) [387-012-523-300](#) [395-044-520-300](#) [395-100-524-300](#) [50-12B-10](#) [50-6SN-5](#) [09-07-2032](#) [10035388-106LF](#) [10035388-802LF](#) [10115859-011LF](#) [10122859-009LF](#) [101269333204245CLF](#) [10127905-B04B24BLF](#)