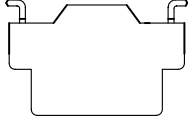
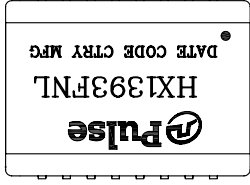




NOTES:

1. ROHS COMPLIANT
2. HEADER: DAP (DIALYL PHTHALATE) WITH FLAMMABILITY RATING UL 94V-0 OR BETTER.
3. STORAGE TEMPERATURE: -50°C TO +125°C
4. COMPLIANCE TO J-STD:
 A. J-STD-002: SOLDERABILITY AT 245°C REFLOW PROFILE
 B. J-STD-020: LEVEL 1, NO MOISTURE SENSITIVE
 C. J-STD-075: R7, 245°C MAXIMUM THROUGH REFLOW SOLDER
 TO ORDER TAPE & REEL PACKAGING ADD A "T" SUFFIX TO THE PART NUMBER (i.e. HX1393FNL BECOMES HX1393FNLT).



FINAL OUTLINE

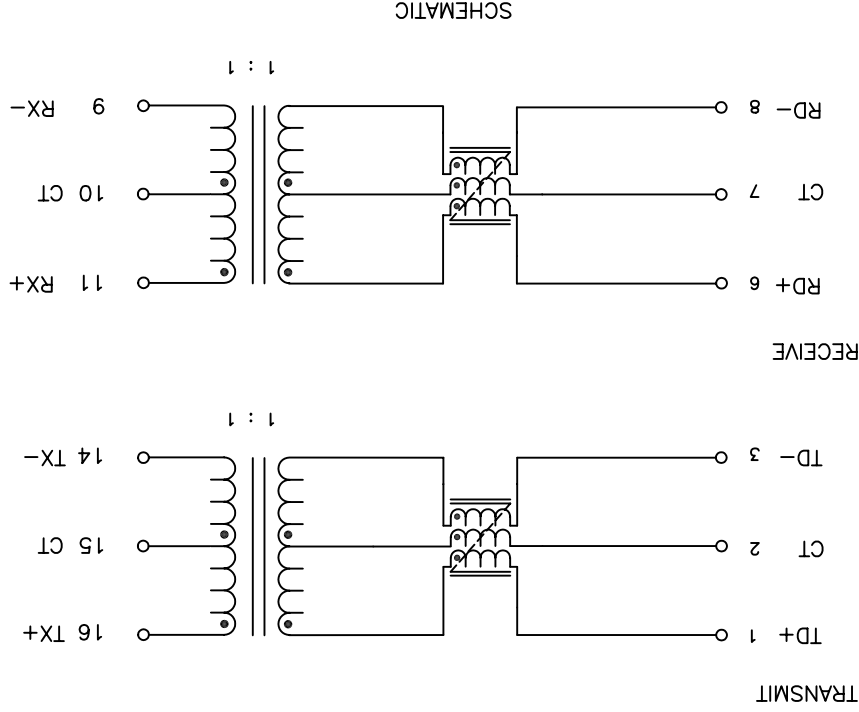
PRODUCT DESCRIPTION	TLA DRAWING	PS DRAWING	SHEET	PART NO.	DATASHEET REV.
MDL,SIN,100P,1:1,SM,TU	HX1393FNL-10	PS-2005.002-D	1 OF 3	HX1393FNL	A

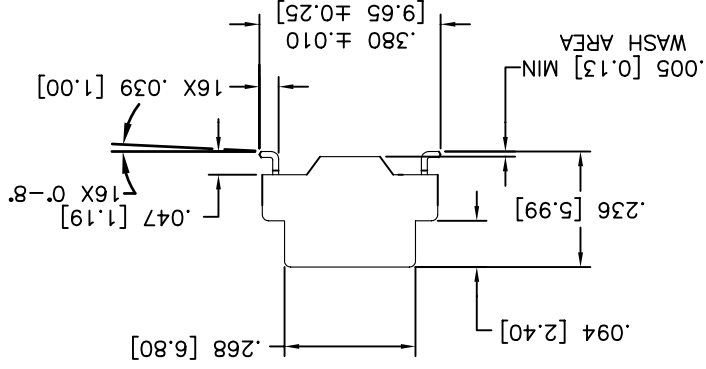
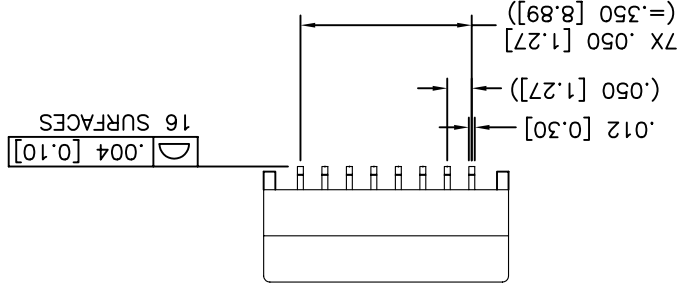
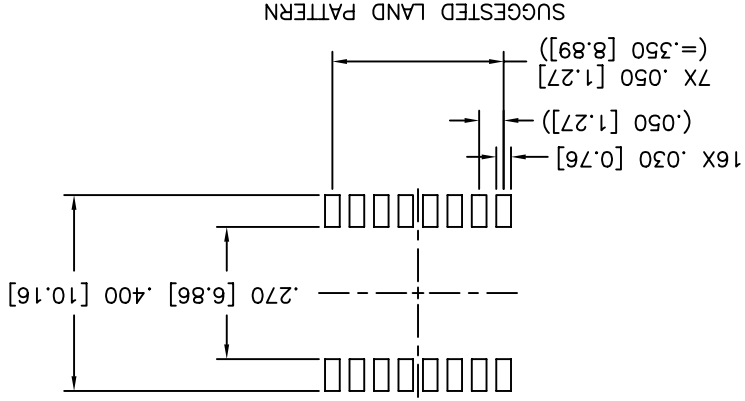
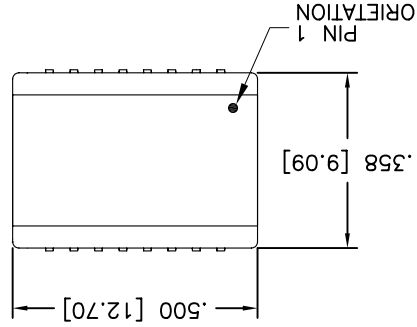
© Copyright, 2014. Pulse Electronics Corp. All rights reserved. Pulse confidential & proprietary. (06/12/14)

ELECTRICAL CHARACTERISTICS AT +25°C UNLESS OTHER SPECIFIED
 MEETS IEEE 802.3 SPECIFICATION

PARAMETER		SPECIFICATIONS	
OPERATING TEMPERATURE	-40°C ~ +85°C		
TURNS RATIO	1 : 1 ± 2%		
POLARITY	PER SCHEMATIC		
INSERTION LOSS	100 KHZ	-1.2 DB MAX	-0.2-0.002*f ^{1.4} DB MAX
	.1-30 MHZ	-16 DB MIN	-10+20*LOG ₁₀ (f/60 MHZ) DB MIN
RETURN LOSS	(Z OUT = 100 OHM ±15%)	-1.30 MHZ	30-60 MHZ
INDUCTANCE (OCL)	(MEDIA SIDE, -40°C~+85°C)	350 uH MIN	(MEASURED AT 100 KHZ, 100 mVRMS)
		1 MHZ	
CROSSTALK, ADJACENT CHANNELS	-50 DB MIN	-55+22*LOG ₁₀ (f/10) DB MIN	10-100 MHZ
	2 MHZ	-43+22*LOG ₁₀ (f/30) DB MIN	30-100 MHZ
DIFFERENTIAL TO COMMON MODE REJECTION	-50 DB MIN	-43+22*LOG ₁₀ (f/30) DB MIN	30-100 MHZ
	DC RESISTANCE, 1/2 WINDING	.65 OHMS MAX	
DC RESISTANCE IMBALANCE	±.065 OHMS MAX (CENTER TAP SYMMETRY)		
INPUT - OUTPUT ISOLATION	1500 VRMS MIN @ 60 SECONDS		

NOTE: f IS FREQUENCY IN MHZ.





DIMENSIONS ARE IN INCHES [MILLIMETERS] WITH THE FOLLOWING TOLERANCES: [MILLIMETERS] ARE FOR REFERENCE ONLY.

.XX = ±.01 [±0.25]

.XXX = ±.005 [±0.13]

© Copyright, 2014, Pulse Electronics Corp. All rights reserved. Pulse confidential & proprietary. (06/12/14)

PRODUCT DESCRIPTION	TLA DRAWING	PS DRAWING	SHEET	PART NO.	DATASHEET REV.
MDL,SIN,100P,1:1,SM,TU	HX1393FNL-10	PS-2005.002-D	3 OF 3	HX1393FNL	A

X-ON Electronics

Largest Supplier of Electrical and Electronic Components

Click to view similar products for [Audio Transformers / Signal Transformers](#) category:

Click to view products by [Pulse manufacturer](#):

Other Similar products are found below :

[749023020](#) [CU4S0506AT-2655-H1](#) [MET-58](#) [PE-64961](#) [H5008FNL](#) [H5020FNLT](#) [H5079NLT](#) [1879479-1](#) [1879564-1](#) [PA1277NLT](#)
[PA1528ANL](#) [PA2007NLT](#) [FL1066](#) [T1137NLT](#) [T3012NL](#) [PE-65812FNL](#) [TTC-100](#) [TTC-143-H](#) [TTC-5032-1](#) [HX1234NLT](#) [HX5008FNLT](#)
[100B-1001XNL](#) [PA1282NLT](#) [HX5084FNL](#) [T1108NLT](#) [2-1879391-5](#) [TTC-266-2](#) [3-1879385-4](#) [PA1032NL](#) [H2009FNLT](#) [PA0801NLT](#)
[TTC-266](#) [X-1619](#) [SM51295PEL](#) [T5008NLT](#) [PE-68517T](#) [HX1294NLT](#) [HX5084FNLT](#) [H5015FNLT](#) [H6080NLT](#) [CX2024NL](#) [HX1294FNLT](#)
[TX1473NLT](#) [PE-69011NLT](#) [CX2047LNLT](#) [CX2043LNLT](#) [DCT20EFD-U32S003](#) [H5120NLT](#) [H7137FNLT](#) [H1259NLT](#)