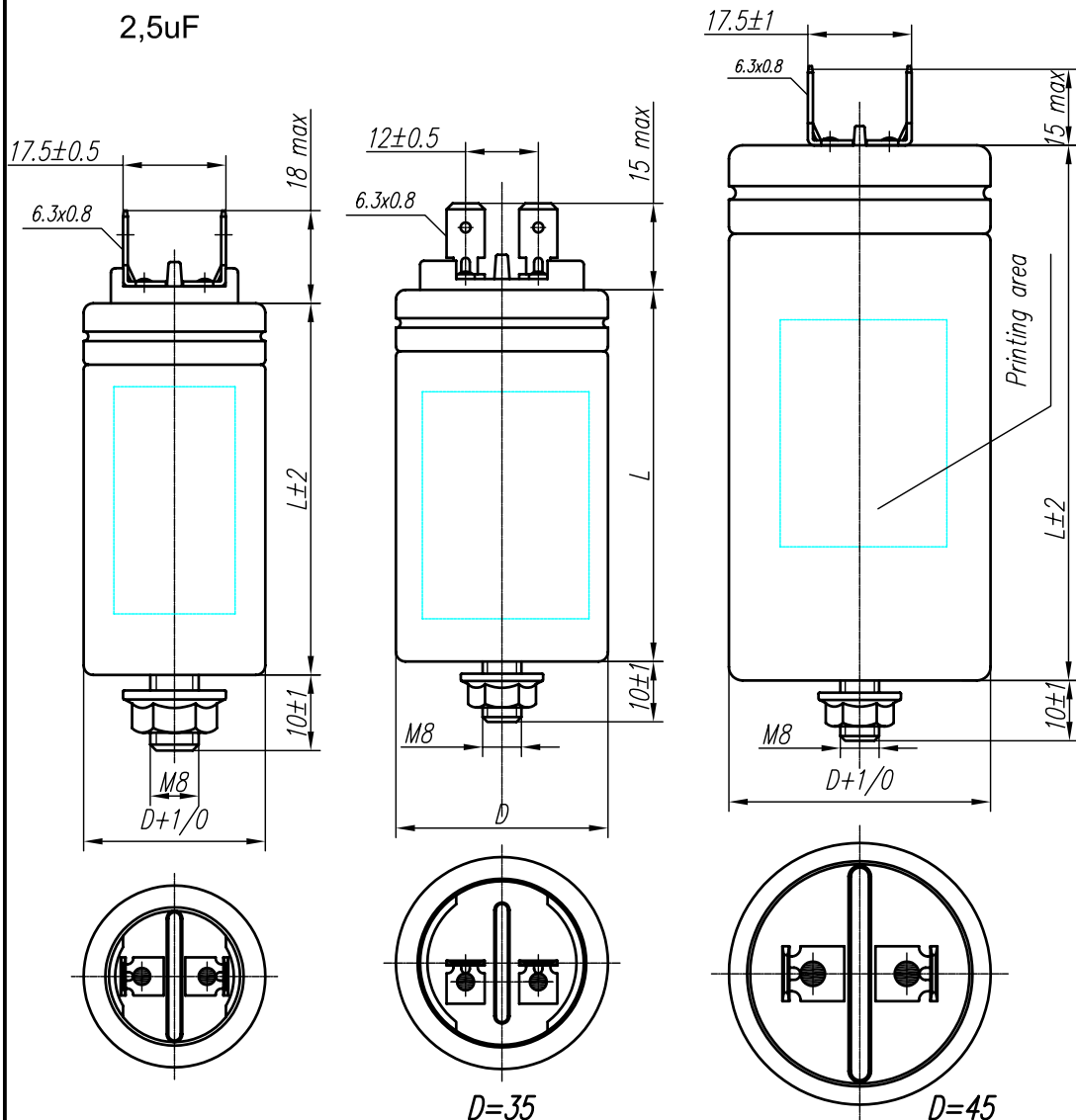


AC METALLIZED POLYPROPYLENE FILM CAPACITORS FOR MOTOR APPLICATIONS



Printing

MIFLEX
MKSP-I18
30µF±5%
400V~ kl.B
450V~ kl.C
50-60Hz
40/85/21 **30**
P2
EN 60252-1
VDE 560-8
H3

Capacitor dimensions

Capacitance	Capacitor dimensions	
	D ₀ ⁺¹	L±2
µF	mm	mm
2,5	25	62
15	35	75
25	45	88
30		
40		100

TECHNICAL DATA:

Capacitance :

- Capacitance tolerance:

- Rated voltage U_R:

- Climatic category:

- Tangent of the loss angle:

- Dielectric strength:

between terminals

between terminals connected together and case

- Case:

- Specifications:

- Application class:

- Safety class:

- Protection degree:

- The capacitors meet the requirements of:

- This product fulfils the requirements of the RoHS Directive (2011/65/UE).

- acc. table

- ± 5% ,

- 400V / 450V -50Hz,

- 40/85/21 acc. to EN 60068-1,

- ≤0,0015 / U_R - 50Hz,

- 2 U_R - 2s,

- 2,5kV / 50Hz - 2s,

- aluminium,

- WT-04/MIFLEX/MKSP-I18,

- 400VAC -kl.B (10000h),450VAC -kl.C (3000h),

- P2,

- IP00,

- EN 60252-1, VDE 0560 part 8,

Upon customer's request these capacitors may be delivered without the hexagonal teathed flange nut.

 **MIFLEX S.A.**

ZAKŁADY PODZESPOŁÓW RADIOWYCH
GRUNWALDZKA 3, 99-300 KUTNO, POLAND

Telephone: +48 24 355 11 00

Fax: +48 24 355 11 88

e-mail: miflexsa@miflex.com.pl

Revision date

09.09.2016

Page

10/10

X-ON Electronics

Largest Supplier of Electrical and Electronic Components

Click to view similar products for [Motor Start Capacitors & Motor Run Capacitors](#) category:

Click to view products by [Miflex](#) manufacturer:

Other Similar products are found below :

[SFS37S30-5K400E-F](#) [SFT44S45-5K491E-F](#) [I170V525J-B00](#) [870CG35800AA2J](#) [878AF24600AA1J](#) [MKSP-6P 4UF 450V B](#) [MKSP-6P 5UF 450V B](#) [MKSP-6P 8UF 450V B](#) [I150V468K-G1](#) [I150V510K-G1](#) [I150V530K-C1](#) [I150V540K-H1](#) [I150V560K-C1](#) [I150V560K-G1](#) [I150V620K-G1](#) [I150V640K-G1](#) [I150V645K-B1](#) [I150V660K-C1](#) [I15KV530K-B](#) [I15KV530K-D](#) [I15KV580K-D](#) [I15KV610K-B](#) [I15KV612K-D](#) [I15KV640K-B](#) [I15KV640K-D](#) [I18UV525I-A1 -5%](#) [C274AC34200AA0J](#) [C274ACF5150WA0J](#) [CBB60A-12/450](#) [CBB60A-1.5/450](#) [CBB60A-16/450](#) [CBB60A-20/450](#) [CBB60A-6/450](#) [CBB60E-40/450](#) [CBB60E-50/450](#) [CBB60E-6/450](#) [CBB60E-80/450](#) [CBB60F-8/450](#) [CBB60G-16/450](#) [CBB60G-6/450](#) [CBB60H-10/450](#) [CBB60H-14/450](#) [CBB60H-30/450](#) [C274ACF4300LF0J](#) [I150V515K-G1](#) [CBB60E-16/450](#) [CBB60A-80/450](#) [C274AC35150AA0J](#) [C276CCF5160LG0J](#) [CBB60E-30/450](#)