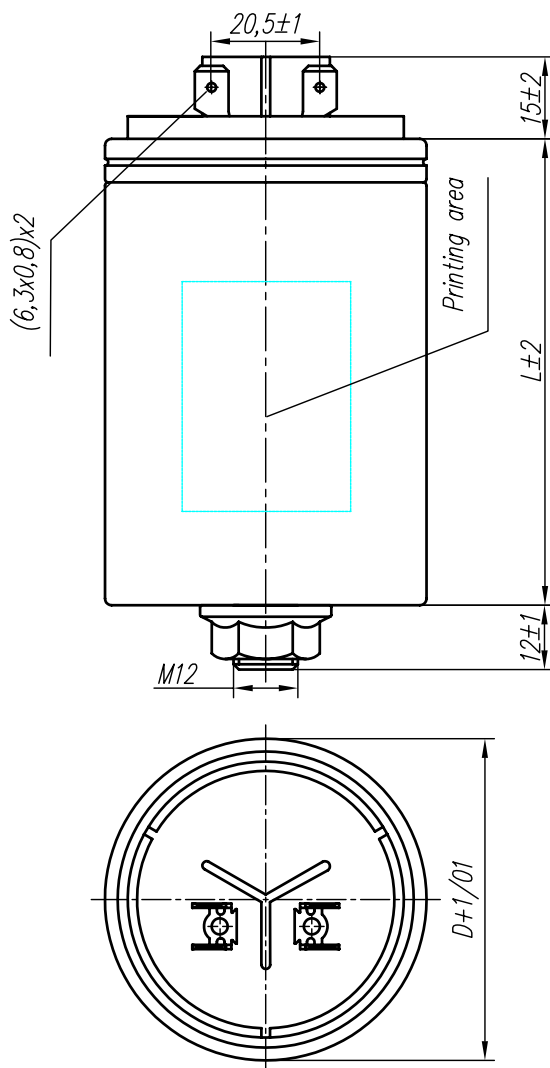


AC METALLIZED POLYPROPYLENE FILM CAPACITORS FOR MOTOR APPLICATIONS



Printing

MIFLEX	
MKSP - I18	
40µF±5%	
400V~ kl.B	
450V~ kl.C	
50-60Hz	
40/85/21 40	
S2	
EN 60252-1	
VDE 0560-8	
J3	

Capacitor dimensions

Capacitance	Capacitor dimensions	
	D ₀ ⁺¹	L±2
µF	mm	mm
40	60	74
55		125
60		
65		

TECHNICAL DATA:

- Capacitance : - acc. table
- Capacitance tolerance: - ± 5% ,
- Rated voltage U_R: - 400V / 450V -50Hz,
- Climatic category: - 40/085/21 acc. to EN 60068-1,
- Tangent of the loss angle: - ≤0,0015 / U_R - 50Hz,
- Dielectric strength:
 - between terminals - 2 U_R - 2s,
 - between terminals connected together and case - 2,5kV / 50Hz - 2s,
- Case: - aluminium,
- Specifications: - WT-04/MIFLEX/MKSP-I18,
- Application class: - 400VAC -cl.B (10000h),450VAC -cl.C (3000h),
- Safety class: - S2,
- Protection degree: - IP00,
- The capacitors meet the requirements of: - EN 60252-1, VDE 0560 part 8,
- This product fulfils the requirements of the RoHS Directive (2011/65/UE).

Upon customer's request these capacitors may be delivered without the hexagonal teathed flange nut.

 **MIFLEX S.A.**

ZAKŁADY PODZESPOŁÓW RADIOWYCH
GRUNWALDZKA 3, 99-300 KUTNO, POLAND
Telephone: +48 24 355 11 00
Fax: +48 24 355 11 88
e-mail: miflexsa@miflex.com.pl

Revision date
19.09.2017

Page
10a/10

X-ON Electronics

Largest Supplier of Electrical and Electronic Components

Click to view similar products for [Motor Start Capacitors & Motor Run Capacitors](#) category:

Click to view products by [Miflex](#) manufacturer:

Other Similar products are found below :

[SFS37S30-5K400E-F](#) [SFT44S45-5K491E-F](#) [I170V525J-B00](#) [870CG35800AA2J](#) [878AF24600AA1J](#) [MKSP-6P 4UF 450V B](#) [MKSP-6P 5UF 450V B](#) [MKSP-6P 8UF 450V B](#) [I150V468K-G1](#) [I150V510K-G1](#) [I150V530K-C1](#) [I150V540K-H1](#) [I150V560K-C1](#) [I150V560K-G1](#) [I150V620K-G1](#) [I150V640K-G1](#) [I150V645K-B1](#) [I150V660K-C1](#) [I15KV530K-B](#) [I15KV530K-D](#) [I15KV580K-D](#) [I15KV610K-B](#) [I15KV612K-D](#) [I15KV640K-B](#) [I15KV640K-D](#) [I18UV525I-A1 -5%](#) [C274ACF5150WA0J](#) [CBB60A-12/450](#) [CBB60A-1.5/450](#) [CBB60A-20/450](#) [CBB60A-6/450](#) [CBB60E-50/450](#) [CBB60E-6/450](#) [CBB60E-80/450](#) [CBB60G-16/450](#) [CBB60G-6/450](#) [CBB60H-10/450](#) [CBB60H-14/450](#) [CBB60H-30/450](#) [C274ACF4300LF0J](#) [CBB60E-16/450](#) [CBB60A-80/450](#) [C274AC35150AA0J](#) [C276CCF5160LG0J](#) [CBB60E-30/450](#) [CBB60E-2/450](#) [CBB60E-25/450](#) [CBB60H-25/450](#) [C274ACA4250AL0J](#) [C276CC24300AA0J](#)