



2.5 mm x 3.2 mm Ceramic Package SMD TCXO



I547/I747 Series

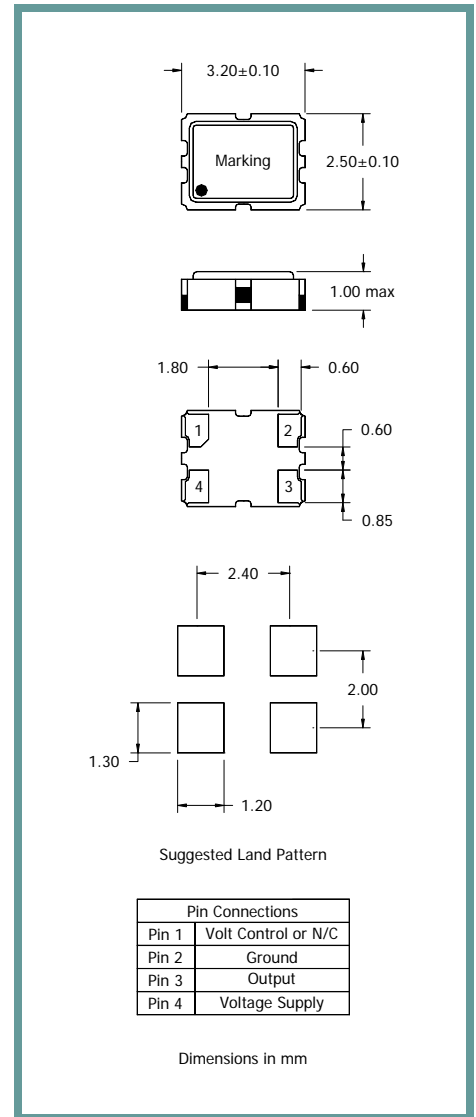
Product Features:

- Low Jitter, Non-PLL Based Output
- Clipped Sinewave
- Analog Compensation
- Available ± 0.5 ppm Stability

Applications:

- GPS
- Sonet /SDH
- 802.11 / Wifi
- T1/E1, T3/E3

Frequency	10Mhz to 52 Mhz
Frequency Tolerance @ 25° C	± 2.0 ppm after second reflow
Frequency Stability Vs Temperature Vs Supply Voltage (± 5%) Vs Load (10%)	See Frequency Stability Table ± 0.2 ppm Max. ± 0.2 ppm Max.
Output Level Clipped Sinewave	0.8 V p-p Min.
Output Load Clipped Sinewave	10K Ohms / 10 pF
Frequency Slope (2C steps from -20° C to +70° C)	± 0.1 ppm /° C
Start Time (90% of Vp-p)	3.0 mS Max.
Aging	± 1 ppm / Year Max.
Supply Voltage	See Supply Voltage Table , tolerance ± 5%
Current	1.5 mA Max
Voltage Control (I747)	1.5 VDC ± 1.0 VDC, ± 5.0 ppm Min.
Operating	See Operating Temperature Table
Storage	-40° C to +85° C
Phase Noise (typical)	-87 dBc/Hz @ 10 Hz -112 dBc/Hz @ 100 Hz -135 dBc/Hz @ 1KHz -145 dBc/Hz @ 10 Khz



Package	Part Number Guide		Sample Part Number: I547-1Q3-20.000 Mhz	
	Operating Temperature	Frequency Stability vs Temperature	Supply Voltage	Frequency
I547 (Clipped Sinewave TCXO) I747 (Clipped Sinewave TCVCXO)	7 = 0° C to +50° C	**Y = ±0.5 ppm	3 = 3.3 V	- 20.000 MHz
	1 = 0° C to +70° C	**N = ±1.0 ppm	7 = 3.0 V	
	3 = -20° C to +70° C	**O = ±1.5 ppm	2 = 2.7 V	
	5 = -30° C to +85° C	**P = ±2.0 ppm	1 = 1.8 V	
	2 = -40° C to +85° C	Q = ±2.5 ppm		
		R = ±3.0 ppm		
	J = ±5.0 ppm			

NOTE: A 0.01 µF bypass capacitor is recommended between Vcc (pin 4) and GND (pin 2) to minimize power supply noise.

** Not available for all temperature ranges.



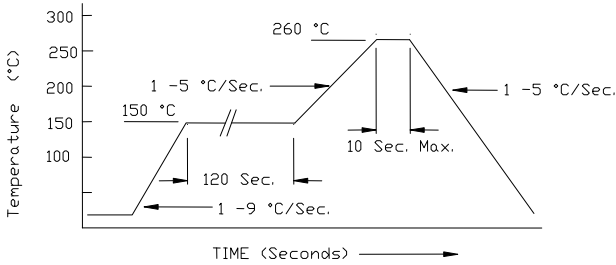
2.5 mm x 3.2 mm Ceramic Package SMD TCXO



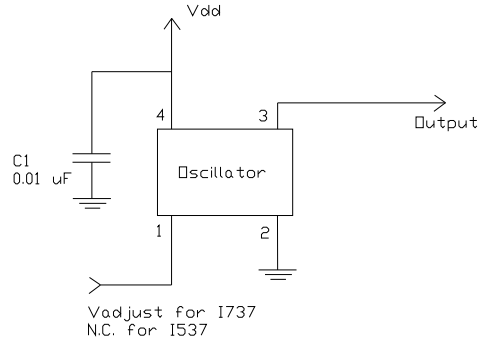
I547/I747 Series

Pb Free Solder Reflow Profile:

Typical Application:



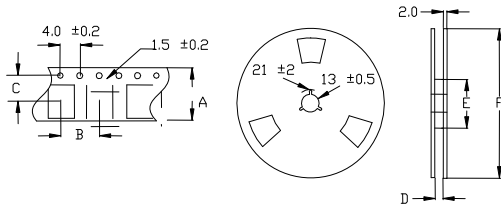
*Units are backward compatible with 240C reflow processes



Package Information:

MSL = N.A. (package does not contain plastic, storage life is unlimited under normal room conditions).
Termination = e4 (Au over Ni over W base metallization).

Tape and Reel Information:



Quantity per Reel	1000
A	8 +/- .3
B	4 +/- .2
C	3.5 +/- .2
D	9 +/- .1 or 12 +/- .3
E	60 / 80
F	180

Environmental Specifications

Thermal Shock	MIL-STD-883, Method 1011, Condition A
Moisture Resistance	MIL-STD-883, Method 1004
Mechanical Shock	MIL-STD-883, Method 2002, Condition B
Mechanical Vibration	MIL-STD-883, Method 2007, Condition A
Resistance to Soldering Heat	J-STD-020C, Table 5-2 Pb-free devices (except 2 cycles max)
Hazardous Substance	Pb-Free / RoHS / Green Compliant
Solderability	JESD22-B102-D Method 2 (Preconditioning E)
Terminal Strength	MIL-STD-883, Method 2004, Test Condition D
Gross Leak	MIL-STD-883, Method 1014, Condition C
Fine Leak	MIL-STD-883, Method 1014, Condition A2, R1=2x10 ⁻⁸ atm cc/s
Solvent Resistance	MIL-STD-202, Method 215

Marking

Line 1: I-Date Code (yww)
Line 2: Frequency

PROPRIETARY AND CONFIDENTIAL

THIS DOCUMENT CONTAINS PROPRIETARY INFORMATION, AND SUCH INFORMATION MAY NOT BE DISCLOSED TO OTHERS FOR ANY PURPOSE NOR USED FOR MANUFACTURING PURPOSES WITHOUT WRITTEN PERMISSION FROM ILSI America.

**QUALITY SYSTEM
CERTIFIED
= ISO 9001 =**

ILSI America Phone 775-851-8880 • Fax 775-851-8882 • email: e-mail@ilsiamerica.com •
www.ilsiamerica.com

Specifications subject to change without notice

Rev: 06/18/15_J

Page 2 of 2

X-ON Electronics

Largest Supplier of Electrical and Electronic Components

Click to view similar products for [Standard Clock Oscillators](#) category:

Click to view products by [ILSI](#) manufacturer:

Other Similar products are found below :

[EP1400SJTSC-125.000M](#) [601137](#) [601252](#) [CSX750FBC-24.000M-UT](#) [CSX750FBC-33.333M-UT](#) [CSX750FCC-3.6864M-UT](#) [F335-12](#) [F335-25](#) [F535L-50](#) [DSC506-03FM2](#) [ASA-20.000MHZ-L-T](#) [ASA-25.000MHZ-L-T](#) [ASA-27.000MHZ-L-T](#) [ASV-20.000MHZ-LR-T](#) [ECS-2018-160-BN-TR](#) [EL13C7-H2F-125.00M](#) [MXO45HS-2C-66.6666MHZ](#) [NBXDBB017LN1TAG](#) [NBXHBA019LN1TAG](#) [SiT1602BI-22-33E-50.000000E](#) [SIT8003AC-11-33S-2.04800X](#) [SiT8256AC-23-33E-156.250000X](#) [SIT8918AA-11-33S-50.000000G](#) [SM4420TEV-40.0M-T1K](#) [SMA4306-TL-H](#) [F335-24](#) [F335-40](#) [F335-50](#) [F535L-10](#) [F535L-12](#) [F535L-16](#) [F535L-24](#) [F535L-27](#) [F535L-48](#) [PE7744DW-100.0M](#) [CSX750FBC-20.000M-UT](#) [CSX-750FBC33333000T](#) [CSX750FBC-4.000M-UT](#) [CSX750FBC-7.3728M-UT](#) [CSX750FBC-8.000M-UT](#) [CSX-750FCC14745600T](#) [CSX750FCC-16.000M-UT](#) [CSX-750FCC40000000T](#) [CSX750FCC-4.000M-UT](#) [ASA-22.000MHZ-L-T](#) [ASA2-26.000MHZ-L-T](#) [ASA-40.000MHZ-L-T](#) [ASA-48.000MHZ-L-T](#) [ASA-60.000MHZ-L-T](#) [ASF1-3.686MHZ-N-K-S](#)