

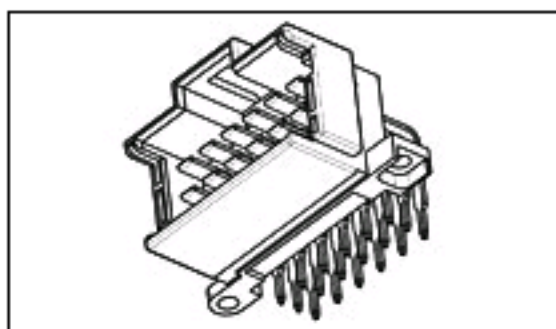


Search bar: What can we help you find?

Home > Products > Product Feature Selector > Product Details

### 9-966140-3 Product Details

Share | Print | Email



9-966140-3

TE Internal Number: 9-966140-3  
Active

View 3D PDF

#### Timer Connectors

Always EU RoHS/ELV Compliant (Statement of Compliance)

#### Product Highlights:

- Connector
- Header
- Connector Style = Plug
- Preloaded
- Contact Type = Tab

[View all Features](#)

#### Quick Links

- ▶ Pricing & Availability
- ▶ Search for Tooling
- ▶ Product Feature Selector
- ▶ Contact Us About This Product

[Add to My Part List](#) | [Request Sample](#) | [Find Similar Products](#) | [Buy Product](#)

#### Documentation & Additional Information

##### Product Drawings:

- TAB HEADER, 2.8x0.8, 6-21POS Messerleiste, 2.8x0.8, ... (PDF, English)

##### Catalog Pages/Data Sheets:

- None Available

##### Product Specifications:

- None Available

##### Application Specifications:

- None Available

##### Instruction Sheets:

- None Available

##### CAD Files: (CAD Format & Compression Information)

- 2D Drawing (DXF, Version F)
- 3D Model (IGES, Version F)
- 3D Model (STEP, Version F)

[List all Documents](#)

##### Additional Information:

- Product Line Information

##### Related Products:

- Tooling

#### Product Features (Please use the Product Drawing for all design activity)

##### Product Type Features:

- Product Type = Connector
- Connector Type = Header
- Type of Connector = JPT

##### Mechanical Attachment:

- Mount = PCB Right Angle

##### Electrical Characteristics:

- Tab Material = Phosphor Bronze

##### Body Features:

- Connector Code = A

##### Contact Features:

- Contact Type = Tab
- Tab Plating = Tin

##### Housing Features:

- Connector Style = Plug
- Housing Material = PA 6.6
- Housing Color = Black
- Centerline, Matrix (mm [in]) = 5.00 x 5.50 x 5.50 [.197 x .216 x .216]

##### Configuration Features:

- Preloaded = Yes
- Number of Positions = 12

##### Industry Standards:

- RoHS/ELV Compliance = RoHS compliant, ELV compliant
- Lead Free Solder Processes = Wave solder capable to 240°C, Wave solder capable to 260°C
- RoHS/ELV Compliance History = Always was RoHS compliant

##### Packaging Features:

- Packaging Method = Tray

##### Other:

- Brand = AMP
- Comment = Mating item, MCP 2.8mm Hsg., see family print 1355073.; Mating item, Junior Power Timer Hsg., see family print 1355071.

#### Corporate Information

- [About TE](#)
- [Investors](#)
- [News Room](#)
- [Supplier Portal](#)
- [Careers](#)
- [Terms & Conditions](#)
- [Privacy Policy](#)

#### Quick Links

- [Distributor Inventory](#)
- [Product Cross Reference](#)
- [Documents & Drawings](#)
- [Product Compliance Support Center](#)
- [Site Map](#)

#### Customer Support

- [Email or Chat With Us](#)
- [Find a Phone Number](#)
- [Knowledge Base](#)
- [Manage Your Account](#)

#### Keep Me Informed

Receive TE News, Events & Technology Updates

Enter your email address



## X-ON Electronics

Largest Supplier of Electrical and Electronic Components

*Click to view similar products for te connectivity manufacturer:*

Other Similar products are found below :

[570416-000](#) [CLTEQ-M81CE-SSRELAY-4-20V](#) [4-1633138-8](#) [D38999/24FJ4AN](#) [4-1195131-0](#) [650069-000](#) [SMD100-2](#) [2EDL4CM](#)  
[DTS20W19-11PD-3028](#) [DTS20W19-11PD-3028-LC](#) [DTS20W19-32SD-3028-LC](#) [DTS20W19-32SD-3028](#) [NC6-P104-06](#) [TXR64AB90-](#)  
[3616AI](#) [DTS26F21-41HE](#) [DTS26F21-41AE](#) [DTS26F21-41PE-LC](#) [DTS26F21-11SE-3028-LC](#) [D38999/24WF32JE](#) [D38999/24WF32SE-LC](#)  
[DTS24W19-32HE](#) [D38999/20JB35HA](#) [D38999/24WJ20PA](#) [164-8033-08](#) [D38999/24FF32JE](#) [D38999/24FF32SE-LC](#) [D38999/24WF32JB](#)  
[D38999/24WG11HA](#) [D38999/24WG11HN](#) [MS27467T21F11H](#) [DJT16E21-11HA](#) [DTS24F19-32HE](#) [DTS20W19-32SA-3028-LC](#) [DTS24F19-](#)  
[11SC-3028-LC](#) [DTS24F19-11SC-3028](#) [DJT14E13-98HB](#) [D38999/20WC8BB](#) [1-330599-5](#) [DTS24F21-41HN-LC](#) [DTS24F21-41HN](#)  
[DTS24F21-41AN](#) [DTS24F21-39HN](#) [DTS24F21-41PN-LC](#) [AFD50-10-6SN-1A-LC](#) [DJT10F17-26HC](#) [DTS24W19-32HB](#) [ACT20JE99HA](#)  
[DJT10E17-26HC](#) [DJT10E17-26HN](#) [DJT10F17-26HA](#)