

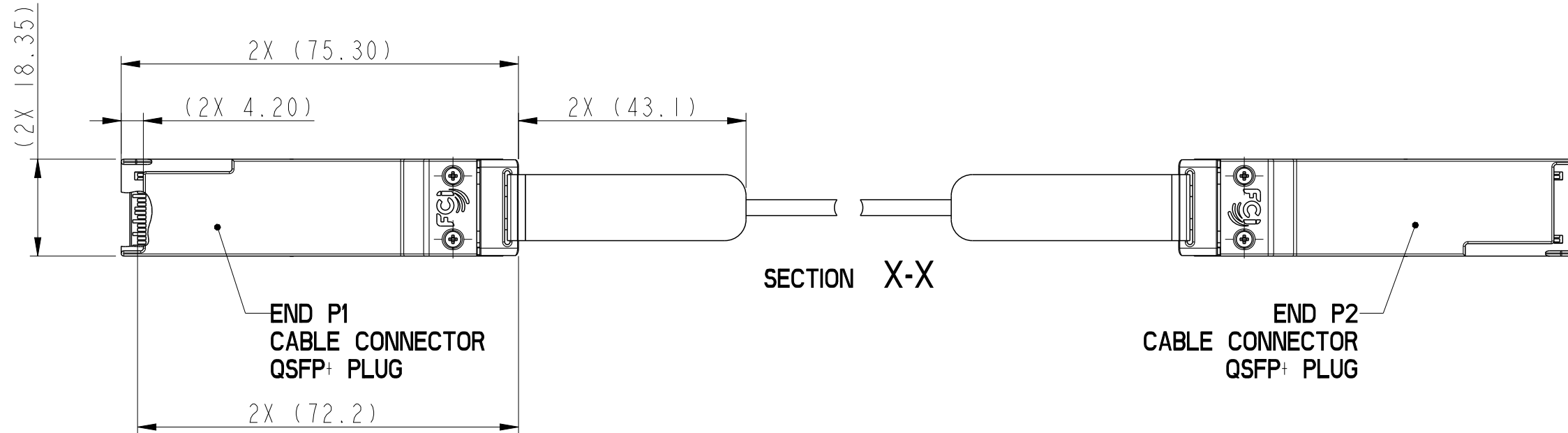
PRODUCT NUMBER

ICD056GVP163D-XX

PRODUCT NUMBER DESCRIPTION:

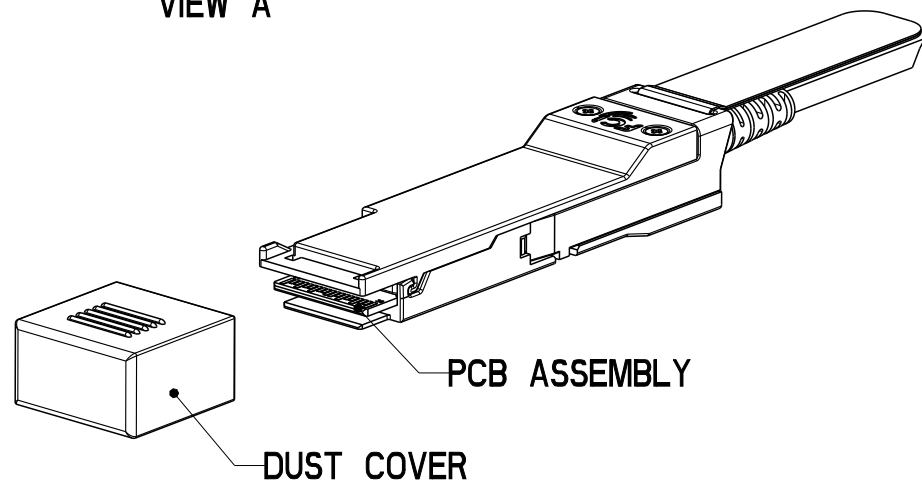
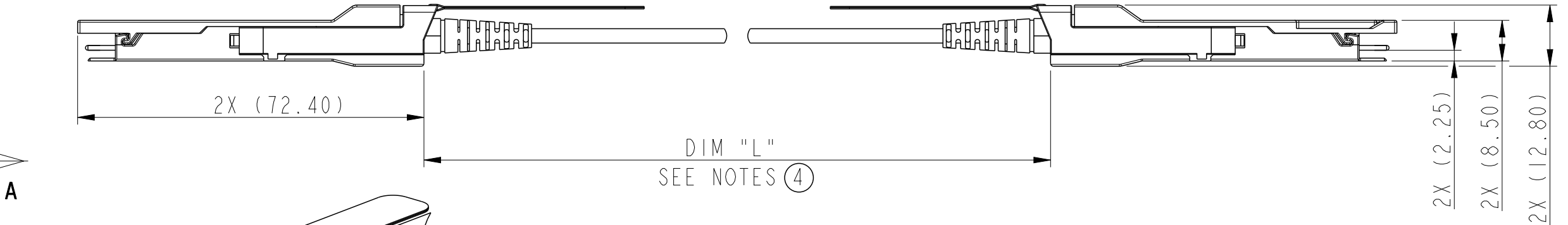
ICD056GVP163 D - XX

LENGTH
 XX= METERS
 EXAMPLE : 05 = 05 METERS (DIM "L")
 C0 = 100 METERS (DIM "L")
 WITH DIGITAL DIAGNOSTIC MONITORING



VIEW A

VIEW A



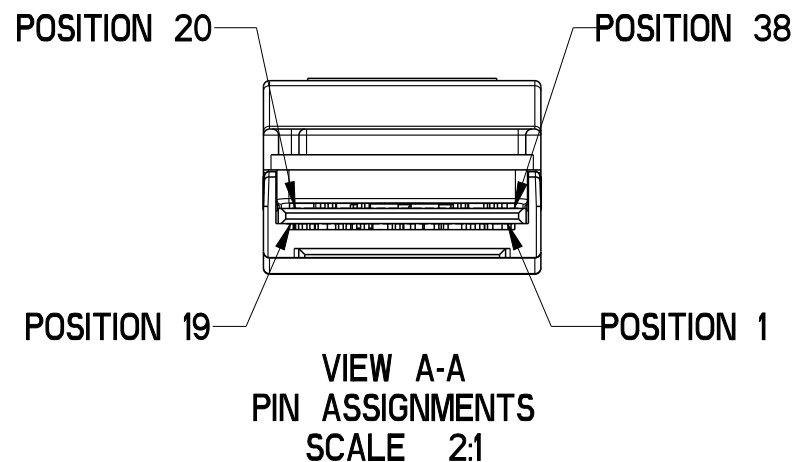
spec ref	-	dr	M Srinivasan	2012/05/02	projection	MM	size	A3	scale	1:1																				
tolerance std	ASME Y14.5	eng	Andreas Krink	2012/08/23			ecn no	ELX-B-012550-1																						
TOLERANCES UNLESS OTHERWISE SPECIFIED		chr	-	-			product family	QSFP+ AOC	rel level	Released																				
surface	<table border="1"> <tr> <td>linear</td> <td>0.X</td> <td>±0.3</td> </tr> <tr> <td></td> <td>0.XX</td> <td>±0.10</td> </tr> <tr> <td></td> <td>0.XXX</td> <td>±0.05</td> </tr> <tr> <td>angular</td> <td>0°</td> <td>±2°</td> </tr> </table>	linear	0.X	±0.3		0.XX	±0.10		0.XXX	±0.05	angular	0°	±2°	appr	Sven Otte	2012/08/30		<table border="1"> <tr> <td>title</td> <td>STRAIGHT BOOT PRODUCT ASSEMBLY</td> <td>dwg no</td> <td>ICD056GVP163D</td> <td>rev</td> <td>B</td> </tr> <tr> <td></td> <td>QSFP+ AOC FDR</td> <td></td> <td></td> <td></td> <td></td> </tr> </table>	title	STRAIGHT BOOT PRODUCT ASSEMBLY	dwg no	ICD056GVP163D	rev	B		QSFP+ AOC FDR				
linear	0.X	±0.3																												
	0.XX	±0.10																												
	0.XXX	±0.05																												
angular	0°	±2°																												
title	STRAIGHT BOOT PRODUCT ASSEMBLY	dwg no	ICD056GVP163D	rev	B																									
	QSFP+ AOC FDR																													
ASME Y14.5		www.fci.com	cat. no.	-	Product - Customer Drw	sheet 1 of 2																								

PRODUCT NUMBER

ICD056GVP163D-XX

EDGE CONNECTOR PAD DESCRIPTION

POSITION	SYMBOL	POSITION	SYMBOL
19	GND	20	GND
18	RX1n	21	RX2n
17	RX1p	22	RX2p
16	GND	23	GND
15	RX3n	24	RX4n
14	RX3p	25	RX4p
13	GND	26	GND
12	SDA	27	ModPrsL
11	SCL	28	IntL
10	VccRx	29	VccTx
9	ResetL	30	VccI
8	ModSeIL	31	LPMode
7	GND	32	GND
6	TX4p	33	TX3p
5	TX4n	34	TX3n
4	GND	35	GND
3	TX2p	36	TX1p
2	TX2n	37	TX1n
1	GND	38	GND



NOTES:

- MATERIAL:
COVERS : ZINC ALLOY/ COPPER UNDERPLATE/ NICKEL OVERPLATE
PULL TAB : THERMOPLASTIC POLYMER
LATCH RELEASE: ZINC ALLOY/ COPPER UNDERPLATE/ NICKEL OVERPLATE
DRIVE SCREWS: STAINLESS STEEL
STRAIN RELIEF BOOT : THERMOPLASTIC
SPRING : STAINLESS STEEL
PADDLE CARD: PRINTED CIRCUIT SUBSTRATE-FR4.
DUST COVER : POLY ETHYLENE
TOP & BOTTOM BLISTER (NOT SHOWN) : PET
PACKAGING: FOR CABLE-LENGTH >30M ONE BOX-SET IS USED INSTEAD OF TOP/BOTTOM BLISTER
BOX-SET MATERIAL: PAPERBOARD AND ANTISTATIC PLASTIC
- REFERENCE PRODUCT SPECIFICATION GS-12-1059 FOR DETAILED SPECIFICATIONS.
- THIS PRODUCT MEETS THE RESTRICTION OF HAZARDOUS SUBSTANCES IN ELECTRICAL AND ELECTRONIC EQUIPMENT (RoHS). DIRECTIVE 2002/95/EC.
- THIS DIMENSION IS A FINISHED PRODUCT LENGTH.

spec ref	-	dr	M Srinivasan	2012/05/02	projection	MM	size	A3	scale	2:1	
tolerance std	ASME Y14.5	eng	Andreas Krink	2012/08/23			ecn no	ELX-B-012550-1			
	TOLERANCES UNLESS OTHERWISE SPECIFIED	chr	-	-			product family	QSFP+ AOC	rel level	Released	
surface	linear	appr	Sven Otte	2012/08/30			dwg no	ICD056GVP163D		rev	B
	ASME Y14.5	angular	0°	±2°	www.fci.com	cat. no.	-	Product - Customer Drw	sheet 2 of 2		



Copyright FCI.

X-ON Electronics

Largest Supplier of Electrical and Electronic Components

Click to view similar products for [Fiber Optic Cable Assemblies](#) category:

Click to view products by [Amphenol](#) manufacturer:

Other Similar products are found below :

[7-21002-9](#) [760-1518](#) [FA04390-50-M-72-LC-N](#) [MLB 501 V RED](#) [MLB 501 V YELLOW](#) [8-21000-7](#) [8-21084-1](#) [FXE3-10BM15](#) [FXE3-10FM5](#) [FZB3-NM1](#) [1-3636-600-5208](#) [1-5018030-0](#) [ICD040GVP163D-07](#) [2901797](#) [1-6693182-0](#) [1754898-1](#) [F512D5-5F23Y](#) [F912B10-NM2](#) [FAP12WFDBDBDLCZ](#) [21055-6](#) [FXBSCSCE2LM002](#) [FXE3-10AM10](#) [FXE3-10AM20](#) [FXE3-10BM7](#) [FXE3-10FM15](#) [FXE3-10FM3](#) [FXE3-10FM4](#) [FXE3-10FM7](#) [FXE3-10GM3](#) [FZE10-10M6](#) [FZOPE10-10M5](#) [3000005](#) [3-21053-2](#) [MLB 200/1 V BLACK](#) [MLB 2001 V YELLOW](#) [MLB 501 V BLACK](#) [5492011-6](#) [106284-7000](#) [5492011-5](#) [5492011-8](#) [5492011-9](#) [CF-901201-007](#) [7-21000-4](#) [8-21007-5](#) [8-21084-0](#) [3-5106081-0](#) [106386-4447](#) [2-2064140-6](#) [F92ELLNSNSNM003](#) [2-2064140-3](#)