

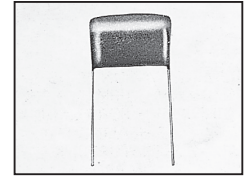
# Metalized Polyester Film Capacitors

NRM Series

EPOXY COATED, NON-INDUCTIVE, CAPACITORS,  
RADIAL LEAD

## FEATURES

- NON-INDUCTIVE CONSTRUCTION
- EPOXY RESIN COATED FOR EXCELLENT MOISTURE RESISTANCE
- HIGH STABILITY WITH FREQUENCY OVER AN EXTENDED OPERATING LIFE
- HIGH PERFORMANCE AT LOW COST
- LEAD FORMING AND CUT LEADS AVAILABLE
- METALLIZED CONSTRUCTION PROVIDE SELF HEALING CHARACTERISTICS



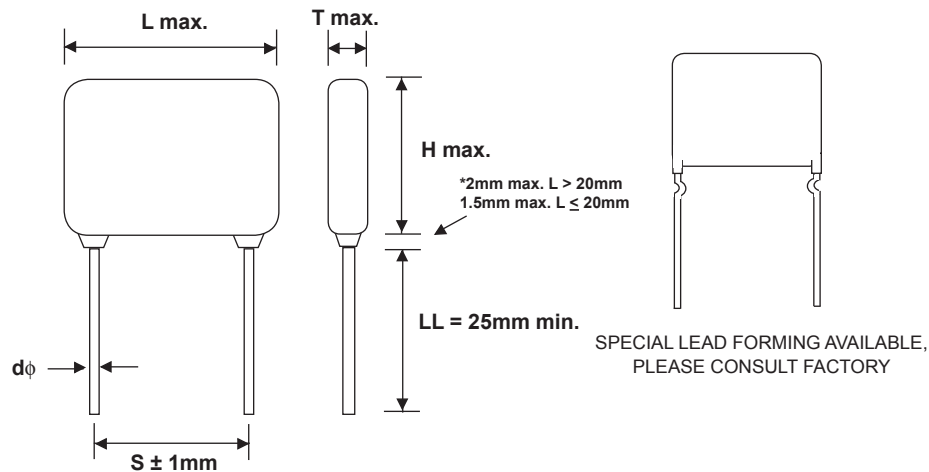
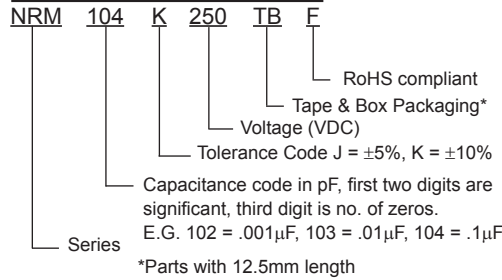
**RoHS  
Compliant**  
includes all homogeneous materials

## SPECIFICATIONS

Operating Temperature	-40°C ~ +105°C
Rated Voltage (VDC)	100V, 250V, 400V, 630V
Capacitance Range	0.01μF ~ 6.8μF
Capacitance Tolerance	±10% (K), ±5% (J)
Insulation Resistance	C < 0.33μF IR ≥ 15,000 Megohm C ≥ .33μF IR ≥ 5,000 Megohm
Dissipation Factor	≤0.01 (at 1KHz)
Dielectric Strength	150% of Rated Voltage for 5 Seconds

\*See Part Number System for Details

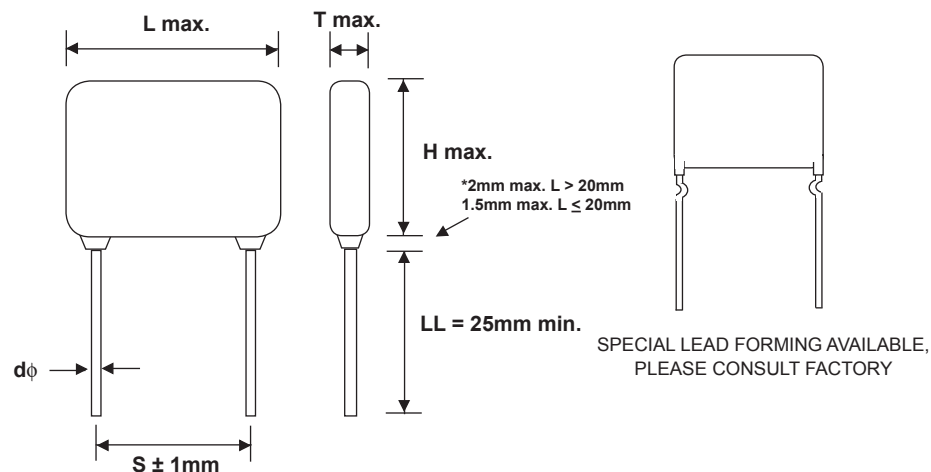
## PART NUMBER SYSTEM



## STANDARD PRODUCTS AND CASE SIZE TABLE (mm)

	Cap. (μF)	Voltage Rating	Available Tolerance	Max. Length (mm)	Max. Width (mm)	Max. Height (mm)	Lead-space (mm)	Lead Diameter (mm)
NRM333K100F	0.033	100VDC 63VAC	±5% (J), ±10% (K)	12.5	5.0	9.5	10.0	0.6
NRM473K100F	0.047		±5% (J), ±10% (K)	12.5	5.0	9.5	10.0	0.6
NRM683K100F	0.068		±5% (J), ±10% (K)	12.5	5.0	9.5	10.0	0.6
NRM104K100F	0.1		±5% (J), ±10% (K)	12.5	5.0	9.5	10.0	0.6
NRM154K100F	0.15		±5% (J), ±10% (K)	12.5	5.0	10.0	10.0	0.6
NRM224K100F	0.22		±5% (J), ±10% (K)	12.5	5.5	10.0	10.0	0.6
NRM334K100F	0.33		±5% (J), ±10% (K)	12.5	6.5	10.5	10.0	0.6
NRM474K100F	0.47		±5% (J), ±10% (K)	18.0	6.5	11.5	15.0	0.6
NRM684K100F	0.68		±5% (J), ±10% (K)	18.0	6.5	12.0	15.0	0.6
NRM105K100F	1.0		±5% (J), ±10% (K)	18.0	7.5	14.0	15.0	0.6
NRM155K100F	1.5		±5% (J), ±10% (K)	26.0	7.5	14.5	22.5	0.6
NRM225K100F	2.2		±5% (J), ±10% (K)	26.0	9.0	16.0	22.5	0.6
NRM335K100F	3.3		±5% (J), ±10% (K)	26.0	11.0	19.0	22.5	0.6
NRM475K100F	4.7		±5% (J), ±10% (K)	31.0	12.0	23.0	27.5	0.6
NRM685K100F	6.8		±5% (J), ±10% (K)	31.0	14.0	25.0	27.5	0.6
NRM103K250F	0.01	250VDC 160VAC	±5% (J), ±10% (K)	12.5	5.0	9.5	10.0	0.8
NRM153K250F	0.015		±5% (J), ±10% (K)	12.5	5.0	9.5	10.0	0.8
NRM223K250F	0.022		±5% (J), ±10% (K)	12.5	5.0	9.5	10.0	0.8
NRM333K250F	0.033		±5% (J), ±10% (K)	12.5	5.0	9.5	10.0	0.8
NRM473K250F	0.047		±5% (J), ±10% (K)	12.5	5.0	9.5	10.0	0.8
NRM683K250F	0.068		±5% (J), ±10% (K)	12.5	5.0	9.5	10.0	0.8
NRM104K250F	0.1		±5% (J), ±10% (K)	12.5	5.5	10.0	10.0	0.8
NRM154K250F	0.15		±5% (J), ±10% (K)	12.5	6.5	10.5	10.0	0.8
NRM224K250F	0.22		±5% (J), ±10% (K)	18.0	6.5	11.5	15.0	0.8
NRM334K250F	0.33		±5% (J), ±10% (K)	18.0	7.0	12.5	15.0	0.8
NRM474K250F	0.47		±5% (J), ±10% (K)	26.0	7.0	12.5	22.5	0.8
NRM684K250F	0.68		±5% (J), ±10% (K)	26.0	8.0	14.5	22.5	0.8
NRM105K250F	1.0		±5% (J), ±10% (K)	26.0	10.5	17.5	22.5	0.8
NRM155K250F	1.5		±5% (J), ±10% (K)	26.0	10.5	18.0	22.5	0.8
NRM225K250F	2.2		±5% (J), ±10% (K)	31.0	12.5	19.0	27.5	0.8
NRM335K250F	3.3	±5% (J), ±10% (K)	31.0	14.0	23.0	27.5	0.8	
NRM475K250F	4.7	±5% (J), ±10% (K)	31.0	16.5	27.0	27.5	0.8	

SEE NEXT PAGE FOR 400V AND 630V PARTS

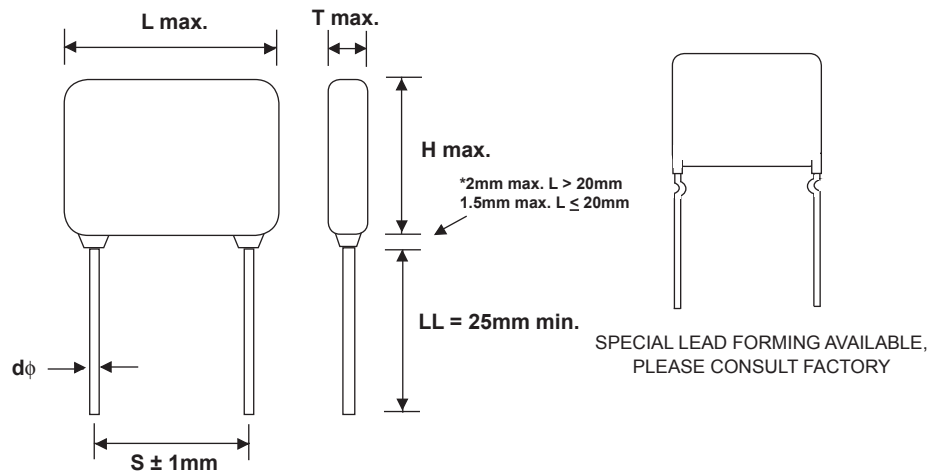


# Metallized Polyester Film Capacitors

## STANDARD PRODUCTS AND CASE SIZE TABLE (mm)

	Cap. (μF)	Voltage Rating	Available Tolerance	Max. Length (mm)	Max. Width (mm)	Max. Height (mm)	Lead-space (mm)	Lead Diameter (mm)
NRM103K400F	0.01	400VDC 200VAC	±5% (J), ±10% (K)	12.5	5.0	9.5	10.0	0.8
NRM153K400F	0.015		±5% (J), ±10% (K)	12.5	5.0	9.5	10.0	0.8
NRM223K400F	0.022		±5% (J), ±10% (K)	12.5	5.0	9.5	10.0	0.8
NRM333K400F	0.033		±5% (J), ±10% (K)	12.5	5.5	10.5	10.0	0.8
NRM473K400F	0.047		±5% (J), ±10% (K)	12.5	6.0	10.5	10.0	0.8
NRM683K400F	0.068		±5% (J), ±10% (K)	18.0	6.0	10.5	15.0	0.8
NRM104K400F	0.1		±5% (J), ±10% (K)	18.0	6.5	11.5	15.0	0.8
NRM154K400F*	0.15		±5% (J), ±10% (K)	26.0	6.0	12.5	22.5	0.8
NRM224K400F*	0.22		±5% (J), ±10% (K)	26.0	7.0	15.0	22.5	0.8
NRM334K400F	0.33		±5% (J), ±10% (K)	26.0	8.5	15.5	22.5	0.8
NRM474K400F	0.47		±5% (J), ±10% (K)	26.0	9.5	18.0	22.5	0.8
NRM684K400F	0.68		±5% (J), ±10% (K)	26.0	12.0	18.5	22.5	0.8
NRM105K400F	1.0		±5% (J), ±10% (K)	31.0	12.0	20.0	27.5	0.8
NRM155K400F	1.5		±5% (J), ±10% (K)	31.0	13.5	23.5	27.5	0.8
NRM225K400F	2.2		±5% (J), ±10% (K)	31.0	16.5	26.0	27.5	0.8
NRM103K630F	0.01	630VDC 220VAC	±5% (J), ±10% (K)	12.5	5.0	9.5	10.0	0.8
NRM153K630F	0.015		±5% (J), ±10% (K)	12.5	5.0	9.5	10.0	0.8
NRM223K630F	0.022		±5% (J), ±10% (K)	12.5	7.0	10.5	10.0	0.8
NRM333K630F	0.033		±5% (J), ±10% (K)	18.0	6.0	11.0	15.0	0.8
NRM473K630F	0.047		±5% (J), ±10% (K)	18.0	6.5	11.5	15.0	0.8
NRM683K630F	0.068		±5% (J), ±10% (K)	18.0	7.0	13.0	15.0	0.8
NRM104K630F	0.1		±5% (J), ±10% (K)	26.0	7.0	13.0	22.5	0.8
NRM154K630F	0.15		±5% (J), ±10% (K)	26.0	8.5	14.0	22.5	0.8
NRM224K630F	0.22		±5% (J), ±10% (K)	26.0	10.0	16.5	22.5	0.8
NRM334K630F	0.33		±5% (J), ±10% (K)	31.0	10.5	17.5	27.5	0.8
NRM474K630F	0.47		±5% (J), ±10% (K)	31.0	12.0	19.5	27.5	0.8
NRM684K630F	0.68		±5% (J), ±10% (K)	31.0	15.0	22.5	27.5	0.8
NRM105K630F	1.0		±5% (J), ±10% (K)	31.0	19.0	27.0	27.5	0.8

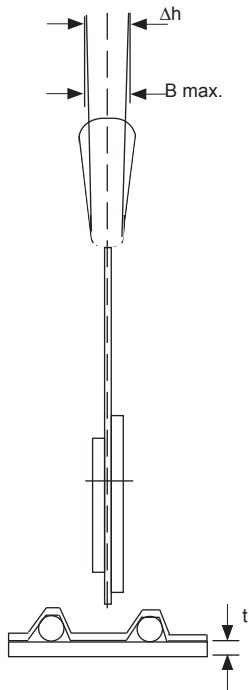
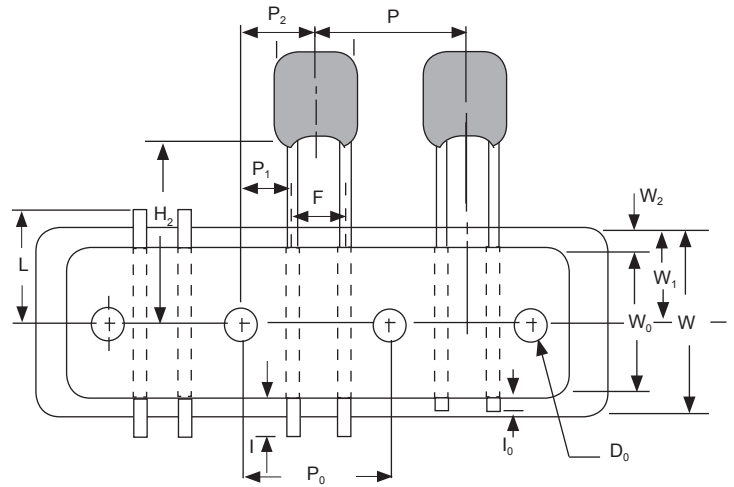
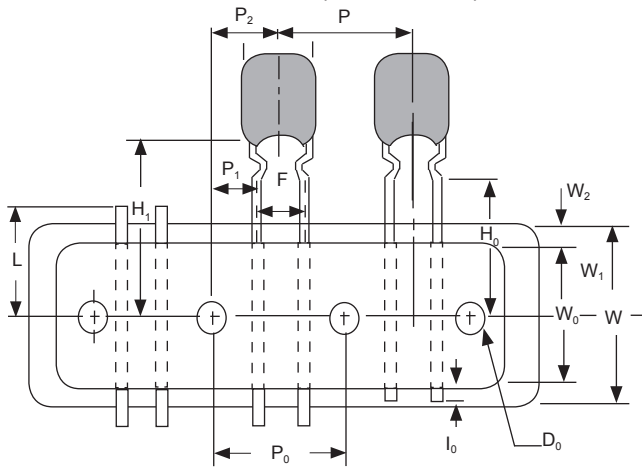
\*Also available in an 18.0x8.5x15.0mm case size with 15mm lead-space



TAPE & BOX FOR RADIAL LEAD CAPACITOR  
REFER TO EIA STANDARD RS-468

### CRIMPED LEAD TAPING (STANDARD)

### STRAIGHT LEAD TAPING (SPECIAL) Contact NIC for Availability.\*



**\*NOTE:** STANDARD LEAD SPACING ON TAPED PARTS IS 5MM. SPECIAL 7.5MM, 10MM AND 15MM LEAD SPACING MAY BE AVAILABLE UPON SPECIAL REQUEST.

TO SPECIFIC:

LEAD SPACING	P/N SUFFIX
5MM	TB
7.5MM	TB (7.5MMLS)
10MM	TB (10MMLS)

Dimensions MM (inch)		
P	12.7 ± 1.0	(0.5 ± 0.0394)
P <sub>0</sub>	12.7 ± 0.2	(0.5 ± 0.008)
P <sub>2</sub>	6.35 ± 1.3	(.025 ± 0.051)
P <sub>1</sub>	3.85 ± 0.5	(0.152 ± 0.020)
F*	5.0 ± 0.8	(0.197 ± 0.0315)
Δh	0 ± 2.0	(0 ± 0.0787)
W	18.0 ± 0.5	(0.709 ± 0.020)
W <sub>1</sub>	9.0 ± 0.5	(0.354 ± 0.020)
H <sub>1</sub>	20.0 ± 0.75	(0.787 ± 0.030)
H <sub>2</sub>	18.0 ± 0.5	(0.709 ± 0.020)
H <sub>0</sub>	16.0 ± 0.5	(0.630 ± 0.020)
I	2.0 max.	(0.079 max.)
I <sub>0</sub>	7.0 max.	(0.276 max.)
φD <sub>0</sub>	4.0 ± 0.2	(0.157 ± 0.008)
W <sub>0</sub>	12.5 min.	(0.492 min.)
t	0.7 ± 0.2	(0.028 ± 0.008)
W <sub>2</sub>	3.0 max.	(0.118 max.)
L	11.0 max.	(0.433 max.)

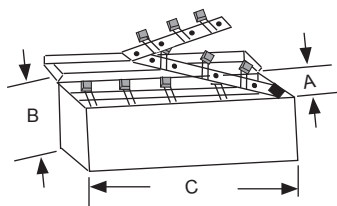
### AMMO BOX PACKING TB (TAPE BOX)

### BOX DIMENSIONS:

C = 330mm  
B = 270mm  
A = 50mm

### BOX QUANTITIES:

5mm pitch = 1,500pcs/box  
7.5mm pitch = 1,800pcs/box  
10mm pitch = 1,200pcs/box



## X-ON Electronics

Largest Supplier of Electrical and Electronic Components

*Click to view similar products for [nic manufacturer](#):*

Other Similar products are found below :

[NMC0603NPO0R6B50TRPF](#) [NMC0603NPO270J100TRPF](#) [NMC1206X5R226K6.3TRPLP2KF](#) [NRE-S100M25V4X7F](#) [NRE-  
HS102M25V12.5X16F](#) [NRC-S06F2212TRF](#) [NCD180J1KVNPOJTRF](#) [NRC-S06F1692TRF](#) [NMC-P1206X7R104K100TRPF](#) [NMC-  
H1206NPO471K1KVTRPLPF](#) [NML04J9N1TRF](#) [NRSNA4I4J150TR40KF](#) [NRWA470M35V6.3X11TBF](#) [NACE221M16V6.3X8TR13F](#)  
[NRSS332M50V18X35.5F](#) [NDTM106K25F1TRF](#) [NCM15X7R103K50F](#) [NCD103M1KVZ5UF](#) [NRSS682M25V18X35.5F](#)  
[NEXC224Z5.5V10.5X8.5TRF](#) [NRLRW221M450V30X35SF](#) [NDTM225K50F2TRF](#) [NRLR222M200V35X45SF](#) [NRSZ471M50V12.5X20F](#)  
[NTCL106K35TRDF](#) [NRWA331M25V10X12.5F](#) [NRSY472M25V16X31.5F](#) [NEXS105Z5.5V28.5X14F](#) [NRLR181M400V25X30SF](#)  
[NRSZ102M25V12.5X20F](#) [NUVA33T385TRF](#) [NUVA33V405TRF](#) [NRLMW331M250V30X25F](#) [NRLF103M25V35X20F](#)  
[NRLMW682M50V30X40F](#) [NDTM106K35F](#) [NRLMW102M200V35X35F](#) [NPIS43LS220MTRF](#) [NTC-T475K50TRDF](#)  
[NCD222M1KVZ5UKF](#) [NRLR472M63V25X40SF](#) [NTP157M10TRD\(40\)F](#) [NPIM74C3R3MTRF](#) [NPI104C100MTRF](#)  
[NEXC474Z3.5V10.5X8.5TRF](#) [NRLM102M100V25X25F](#) [NACZ331M35V10X10.5TR13F](#) [NRLM223M50V 35X50F](#)  
[NAZT221M50V10X10.5LBF](#) [NACK102M10V 10X10.5TR13F](#)