

Industrial Laser Modules ILM12F Series

Now with adjustable focus

The ILM12F laser modules are the next generation of our previous ILM12 series. The lasers were specifically developed for industrial positioning and alignment applications. Thanks to their M12x1 external thread, these lasers, which come in industrial housings made of stainless steel, are easy to integrate. All lasers come with an adjustable focus to generate a crisp and thin line at the desired working distance.

The ILM12F laser modules project either dots, lines, or cross hairs at 520 nm (green) or 635nm (bright red).



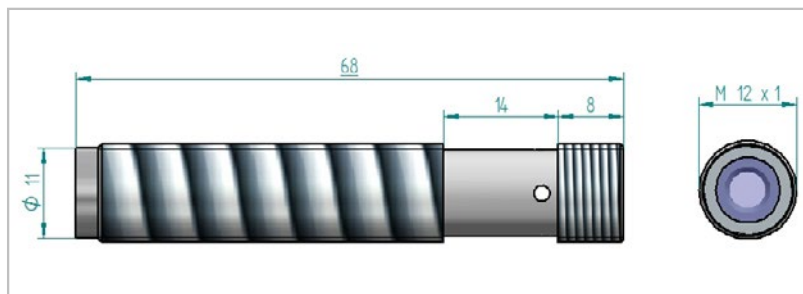
Connector and cable not included

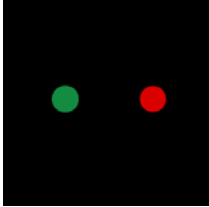

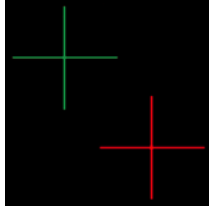
Characteristics

- Dot laser
- Line laser
- Cross-hair laser
- 520 nm (green) or 635 nm (bright red)
- 4.5/10 – 30 VDC supply voltage
- M12 industrial housing and connector
- Lasers with laser class 1, 1M, 2 and 2M available (no laser safety eyewear necessary)

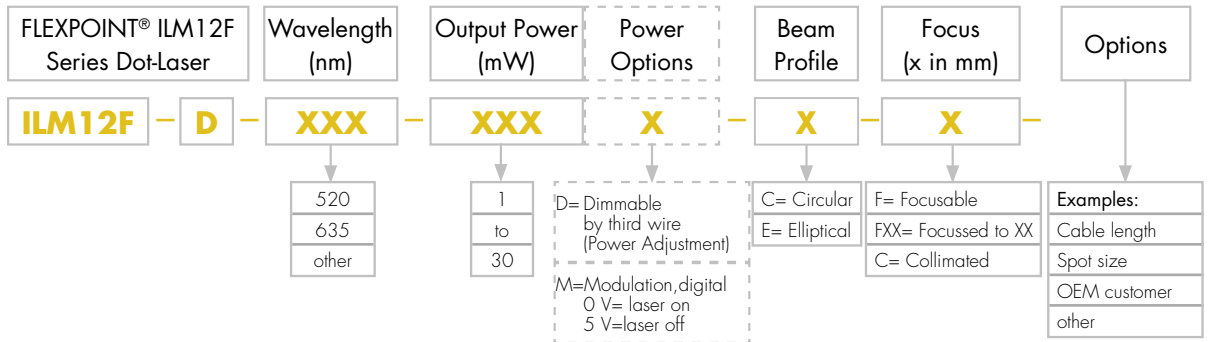
Applications

- Positioning tasks
- Timber industry
- Metal industry
- Textile industry
- Image processing
- Automotive industry

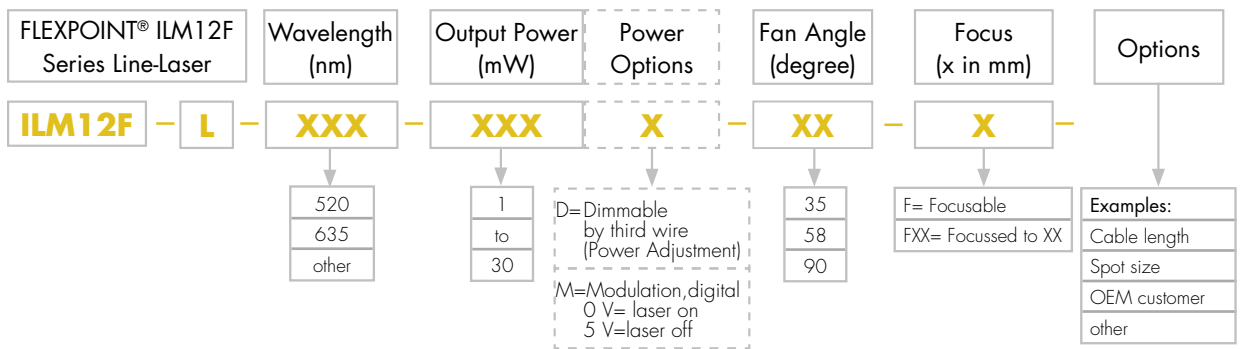


| | Dot laser | Line laser | Crosshair laser |
|---------------------------|---|---|---|
| Model | ILM12F-D  | ILM12F-L  | ILM12F-DOE  |
| Wavelength | 520 nm (bright green) / 635 nm (bright red) | | |
| Output power | <1 – 30 mW | | |
| Modulation (option) | digital, up to 10 kHz (active low, higher frequencies on request) | | |
| Power adjustment (option) | by control voltage 0 – 5 V (active low) | | |
| Focussing range | 0.1 - 10 m | | |
| Beam pointing error | <5 mrad | | |
| Pointing stability | 10 µrad/°C | | |
| Operating voltage | 10 - 30 VDC (520 nm) / 4.5 - 30 VDC (635 nm) | | |
| Operating temperature | 0° up to 50°C | | |
| Storage temperature | -10° up to +60 °C | | |
| Housing | Stainless steel with thread M12x1, potential free | | |
| Dimensions | 68 mm x M12 (see drawing) | | |
| Protection class | IP 54 | | |
| Connector | M12, 4 Pins (Pin 1 +, Pin 3 -) | | |
| Accessories | Connector with 2/5/10 m cable, universal power supply, battery pack | | |

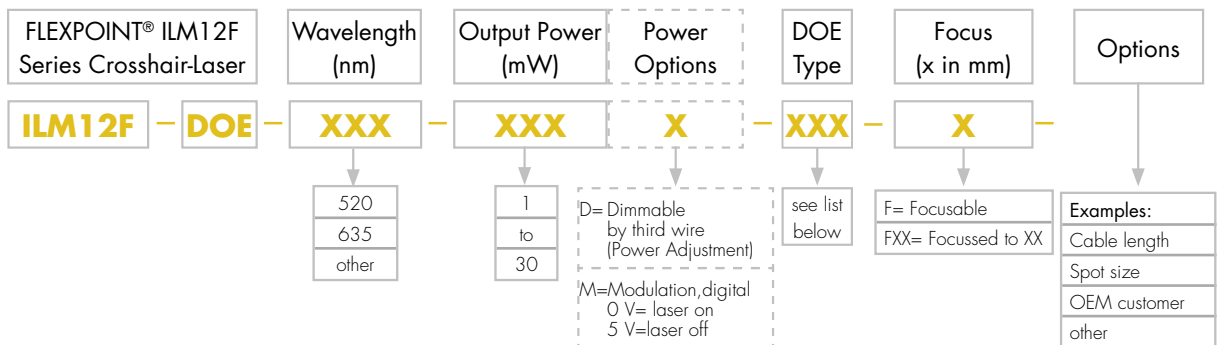
Ordering Code FLEXPOINT® ILM12F Series Dot Lasers



Ordering Code FLEXPOINT® ILM12F Series Line Lasers




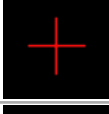


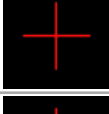
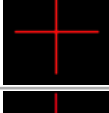
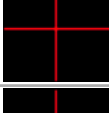



Ordering Code FLEXPOINT® ILM12F Series Crosshair Lasers



Crosshair



| DOE Item # | Description | Pattern Size @ 100 mm Distance | | Pattern Angles (@ 635 nm) | Image |
|------------|---------------------------|-----------------------------------|----------|------------------------------|---|
| | | a | α | α | |
| DOE-214 | Cross - 2 | 3.5 mm | | 2° |  |
| DOE-205 | Cross - 5 635 - 660 nm | 9 mm | | 5° |  |
| DOE-239 | Cross - 5 520 nm | 10.5 mm | | 5° |  |
| DOE-218 | Cross - 15 | 26 mm | | 15° |  |
| DOE-245 | Cross - 10 | 17.6 mm | | 10° |  |
| DOE-247 | Cross - 25 | 44 mm | | 25° |  |
| DOE-270 | Cross - 30 | 53 mm | | 30° |  |
| DOE-248 | Cross - 37 | 66 mm | | 37° |  |
| DOE-249 | Cross - 45 | 83 mm | | 45° |  |
| DOE-280 | Cross - 60 | 116 mm | | 60° |  |

Accessories for ILM12F Lasers

LT-PLM-PS-12: Universal power supply for 100-240 Volts AC

This Power Supply can be used worldwide with all laser modules having a M12 connector. It is not to be used with other equipment than specified.

LT-PLM-PS-12 Power Supply

| | |
|-----------------------|--|
| Content of Delivery | Power Supply, 4x plug adapter (Europe, UK, USA, Japan) |
| Operating Voltage | 100-240 VAC / 50-60 Hz |
| Output Voltage | 12 VDC |
| Output Current | 300 mA |
| Cable Length | 1.8 m |
| Connector | M12 female (Pin 1: + / Pin 3: GND) |
| Operating Temperature | -20°C to + 60°C |



LT-PLM-AP-10: Battery pack for mobile applications

This battery pack power supply can be used in mobile applications with all laser modules having a M12 connector. It is not to be used with other equipment than specified. The battery pack and the Charger are designed for indoor use only.

LT-PLM-AP- battery pack

| | |
|-----------------------|--|
| Content of Delivery | Battery pack, charger with 4x plug adapter (Europe, UK, USA, Japan), M12 cable |
| Input Voltage | 100 - 240 VAC / 50 - 60 Hz |
| Output Voltage | 10 VDC |
| Capacity | 800 mAh |
| Operating Temperature | -20°C to + 60°C |
| Connector | M12 (Pin 1: + / Pin 3: GND) |
| Cable Length | 2 m |
| Dimensions | 80 mm x 75 mm x 30 mm |



X-ON Electronics

Largest Supplier of Electrical and Electronic Components

Click to view similar products for [Distance Sensor Modules](#) category:

Click to view products by [Laser Components](#) manufacturer:

Other Similar products are found below :

[114992561](#) [114991133](#) [TF03-100 420ma](#) [TF03-180 420ma](#) [ILM12F-DOE-520-7-289-F](#) [LC-LMD-635-03-01-A](#) [LC-LMD-650-01-03-A](#) [LC-LMD-650-02-01-A](#) [LC-LMD-650-02-03-A](#) [LC-LMD-650-03-01-A](#) [LC-LMD-650-05-05-A](#) [LC-LMD-780-01-01-A](#) [LC-LMD-780-01-03-A](#) [LC-LMD-850-01-01-A](#) [LC-LMD-850-01-03-A](#) [FP-D-520-5-C-F](#) [FP-D-650-1-C-F](#) [FP-HD-L-635-7-30-F](#) [FP-L-520-10-50-C](#) [FP-D-405-16-E-F](#) [FP-D-635-13-E-F](#) [FP-D-635-17-C-F](#) [FP-D-635-3-E-F](#) [FP-D-635-40-C-F](#) [FP-D-635-7-E-F](#) [FP-D-650-20-C-F-24](#) [FP-D-650-25-E-F](#) [FP-D-650-3-E-F](#) [FP-D-660-40-C-F](#) [FP-D-670-1-C-F](#) [FP-D-670-5-C-F](#) [FP-D-785-50-C-F](#) [FP-D-850-1-C-F](#) [FP-D-850-5-E-F](#) [FP-D-905-7-E-F](#) [FP-L-405-15-50-C](#) [FP-L-635-1-50-C](#) [FP-L-635-5-50-C](#) [FP-L-650-1-50-C](#) [FP-L-850-3-50-C](#) [FP-L-905-5-50-C](#) [ILM12F-DOE-520-7-259-F](#) [FP-MV18-ST-660-20-30-F-STD](#) [ILM12F-D-635-1-C-F](#) [ILM12F-DOE-635-7-247-F](#) [ILM12F-L-520-7-58-F](#) [ILM12F-L-635-7-58-F](#) [LC-LMD-635-02-03-A](#) [LC-LMD-635-03-03-A](#) [LC-LMD-650-01-01-A](#)