

D-Sub Full Metal, Top, Crimp Ferrule CZK

TECHNICAL SPECIFICATIONS

Material: Zinc, Nickel Plated
Brass Ferrule / Brass Ring

Operating Temperature: -40°C to +120°C

Cable Entry: Top Entry

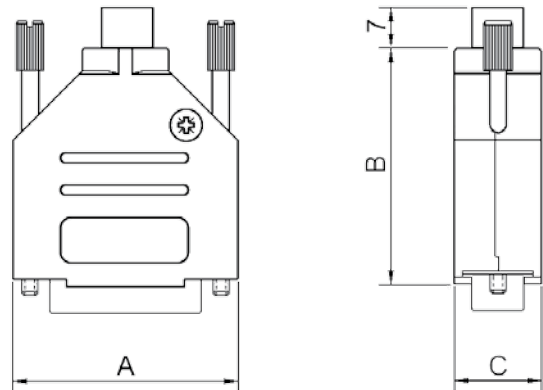
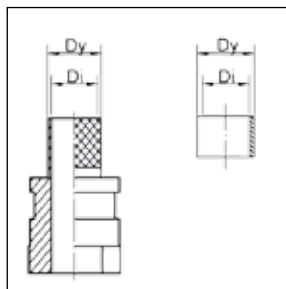
Thumbscrews: UNC 4-40 (Standard)
M2,5 or M3 on request

Cable O.D.: Up to 9,5mm



Features:

- Available in sizes 9-15-25-37
- Excellent EMI Shielding
- Re-openable
- Strain relief inserts ensure a secure termination
- Full Metal Jackscrew as standard



Max Cable O.D. (mm)	Body: Dy / Di	Ring: Dy / Di	Order Code X:
6,0	5,0 / 4,0	7,0 / 6,0	1
7,5	7,0 / 6,0	9,0 / 8,0	2
8,5	8,0 / 7,0	10,0 / 9,0	3
9,5	9,0 / 8,0	11,0 / 10,0	4

Size DTZK-CZK	Dim A	Dim B	Dim C
9-way	31,2	39,9	15,0
15-way	39,5	41,5	15,0
25-way	53,4	48,6	15,0
37-way	69,7	53,6	15,0

Ordering information:

Size:	P/N - Kitted:	Product Code:
9-way	6560-06X5-01	DTZK09-CZK-K
15-way	6560-06X5-02	DTZK15-CZK-K
25-way	6560-06X5-03	DTZK25-CZK-K
37-way	6560-06X5-04	DTZK37-CZK-K

Size:	P/N - BULK:	Product Code:
9-way	6561-06X5-01	DTZK09-CZK
15-way	6561-06X5-02	DTZK15-CZK
25-way	6561-06X5-03	DTZK25-CZK
37-way	6561-06X5-04	DTZK37-CZK

Encitech AB
Rörkullsvägen 4
SE-302 41 HALMSTAD, Sweden

Tel.: +46-(0)35-15 13 90
Fax: +46-(0)35-15 13 99

www.encitech.com

X-ON Electronics

Largest Supplier of Electrical and Electronic Components

Click to view similar products for [D-Sub Standard Connectors](#) category:

Click to view products by [Encitech](#) manufacturer:

Other Similar products are found below :

[DCM37S732N](#) [DAM15P500](#) [DEV09S364GTLF](#) [DEM09P032N](#) [DDM50P732N](#) [DAM15S332N](#) [173109-2218](#) [173109-2466](#) [173109-2436](#)
[173109-2435](#) [56F706-005-LI](#) [56F711-015](#) [015-0341-000](#) [015-0372-008](#) [015-8544-011](#) [017041-0005](#) [020419-0104](#) [012-0515-000](#) [012-9507-](#)
[034](#) [012-9507-114](#) [012-9534-001](#) [020745-0008](#) [609-25P](#) [M24308/2-23Z](#) [M243082310F](#) [M243082410F](#) [M243082411F](#) [M24308/4-21](#)
[CT1A18-11PSA206](#) [CT1N36-5SC](#) [CT2-16S-17PS](#) [CT2-20-15PCAU](#) [CT2-24-12PS](#) [CT2-24-28PSF127A206](#) [CT2-32-9PC](#) [CT6F9767-14-4-](#)
[14S-5PC](#) [CT6FA10SL-4PS](#) [CT7-18-10SC](#) [CT7-18-10SCAU](#) [CT7-18-12SCAU](#) [CT7-18-1PC](#) [CT7-18-1PCAU](#) [CT7-18-21SCAU](#) [M83513/01-](#)
[FC](#) [M83723/76W24619 L/C](#) [M85049/48-3-2F](#) [69001-865](#) [6STD09PCM99B70X](#) [6STD09SCM99B30X](#) [6STD09SCT99S40X](#)