



**ELECTRONICS, INC.**  
 44 FARRAND STREET  
 BLOOMFIELD, NJ 07003  
 (973) 748-5089  
<http://www.nteinc.com>

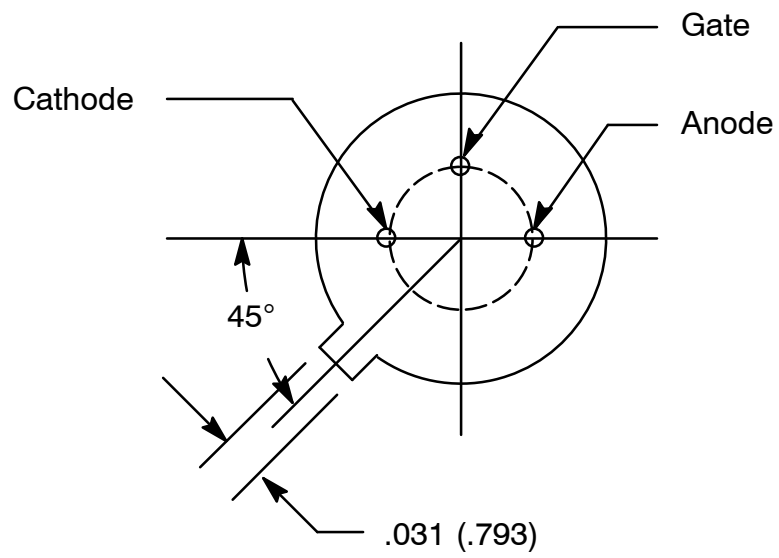
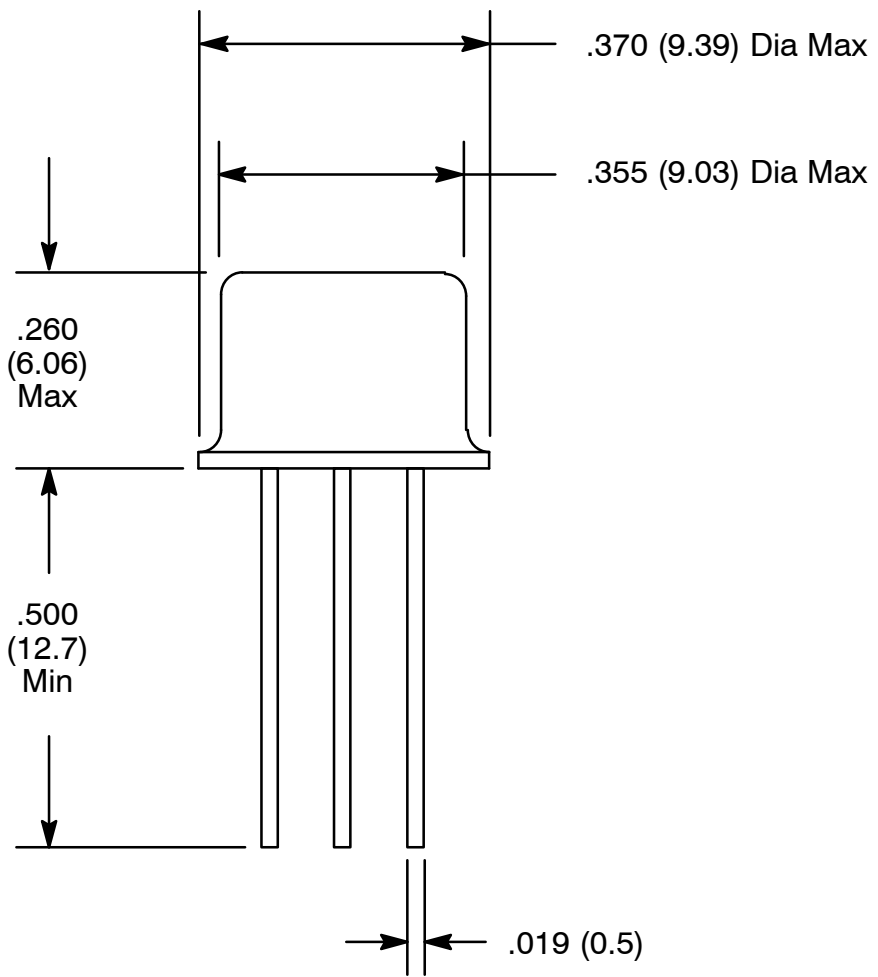
## NTE5427 thru NTE5429 Silicon Controlled Rectifier (SCR) 7 Amp, TO-39 Type Package

**Absolute Maximum Ratings:**

Repetitive Peak Reverse Voltage ( $T_C = +110^\circ\text{C}$ ), $V_{RRM}$	
NTE5427 .....	200V
NTE5428 .....	400V
NTE5429 .....	600V
Repetitive Peak Off-State Voltage ( $T_C = +110^\circ\text{C}$ ), $V_{DRM}$	
NTE5427 .....	200V
NTE5428 .....	400V
NTE5429 .....	600V
RMS On-State Current ( $T_C = +80^\circ\text{C}$ , Conduction Angle of $180^\circ$ ), $I_{T(RMS)}$ .....	
	7A
Peak Surge (Non-Repetitive) On-State Current (One Cycle at 50 or 60Hz), $I_{TSM}$ .....	
	80A
Peak Gate-Trigger Current ( $3\mu\text{s}$ Max), $I_{GTM}$ .....	
	1A
Peak Gate-Power Dissipation ( $I_{GT} \leq I_{GTM}$ ), $P_{GM}$ .....	
	20W
Average Gate Power Dissipation, $P_{G(AV)}$ .....	
	500mW
Operating Temperature Range, $T_{opr}$ .....	
	$-40^\circ$ to $+110^\circ\text{C}$
Storage Temperature Range, $T_{stg}$ .....	
	$-40^\circ$ to $+150^\circ\text{C}$
Typical Thermal Resistance, Junction-to-Case, $R_{thJC}$ .....	
	$2.5^\circ\text{C/W}$

**Electrical Characteristics:** ( $T_C = +25^\circ\text{C}$  unless otherwise specified)

Parameter	Symbol	Test Conditions	Min	Typ	Max	Unit
Peak Off-State Current	$I_{RRM}$	$V_{RRM} = \text{Max}, V_{DRM} = \text{Max},$ $T_C = +110^\circ\text{C}, R_{GK} = 1\text{k}\Omega$	-	-	1	mA
	$I_{DRM}$		-	-	1	mA
Maximum On-State Voltage	$V_{TM}$	$I_T = 7\text{A}$	-	-	2	V
DC Holding Current	$I_{HOLD}$		-	-	50	mA
DC Gate-Trigger Current	$I_{GT}$	$V_D = 6\text{VDC}, R_L = 100\Omega$	-	-	25	mA
DC Gate-Trigger Voltage	$V_{GT}$	$V_D = 6\text{VDC}, R_L = 100\Omega$	-	-	1.5	V
Gate Controlled Turn-On Time	$t_{gt}$	$I_G \times 3_{GT}$	-	2	-	$\mu\text{s}$
$I^2t$ for Fusing Reference	$I^2t$	For SCR Protection	-	-	2.6	$\text{A}^2\text{sec}$
Critical Rate of Off-State Voltage	$dv/dt$ (critical)	Gate Open, $T_C = +100^\circ\text{C}$	-	100	-	$\text{V}/\mu\text{s}$



## X-ON Electronics

Largest Supplier of Electrical and Electronic Components

*Click to view similar products for [SCRs](#) category:*

*Click to view products by [NTE](#) manufacturer:*

Other Similar products are found below :

[NTE5428](#) [NTE5448](#) [NTE5457](#) [NTE5511](#) [T1500N16TOF VT](#) [T720N18TOF](#) [T880N14TOF](#) [T880N16TOF](#) [TS110-7UF](#) [TT104N12KOF-A](#)  
[TT104N12KOF-K](#) [TT162N16KOF-A](#) [TT162N16KOF-K](#) [TT330N16AOF](#) [VS-16RIA100](#) [VS-22RIA20](#) [VS-2N5206](#) [VS-2N685](#) [VS-](#)  
[40TPS08A-M3](#) [VS-ST230S12P1VPBF](#) [057219R](#) [CLB30I1200HB](#) [T1190N16TOF VT](#) [T1220N22TOF VT](#) [T201N70TOH](#) [T830N18TOF](#)  
[TD92N16KOF-A](#) [TT250N12KOF-K](#) [VS-2N692](#) [VS-2N689](#) [VS-25RIA40](#) [VS-16RIA120](#) [VS-10RIA120](#) [VS-30TPS08PBF](#) [NTE5427](#)  
[NTE5442](#) [VS-2N690](#) [VS-ST300S20P0PBF](#) [TT251N16KOF-K](#) [VS-22RIA100](#) [VS-16RIA40](#) [CR02AM-8#F00](#) [VS-ST110S12P0VPBF](#)  
[TD250N16KOF-A](#) [VS-ST110S16P0](#) [VS-10RIA10](#) [VS-16TTS08-M3](#) [TS110-7A1-AP](#) [T930N36TOF VT](#) [T2160N24TOF VT](#)