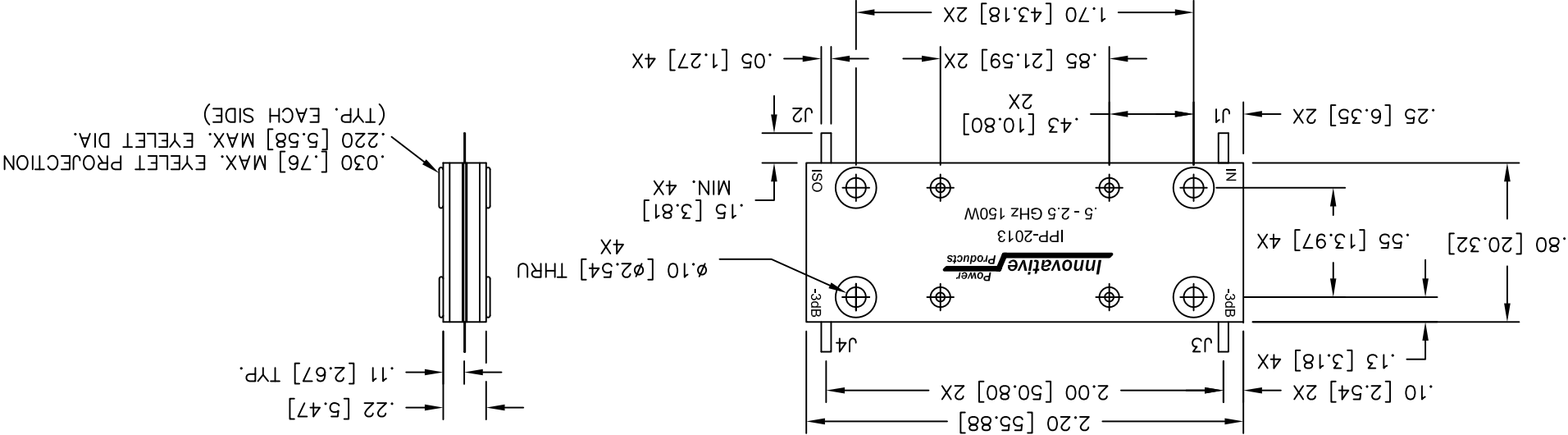


UNAUTHORIZED USE OF THIS
DRAWING IS STRICTLY PROHIBITED

DAR	REV	DESCRIPTION	APPVD	DATE
1042	A	INITIAL RELEASE	TJD	12-05
1058	B	REMOVE 2 CENTER EYELETS	TJD	2-06
1277	C	CHANGE POWER FROM 200 W TO 150 W	TJD	4-07
1453	D	REVISE SPECIFICATIONS	DG	6-08
2905	E	SEE DAR	DG	2-11
4806	F	SEE DAR	DG	2-14



PORT CONFIGURATION

INPUT	J1	J2	J3	J4
J1	ISOLATION	ISOLATION	-3dB<-90 DEG	-3dB<-90 DEG
J2	ISOLATION	ISOLATION	-3dB<-90 DEG	-3dB<-90 DEG
J3	ISOLATION	ISOLATION	-3dB<-90 DEG	ISOLATION
J4	ISOLATION	ISOLATION	ISOLATION	ISOLATION

ELECTRICAL SPECIFICATIONS

FREQUENCY: 0.5 - 2.5 GHz
 INSERTION LOSS: < 0.50 dB
 VSWR: < 1.30:1
 ISOLATION: > 18 dB
 PHASE BALANCE: ±0.65 dB
 POWER: 150 WATT
 TEMPERATURE: -55°C TO 85°C

- NOTES:
- LEAD MATERIAL: 99.99% PURE SILVER
 - SEE 90° APPLICATION NOTE FOR FURTHER INFORMATION.
 - ROHS COMPLIANT.
 - DATA AND SPECIFICATIONS APPLY WHEN PART IS MOUNTED IN IPP TEST FIXTURE TF-1001. TEST FIXTURE CONFIGURATION/FOOTPRINT AVAILABLE ON REQUEST.

MATERIAL	DWN	DG	DATE	12/05
AL. ALLOY, 6061-T6 <td>ENG <td>TJD <td>DATE <td>12/05</td> </td></td></td>	ENG <td>TJD <td>DATE <td>12/05</td> </td></td>	TJD <td>DATE <td>12/05</td> </td>	DATE <td>12/05</td>	12/05
FINISH CHEM FILM CLEAR PER MIL-DTL-5541, TYPE 2, REV F, CLASS 3 ROHS COMPLIANT <td>MANUF <td>TP <td>DATE <td>12/05</td> </td></td></td>	MANUF <td>TP <td>DATE <td>12/05</td> </td></td>	TP <td>DATE <td>12/05</td> </td>	DATE <td>12/05</td>	12/05
TOLERANCE .XX ±.02 [.50] ANG. ±1/2°	SHEET	1 OF 1 <td>SCALE</td> <td>2:1 </td>	SCALE	2:1
REV. F	P/N	IPP-2013		



TITLE OUTLINE, COUP., 90°, 5 - 2.5 GHz, 150W

X-ON Electronics

Largest Supplier of Electrical and Electronic Components

Click to view similar products for [RF Connector Accessories](#) *category:*

Click to view products by [Innovative Power Products](#) *manufacturer:*

Other Similar products are found below :

[R280461210](#) [89674-0712](#) [F702RX24](#) [FERRULE-174](#) [9-225381-1](#) [9-228783-0](#) [R125802000](#) [R125812001](#) [R141805000](#) [R141842000](#)
[R141862000W](#) [R161853000W](#) [R161862000](#) [R161862000W](#) [R176811000](#) [R280752000](#) [R280907000](#) [R694261906](#) [RFI155-13-D4](#) [RFI21-13](#)
[RFI25-9](#) [RFI3157-7](#) [RFI75-13-D2](#) [RFI75-3](#) [RFI75-4-D2](#) [RFI97-13](#) [IPP-2013](#) [2098-0294-00](#) [2098-3251-94](#) [RUBBER-CAP-BNC](#) [9-225381-](#)
[0](#) [9-329099-2](#) [9-332224-1](#) [FERRULE-223](#) [202102-11](#) [213337-1](#) [220222-2](#) [24092671A](#) [24092678A](#) [R143805000](#) [R161841000](#)
[R161841000W](#) [R280510000](#) [R282862060](#) [RFI155-1](#) [RFI25-12-D3](#) [RFI25-5](#) [RFI25-5-D3](#) [RFI75-12-D2](#) [RFI75-4-D10](#)