



PRODUCT NUMBER
20020110-XXXXXXLF

20020110- [] [] [] [] A O [] L F

PITCH

C: 3.50 mm
D: 3.81 mm
G: 5.00 mm
H: 5.08 mm

POLES

02: 2 POLES
03: 3 POLES
04: 4 POLES
|
24: 24 POLES

LF : DENOTED RoHS COMPATIBLE

1 : STANDARD PRODUCT
W/ BOX PACKING

PROPERTY TABLE					
FCI SERIES NAME		06-350	06-381	06-500	06-508
PITCH (mm)		3.50	3.81	5.00	5.08
VOLTAGE RATING (VAC)		300	300	300	300
CURRENT RATING (A)	cULus	10	10	12	12
	VDE	10.5	10.5	NA	NA
WITHSTANDING VOLTAGE (kV)	cULus	1.6	1.6	1.6	1.6
	VDE	2.5	2.5	NA	NA
OPERATING TEMP. (°C)		-40~+115	-40~+115	-40~+115	-40~+115
SOLDERING TEMP. (°C)		250±10 (5 sec.)	250±10 (5 sec.)	250±10 (5 sec.)	250±10 (5 sec.)
POLES AVAILABLE		02~24	02~24	02~24	02~24
SAFETY CERTIFICATE					

HOUSING CODE

CODE	COLOR	AVAILABILITY
1	GREEN(RAL 6018/T)	STANDARD
2	BLACK	ON REQUEST ONLY
3	GREY(RAL 7004/P)	ON REQUEST ONLY
4	BLUE(RAL 5015/A)	ON REQUEST ONLY

NOTES:

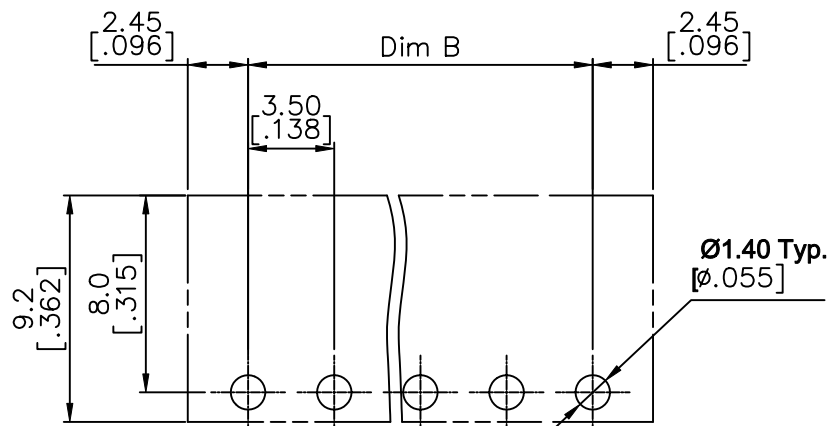
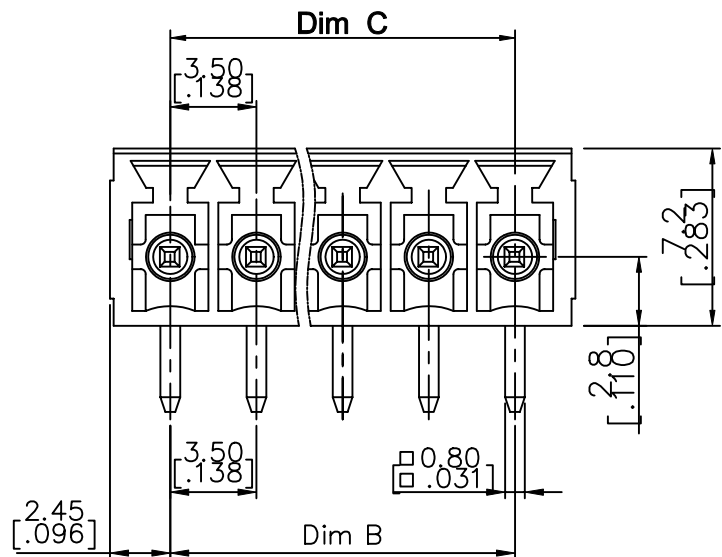
MATERIALS

- 1-1 HOUSING: THERMALPLASTIC RESIN, UL 94V-0 RATED.
- 1-2 TERMINAL: COPPER ALLOY, TIN PLATED.
- 2. PRODUCTION SPECIFICATION REFER TO FCI GS-12-625.
- 3. BOXED PACKAGING.
DETAILED PRODUCT PACKING SPECIFICATION REFER TO FCI GS-14-1394.
- 4. FCI, SAFETY CERTIFICATE LOGO AND SERIES NAME TO BE SHOWN ON PRODUCT SURFACE.
- 5. THE PRODUCTS WHERE THE PART NUMBER END IN "LF" MEET THE EUROPEAN UNION DIRECTIVE AND OTHER COUNTRY REGULATIONS AS DESCRIBED IN GS-22-008.
- 6. RECOMENDED SOLDERING PROCESS BY WAVE SOLDER.

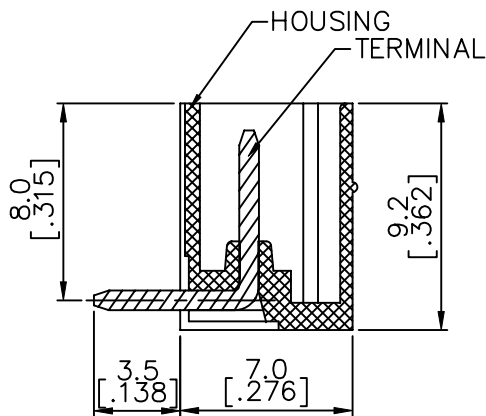
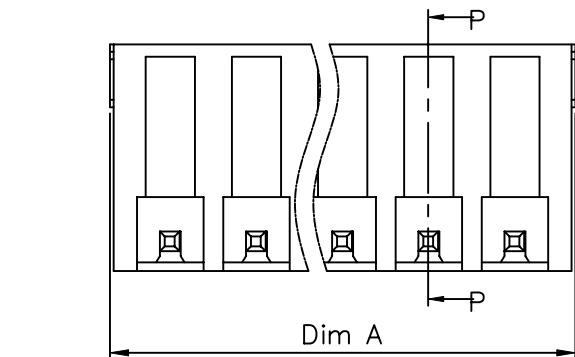
mat'l. code		surface ASME Y14.5 ✓		tolerance ASME Y14.5		projection 		product family TERMINAL BLOCK	
ltr	ecn no	dr	date	tolerances unless otherwise specified				title	
H	T10-0193	WL	122310	angles	X.±0.5[.020]			TERMINAL BLOCK	
J	T11-0013	WL	040811	to	X.X±0.3[.012]			PLUGGABLE SOCKET, RIGHT ANGLE	
K	T-004746	WL	072011	1"	X.XX±0.1[.004]	scale		dwg no 20020110	
				dr	BEER FU	062509		sheet 1 of 5 size A4	
				enr	BEER FU	062509		type CUSTOMER Drawing	
				chr	GARY HSIEH	062509			
				appd	JOSEPH HSIA	062509			
sheet index	revision	K	K	K	K	K	K		
	sheet	1	2	3	4	5			



PRODUCT NUMBER	SERIES NAME	PITCH
20020110-CXXXXXXLF	06-350	3.50 mm



RECOMMENDED P.C.B LAYOUT



SECTION P-P

N= NUMBER OF POLES
DIMENSION

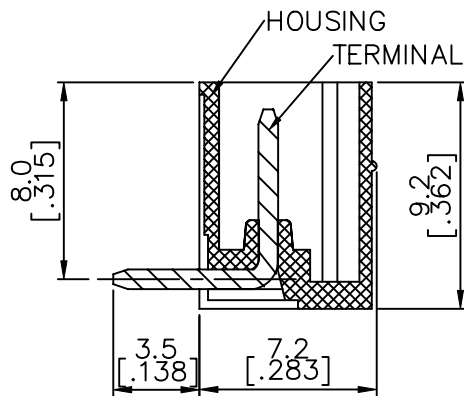
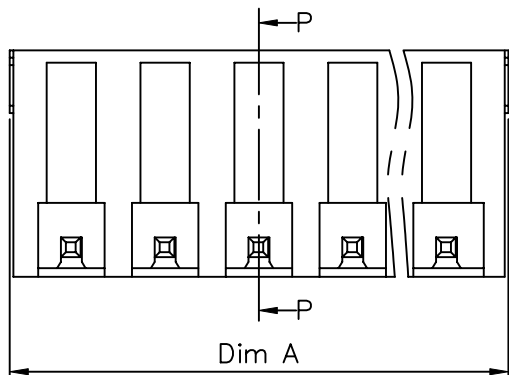
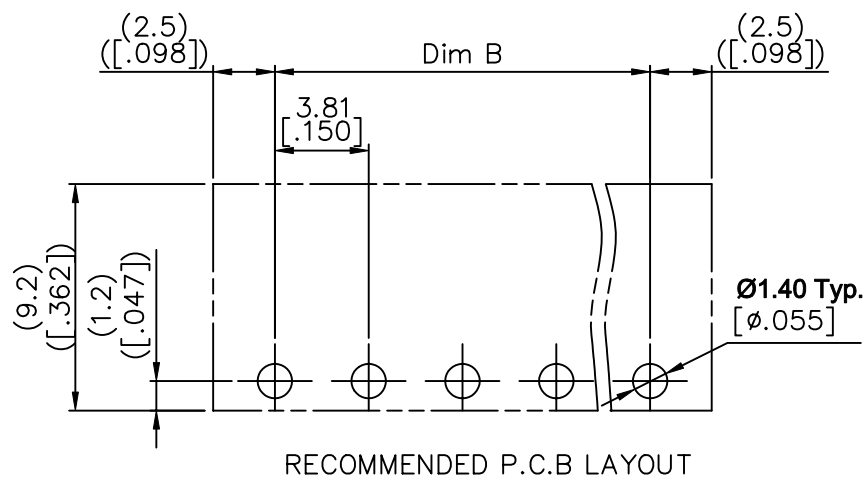
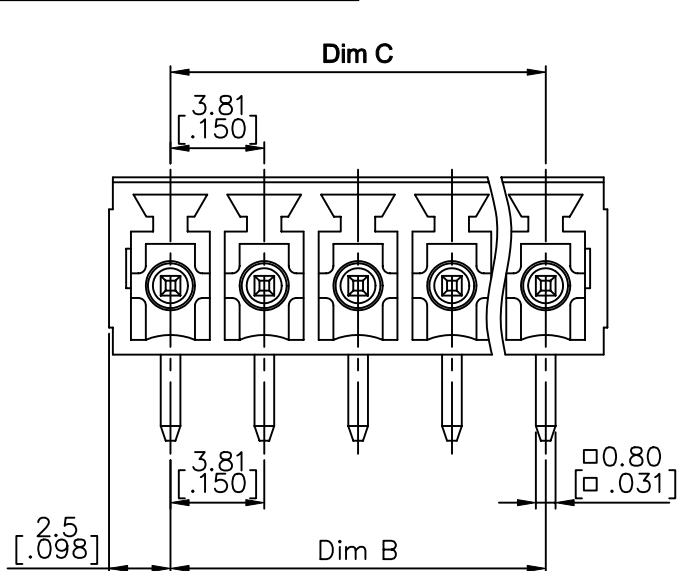
Dim A	$(N-1) \times 3.5 [.138] + 4.9 [.193]$
Dim B	$(N-1) \times 3.5 [.138]$
Dim C	$(N-1) \times 3.5 [.138]$

Poles	Tolerance
2P-6P	$\pm 0.15 [.006]$
7P-12P	$\pm 0.20 [.008]$
13P-18P	$\pm 0.25 [.010]$
19P-24P	$\pm 0.30 [.012]$

mat'l. code	surface ASME Y14.5	tolerance ASME Y14.5	projection MM INCH	product family TERMINAL BLOCK
ltr	ecn no	dr	date	title
K				TERMINAL BLOCK PLUGABLE, SOCKET, SIGNAL, R/A
	angles	tolerances unless otherwise specified	scale	dwg no 20020110
	$X \pm 1^\circ$	$X \pm 0.5 [.020]$ $X.X \pm 0.3 [.012]$ $X.XX \pm 0.1 [.004]$	FCI	sheet 2 of 5 size A4
	dr	BEER FU	062509	type CUSTOMER Drawing
	enr	BEER FU	062509	
	chr	GARY HSIEH	062509	
	app	JOSEPH HSIA	062509	
sheet index	revision sheet			



PRODUCT NUMBER	SERIES NAME	PITCH
20020110-DXXXXXL	06-381	3.81 mm



SECTION P-P

N= NUMBER OF POLES
DIMENSION

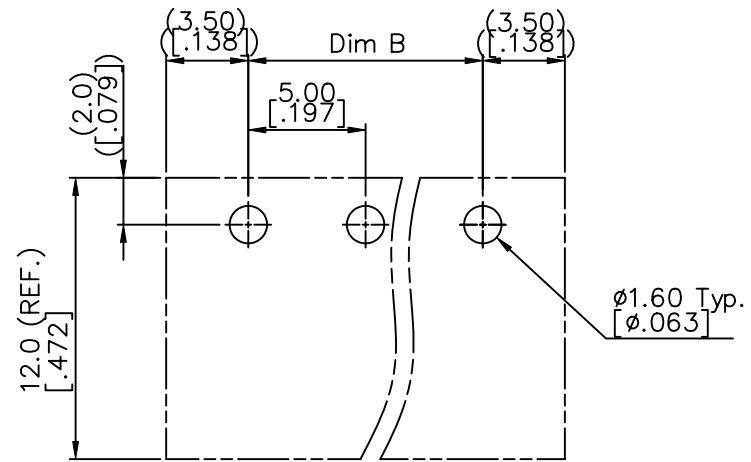
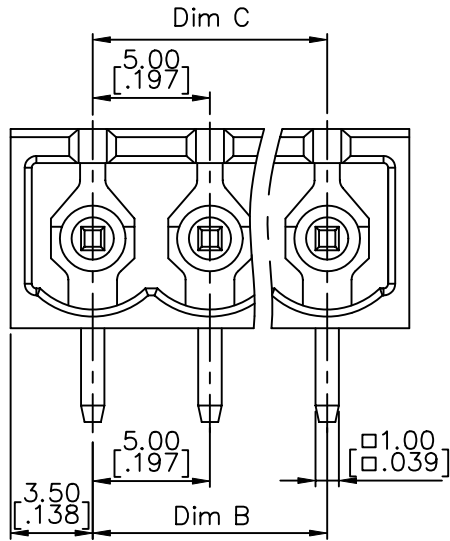
Dim A	$(N-1) \times 3.81 [.150] + 5.0 [.197]$
Dim B	$(N-1) \times 3.81 [.150]$
Dim C	$(N-1) \times 3.81 [.150]$

Poles	Tolerance
2p-6p	$\pm 0.15 [.006]$
7p-12p	$\pm 0.20 [.008]$
13p-16p	$\pm 0.25 [.010]$
17p-24p	$\pm 0.30 [.012]$

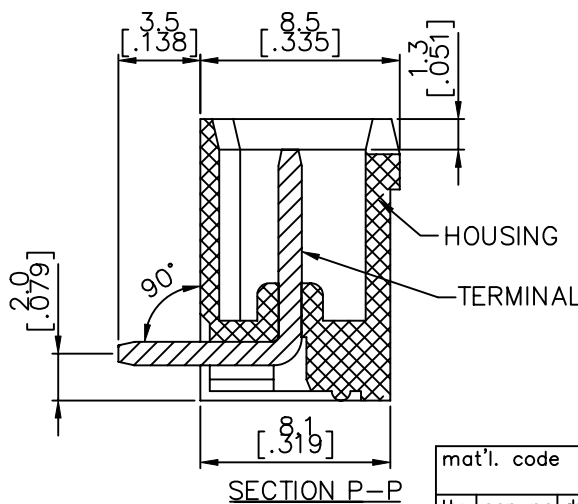
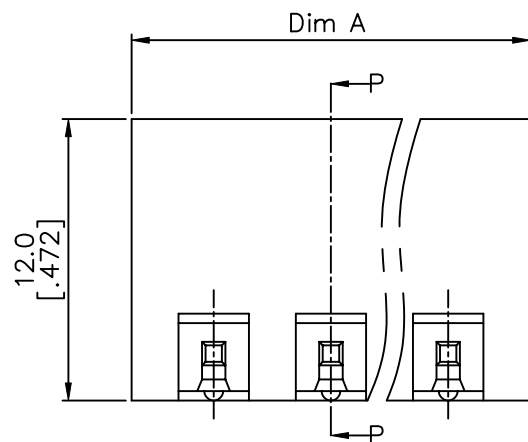
mat'l. code	surface ASME Y14.5	tolerance ASME Y14.5	projection 	product family TERMINAL BLOCK
ltr	ecn no	dr	date	title
K				TERMINAL BLOCK PLUGABLE, SOCKET, SIGNAL, R/A
	angles	inches	MM INCH	scale
	X°±1'	X.X±0.5 [.020] X.X±0.3 [.012] X.XX±0.1 [.004]		
dr	BEER FU	062509		FCI
enr	BEER FU	062509		dwg no
chr	GARY HSIEH	062509		20020110
app	JOSEPH HSIA	062509		sheet 3 of 5 size
sheet index	revision sheet			A4
				type CUSTOMER Drawing



PRODUCT NUMBER	SERIES NAME	PITCH
20020110-GXXXXXXLF	06-500	5.00 mm



RECOMMENDED P.C.B LAYOUT



N = NUMBER OF POLES
DIMENSION

Dim A	$N * 5.0 [.197] + 2.0 [.193]$
Dim B	$(N - 1) * 5.0 [.197]$
Dim C	$(N - 1) * 5.0 [.197]$

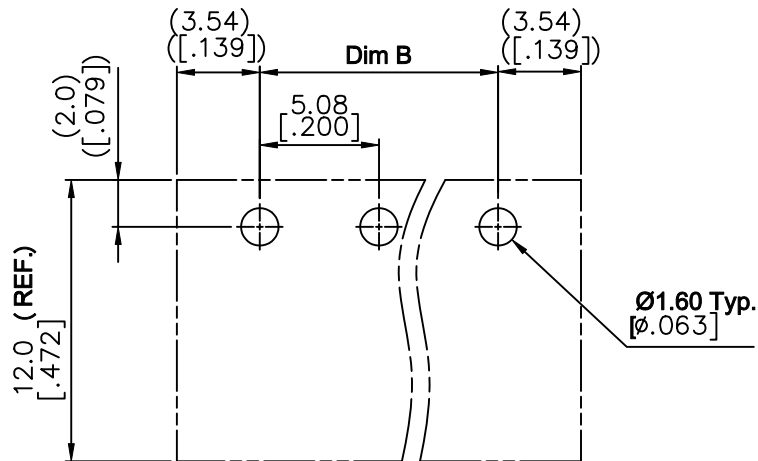
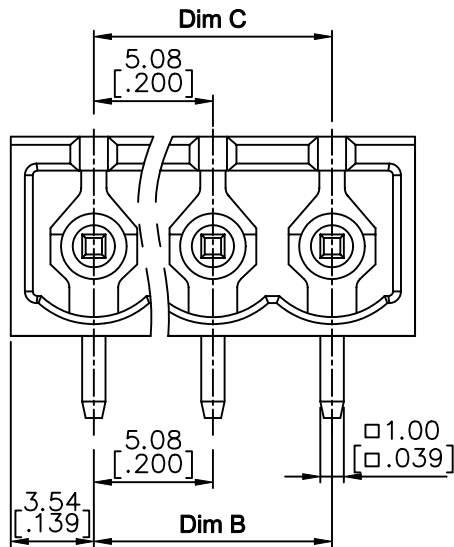
Poles	Tolerance
2p-6p	$\pm 0.15 [.006]$
7p-12p	$\pm 0.25 [.010]$
13p-16p	$\pm 0.35 [.014]$
17p-24p	$\pm 0.40 [.016]$

mat'l. code	surface ASME Y14.5	tolerance ASME Y14.5	projection 	product family TERMINAL BLOCK
ltr	ecn no	dr	date	title
K				TERMINAL BLOCK PLUGABLE, SOCKET, SIGNAL, R/A
	angles	tolerances unless otherwise specified	MM INCH	scale
	X°±1'	X.±0.5 [.020] X.X±0.3 [.012] X.XX±0.1 [.004]		
	dr	BEER FU	062509	dwg no
	enr	BEER FU	062509	sheet 4 of 5 size
	chr	GARY HSIEH	062509	20020110
	app	JOSEPH HSIA	062509	A4
sheet index	revision sheet			type CUSTOMER Drawing

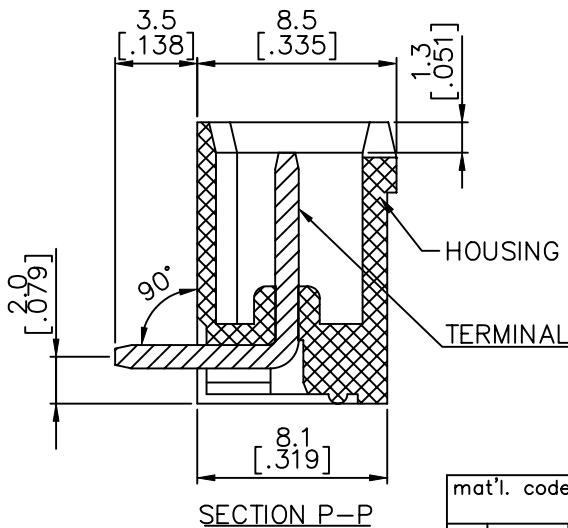
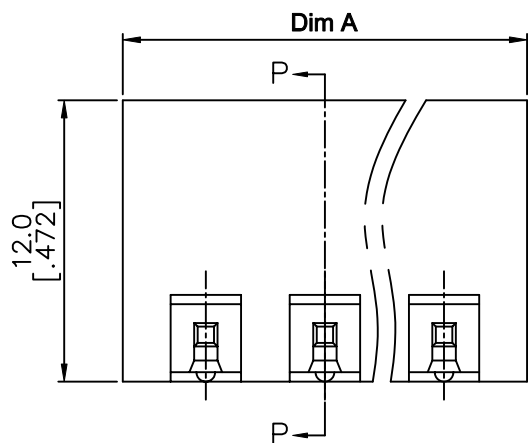




PRODUCT NUMBER	SERIES NAME	PITCH
20020110-HXXXXXLF	06-508	5.08 mm



RECOMMENDED P.C.B LAYOUT



N = NUMBER OF POLES
DIMENSION

Dim A	$N * 5.08 [0.200] + 2.0 [0.193]$
Dim B	$(N - 1) * 5.08 [0.200]$
Dim C	$(N - 1) * 5.08 [0.200]$

Poles	Tolerance
2p-6p	$\pm 0.15 [0.006]$
7p-12p	$\pm 0.25 [0.010]$
13p-16p	$\pm 0.35 [0.014]$
17p-24p	$\pm 0.40 [0.016]$

mat'l. code		surface ASME Y14.5	tolerance ASME Y14.5	projection	product family TERMINAL BLOCK
ltr		ecn no dr date		 MM INCH	title TERMINAL BLOCK PLUGABLE, SOCKET, SIGNAL, R/A
K		tolerances unless otherwise specified			
angles		line		scale	dwg no 20020110
X°±1'		X.X±0.3 [.012]			
dr		engr			type CUSTOMER Drawing
chr		appd			
appd		appd			
sheet index	revision sheet				

X-ON Electronics

Largest Supplier of Electrical and Electronic Components

Click to view similar products for [Headers & Wire Housings](#) category:

Click to view products by [FCT Electronics](#) manufacturer:

Other Similar products are found below :

[95000-104TRLF](#) [10135584-644402LF](#) [DF62W-EP2022PCA](#) [95000-106TRLF](#) [DF62W-2022SCA](#) [DF62W-EP2022PC](#) [2203348](#) [DF62W-2022SC](#) [1084018](#) [1029039](#) [1084017](#) [802-10-012-10-002000](#) [1112640](#) [1112639](#) [891-007-9SS-BST1T](#) [000-34000](#) [0008550134](#) [0009482033](#) [0009507031](#) [57102-F02-18ULF](#) [57102-S06-03LF](#) [57202-S52-04LF](#) [PCN6-15S-2.5E](#) [0039019024](#) [58102-G61-06LF](#) [582553-1](#) [0009485154](#) [0009508121](#) [0022285053](#) [0050291907](#) [018731A](#) [LY20-4P-DT1-P1E-BR](#) [02.125.8002.8](#) [60101931](#) [60598-1 \(Cut Strip\)](#) [M1625-3R/100](#) [61062-3](#) [61082-181009](#) [CSU011177004](#) [636-1427](#) [638009-1](#) [641938-9](#) [641991-4](#) [644168-1](#) [644827-2](#) [647662-1](#) [65039-019ELF](#) [65692-001LF](#) [65781-018](#) [65781-047](#)