

PRODUCT NUMBER
20020316-XXXXXXLF

20020316- [] [] [] [] [] 0 [] L F

PITCH
G: 5.00 mm
H: 5.08 mm

POLES
02: 2 POLES
03: 3 POLES
04: 4 POLES
24: 24 POLES

LF : DENOTED RoHS COMPATIBLE
1 : STANDARD PRODUCT
W/ BOX PACKING

SCREW CODE

CODE	SCREW TYPE	AVAILABILITY
A	-/+	ON REQUEST ONLY
B	-	STANDARD

PROPERTY TABLE			
FCI SERIES NAME		21-500	21-508
PITCH (mm)		5.00	5.08
VOLTAGE RATING (VAC)		300	300
CURRENT RATING (A)		16	16
APPLICABLE WIRE RANGE (AWG)	1-WIRE	12~28	12~28
	2-WIRE	18~28	18~28
WIRE CROSS SECTION (mm ²)	SOLID	1-WIRE	2.5
		2-WIRE	1
	STRANDED	1-WIRE	1.5
		2-WIRE	0.75
OPENING CONTACT HOUSING(mm)		2.1*2.7	2.1*2.7
WIRE STRIP LENGTH(mm)		6~7	6~7
TORQUE +/-10% (N-m/Lb-in)		0.40/3.5	0.40/3.5
SCREW		M3x0.5	M3x0.5
WITHSTANDING VOLTAGE (kV)		1.6	1.6
OPERATING TEMP. (°C)		-40~+115	-40~+115
SOLDERING TEMP. (°C)		250±10 (5 sec.)	250±10 (5 sec.)
POLES AVAILABLE		02~24	02~24
SAFETY CERTIFICATE		PENDING	

HOUSING CODE

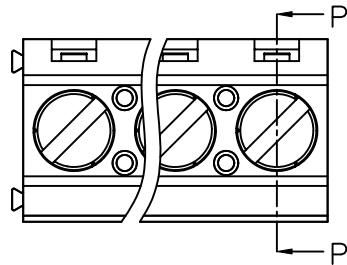
CODE	COLOR	AVAILABILITY
1	GREEN(RAL 6018/T)	STANDARD
2	BLACK	ON REQUEST ONLY
3	GREY(RAL 7004/P)	ON REQUEST ONLY
4	BLUE(RAL 5015/A)	ON REQUEST ONLY

NOTES:

- MATERIALS
1-1 HOUSING: THERMALPLASTIC RESIN, UL 94V-0 RATED.
1-2 SCREW: STEEL, ZINC PLATED.
1-3 CLAMP: COPPER ALLOY, NICKEL PLATED.
1-4 TERMINAL: COPPER ALLOY, TIN PLATED.
2. PRODUCTION SPECIFICATION REFER TO FCI GS-12-625.
3. BOXED PACKAGING.
DETAILED PRODUCT PACKING SPECIFICATION REFER TO FCI GS-14-1394.
4. FCI, SAFETY CERTIFICATE LOGO AND SERIES NAME TO BE SHOWN ON PRODUCT SURFACE.
5. THE PRODUCTS WHERE THE PART NUMBER END IN "LF" MEET THE EUROPEAN UNION DIRECTIVE AND OTHER COUNTRY REGULATIONS AS DESCRIBED IN GS-22-008.
6. RECOMMENDED SOLDERING PROCESS BY WAVE SOLDER.

mat'l. code		surface	tolerance	projection	product family
		ASME Y14.5	ASME Y14.5		TERMINAL BLOCK
ltr	ecn no	dr	date	title	
D	T10-0042	WL	030310	TERMINAL BLOCK	
E	T10-0083	WL	062210	FIXED HORIZONTAL WIRE INLET	
F	T10-0159	WL	100410	sheet 1 of 3 size	
G	T10-0187	WL	121410	20020316	
H	T-004746	WL	072011	A4	
sheet index		revision	H H H	type	
		sheet	1 2 3	CUSTOMER Drawing	

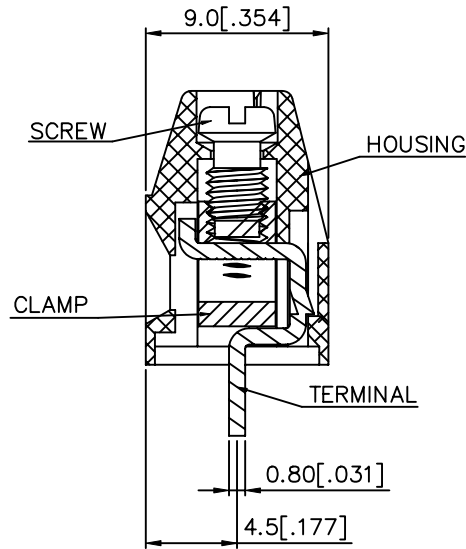
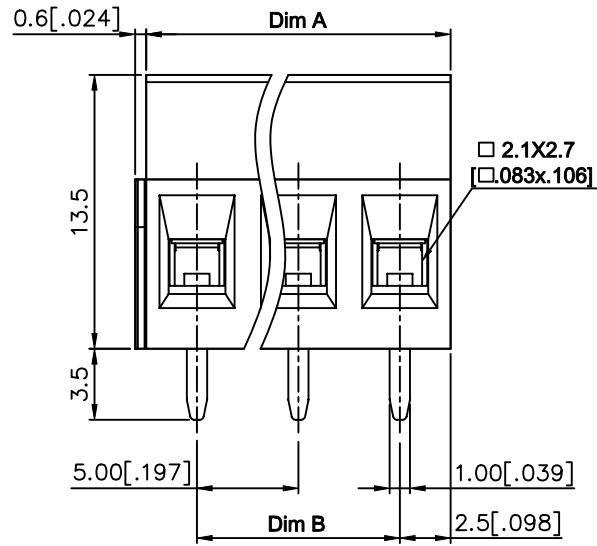
PRODUCT NUMBER	SERIES NAME	PITCH
20020316-GXXXXXXLF	21-500	5.00 mm



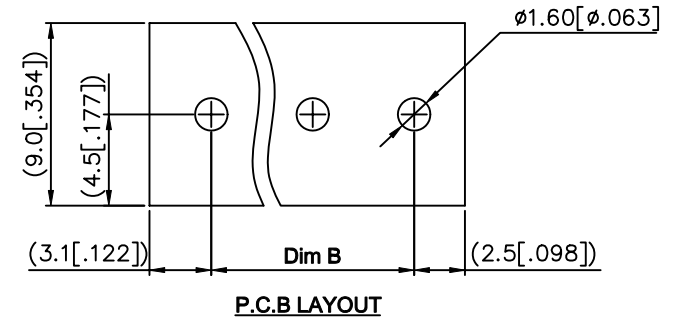
N=NUMBER OF POLES

Dim A	$N * 5.0 [.197]$
Dim B	$(N - 1) * 5.0 [.197]$

POLES	TOLERANCE
2p-6p	$\pm 0.15 [.006]$
7p-12p	$\pm 0.25 [.010]$
13p-16p	$\pm 0.35 [.014]$
17p-24p	$\pm 0.40 [.016]$



SECTION P-P

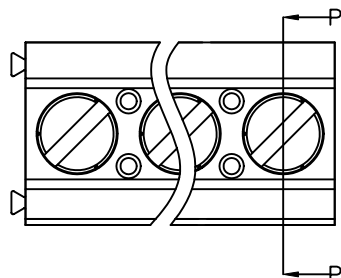


P.C.B LAYOUT

mat'l. code		surface ASME Y14.5	tolerance ASME Y14.5	projection [Symbol]	product family TERMINAL BLOCK	
ltr	ecn no	dr	date	title		
tolerances unless otherwise specified				MM [INCH]	TERMINAL BLOCK FIXED HORIZONTAL WIRE INLET	
angles		linear				
X°±1'		X.XX±0.1 [.004]		scale	dwg no	
dr		BEER FU	062509	FCI	sheet 2 of 3 size	
enr		BEER FU	062509		20020316	A4
chr		GARY HSIEH	062509		type	CUSTOMER Drawing
appd		JOSEPH HSIA	062509			
sheet index	revision sheet					



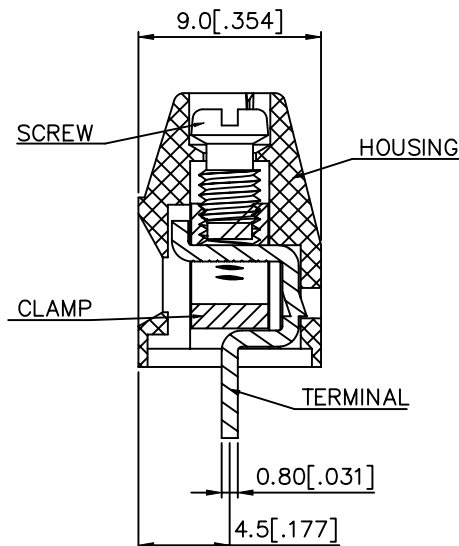
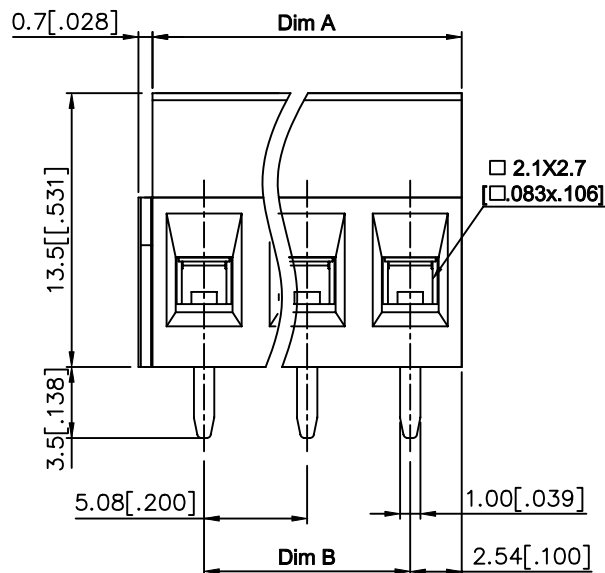
PRODUCT NUMBER	SERIES NAME	PITCH
20020316-HXXXXXXLF	21-508	5.08 mm



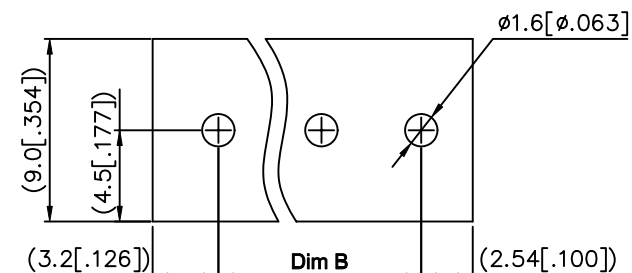
N=NUMBER OF POLES

Dim A	$N * 5.08 [.200]$
Dim B	$(N - 1) * 5.08 [.200]$

POLES	TOLERANCE
2p-6p	$\pm 0.15 [.006]$
7p-12p	$\pm 0.25 [.010]$
13p-16p	$\pm 0.35 [.014]$
17p-24p	$\pm 0.40 [.016]$



SECTION P-P



P.C.B LAYOUT

mat'l. code		surface ASME Y14.5	tolerance ASME Y14.5	projection 	product family TERMINAL BLOCK
ltr	ecn no	dr	date	title TERMINAL BLOCK FIXED HORIZONTAL WIRE INLET	
H				MM [INCH]	
				scale	
		dr	BEER FU 062509		dwg no 20020316
		enr	BEER FU 062509		sheet 3 of 3
		chr	GARY HSIEH 062509		A4
		appd	JOSEPH HSIA 062509		type CUSTOMER Drawing
sheet index	revision sheet				

X-ON Electronics

Largest Supplier of Electrical and Electronic Components

Click to view similar products for [Pluggable Terminal Blocks](#) category:

Click to view products by [FCT Electronics](#) manufacturer:

Other Similar products are found below :

[57.404.7553](#) [57.504.0053.7](#) [57.510.0053](#) [57.910.6153](#) [01.112.1453](#) [CTB932VE/6](#) [MC 1.5/ 6-ST-3.5 GY AU](#) [ET02015000J0G](#) [734-104](#) [734-302](#) [734-304](#) [8-141-P](#) [FKCT 2.5/ 3-ST KMGY](#) [860505](#) [860508](#) [860516](#) [860810](#) [861908](#) [GBPACX-12](#) [93.731.4953.0](#) [PV05-5,08-K](#) [PVP02-5,00](#) [PVP04-3,50](#) [PVS02-5,00](#) [1-1986160-3](#) [H-10](#) [1546228-5](#) [ELFH09150](#) [ELFH16150](#) [ELFP03110](#) [ELFT06250](#) [ELFT07250](#) [ELVF09400](#) [ELVP03100](#) [ELXH03100](#) [ELXH071G0E](#) [ELXP041G0](#) [ELXT046G0](#) [1700101](#) [1700410](#) [1700425](#) [1703176](#) [1705229](#) [1710175](#) [1714537](#) [1717806](#) [1719600](#) [1729386](#) [1734692](#) [1734795](#)