

PRODUCT NUMBER
20020332-XXXXXXXXLF

20020332- [ ] [ ] [ ] [ ] [ ] [ ] [ ] [ ] L F

PITCH  
G: 5.00 mm  
H: 5.08 mm

POLES  
02 : 2 POLES  
03 : 3 POLES  
08 : 8 POLES  
16 : 16 POLES

LF : DENOTED RoHS COMPATIBLE

1 : STANDARD PRODUCT  
W/ BOX PACKING

SCREW CODE

CODE	SCREW TYPE	AVAILABILITY
A	-/+	ON REQUEST ONLY
B	-	STANDARD

PROPERTY TABLE			
FCI SERIES NAME		36-500	36-508
PITCH (mm)		5.00	5.08
VOLTAGE RATING (VAC)		300	300
CURRENT RATING (A)		10	10
APPLICABLE WIRE RANGE (AWG)	1-WIRE	12~24	12~24
	2-WIRE	18	18
WIRE CROSS SECTION (mm <sup>2</sup> )	SOLID	1-WIRE	2.5
		2-WIRE	1.0
	STRANDED	1-WIRE	1.5
		2-WIRE	0.75
OPENING CONTACT HOUSING(mm <sup>2</sup> )		2.5x2.5	2.5x2.5
WIRE STRIP LENGTH(mm)		6~7	6~7
TORQUE +/-10% (N-m/Lb-in)		0.4/3.5	0.4/3.5
SCREW		M2.5x0.4	M2.5x0.4
WITHSTANDING VOLTAGE (kV)		1.6	1.6
OPERATING TEMP. (°C)		-40~+115	-40~+115
SOLDERING TEMP. (°C)		250±10 (5 sec.)	250±10 (5 sec.)
POLES AVAILABLE		02~24	02~24
SAFETY CERTIFICATE		PENDING	PENDING

HOUSING CODE

CODE	COLOR	AVAILABILITY
1	GREEN(RAL 6018/T)	STANDARD
2	BLACK	ON REQUEST ONLY
3	GREY(RAL 7004/P)	ON REQUEST ONLY
4	BLUE(RAL 5015/A)	ON REQUEST ONLY

NOTES:

1. MATERIAL:

1-1 HOUSING: THERMOPLASTIC RESIN, UL94V-0 RATED.

1-2 SCREW: STEEL, ZINC PLATED.

1-3 CLAMP: BRASS, NICKEL PLATED (PITCH: 5.0);  
STEEL, ZINC PLATED (PITCH: 5.08)

1-4 TERMINAL: COPPER ALLOY, TIN PLATED.

2. PRODUCTION SPECIFICATION REFER TO FCI GS-12-625.

3. PACKAGING SPECIFICATION REFER TO FCI GS-14-1394.

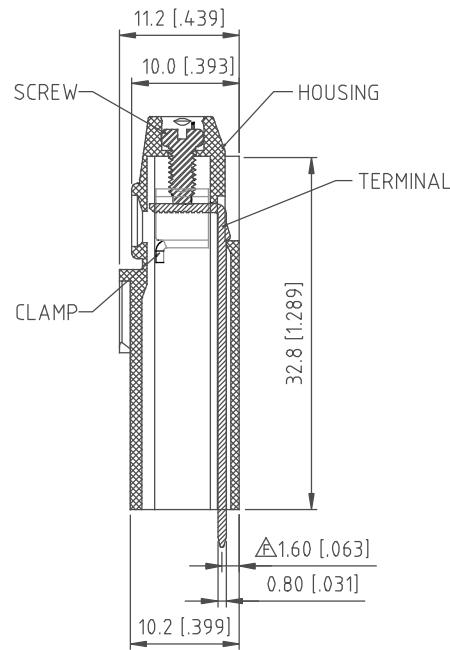
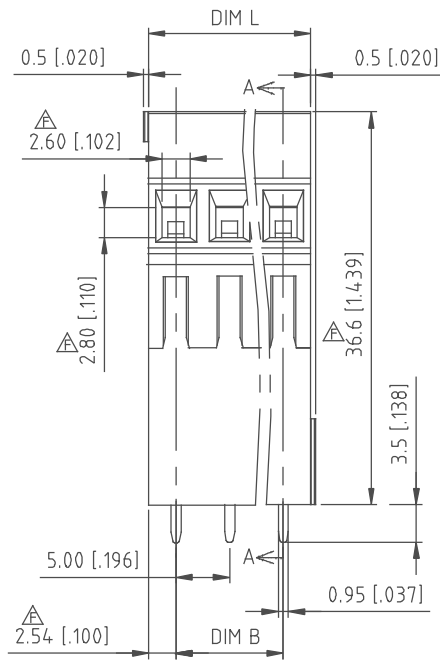
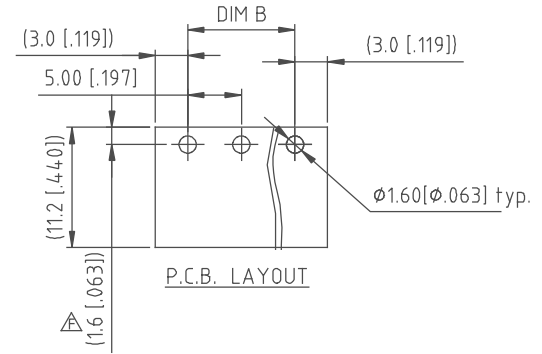
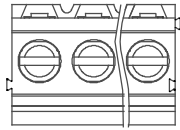
4. FCI, SAFETY CERTIFICATE LOGO AND SERIES NAME TO BE SHOWN ON  
PRODUCT SURFACE.

5. THE PRODUCTS WHERE THE PART NUMBER END IN "LF" MEET THE EUROPEAN  
UNION DIRECTIVE AND OTHER COUNTRY REGULATIONS AS DESCRIBED IN  
GS-22-008.

6. RECOMMENDED SOLDERING PROCESS BY WAVE SOLDER.

mat'l. code				surface	tolerance	projection	product family
				ASME Y14.5	ASME Y14.5		TERMINAL BLOCK
ltr	ecn no	dr	date	tolerances unless otherwise specified			title
A	T10-0043	WL	030310	angles	X.±0.5	MM	TERMINAL BLOCK FIXED HORIZONTAL
B	T10-0059	WL	050710	pitch	X.X±0.3	[INCH]	
C	T10-0172	WL	102010	X'±1'	X.XX±0.1	scale	
D	T10-0177	WL	110410	dr	WENDY CHEN	020210	dwg no <span style="float: right;">sheet 1 of 2 size</span> 20020332 <span style="float: right;">A4</span>
E	T10-0187	WL	121410	enrg	JASON HSU	020210	
F	T-012057	LS	082912	chr	GARY HSIEH	020210	
				appd	JOSEPH HSIA	020210	
sheet index	revision sheet	F 1	F 2	F 3			type CUSTOMER Drawing

PRODUCT NUMBER	SERIES NAME	PITCH
20020332-GXXXXXXLF	36-500	5.00 mm



Dimension L&B

DIM L	$N \times 5.0 [.197]$
DIM B	$(N-1) \times 5.0 [.197]$

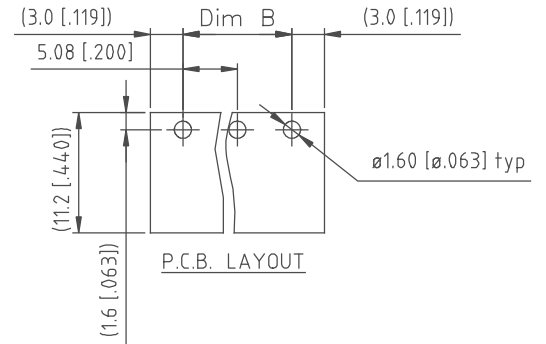
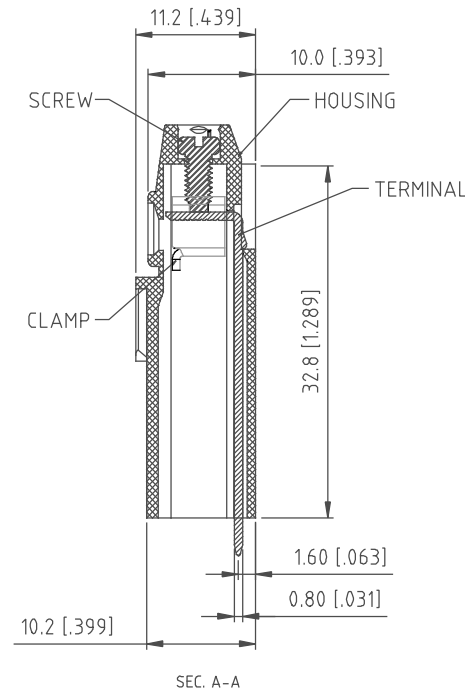
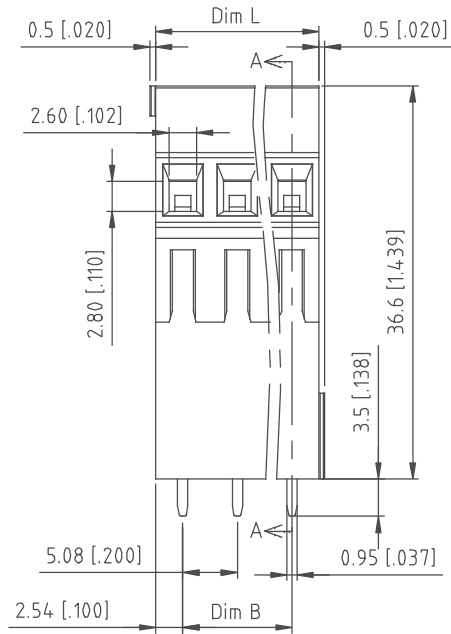
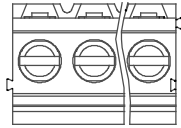
N=Number of poles

Poles	L&B Tolerance
2P-4P	$\pm 0.15 [.006]$
5P-8P	$\pm 0.25 [.010]$
16P	$\pm 0.35 [.014]$

SEC. A-A

mat'l. code	surface ASME Y14.5 ✓	tolerance ASME Y14.5	projection	product family TERMINAL BLOCK
ltr	ecn no	dr	date	title
F				TERMINAL BLOCK FIXED HORIZONTAL
		angles	X.±0.5	scale
		linear	X.X±0.3	MM
		X'±1'	X.XX±0.1	[INCH]
		dr	WENDY CHEN 020210	scale
		enr	JASON HSU 020210	FCI
		chr	GARY HSIEH 020210	dwg no
		appd	JOSEPH HSIA 020210	20020332
sheet index	revision sheet			sheet 2 of size A4
				type CUSTOMER Drawing

PRODUCT NUMBER	SERIES NAME	PITCH
20020332-HXXXXXXLF	36-508	5.08 mm



Dimension L&B

DIM L	N×5.08[.200]
DIM B	(N-1)×5.08[.200]

N=Number of contacts

Poles	L&B Tolerance
2P-4P	±0.15[.006]
5P-8P	±0.25[.010]
16P	±0.35[.014]

surface		ASME Y14.5 ✓	tolerance	ASME Y14.5	projection	product family	TERMINAL BLOCK
litr		ecn no	dr	date	tolerances unless otherwise specified	title	
F					angles	TERMINAL BLOCK	
					X.±0.5	FIXED HORIZONTAL	
					X.X±0.3	scale	
					X'±1°	MM	
					linear	[INCH]	
					X.XX±0.1	scale	
					dr	WENDY CHEN	020210
					enr	JASON HSU	020210
					chr	GARY HSIEH	020210
					appd	JOSEPH HSIA	020210
sheet		revision				type	
index		sheet				CUSTOMER Drawing	



dwg no 20020332 sheet 3 of size A4

## X-ON Electronics

Largest Supplier of Electrical and Electronic Components

*Click to view similar products for [Pluggable Terminal Blocks](#) category:*

*Click to view products by [FCT Electronics](#) manufacturer:*

Other Similar products are found below :

[57.404.7553](#) [57.504.0053.7](#) [57.510.0053](#) [57.910.6153](#) [01.112.1453](#) [CTB932VE/6](#) [MC 1.5/ 6-ST-3.5 GY AU](#) [ET02015000J0G](#) [734-104](#) [734-302](#) [734-304](#) [8-141-P](#) [FKCT 2.5/ 3-ST KMGY](#) [860505](#) [860508](#) [860516](#) [860810](#) [861908](#) [GBPACX-12](#) [93.731.4953.0](#) [PV05-5,08-K](#) [PVP02-5,00](#) [PVP04-3,50](#) [PVS02-5,00](#) [1-1986160-3](#) [H-10](#) [1546228-5](#) [ELFH09150](#) [ELFH16150](#) [ELFP03110](#) [ELFT06250](#) [ELFT07250](#) [ELVF09400](#) [ELVP03100](#) [ELXH03100](#) [ELXH071G0E](#) [ELXP041G0](#) [ELXT046G0](#) [1700101](#) [1700410](#) [1700425](#) [1703176](#) [1705229](#) [1710175](#) [1714537](#) [1717806](#) [1719600](#) [1729386](#) [1734692](#) [1734795](#)