



PRODUCT NUMBER  
20020620-MXXXXXXLF

20020620-□ □ □ □ A 0 □ L F

PITCH  
M: 7.62 mm

POLES  
02: 2 POLES  
03: 3 POLES  
04: 4 POLES  
16: 16 POLES

LF : DENOTED RoHS COMPATIBLE

1 : STANDARD PRODUCT  
W/ BOX PACKING

HOUSING CODE

PROPERTY TABLE	
FCI SERIES NAME	07-762
PITCH (mm)	7.62
VOLTAGE RATING (VAC)	300
CURRENT RATING (A)	32
WITHSTANDING VOLTAGE (kV)	1.6
OPERATING TEMP. (°C)	-40~+115
SOLDERING TEMP. (°C)	250±10 (5 sec.)
POLES AVAILABLE	02~16
SAFETY CERTIFICATE	

CODE	COLOR	AVAILABILITY
1	GREEN(RAL 6018/T)	STANDARD
2	BLACK	ON REQUEST ONLY
3	GREY(RAL 7004/P)	ON REQUEST ONLY
4	BLUE(RAL 5015/A)	ON REQUEST ONLY

NOTES:

MATERIALS

- 1-1 HOUSING: THERMALPLASTIC RESIN, UL 94V-0 RATED.
- 1-2 TERMINAL: COPPER ALLOY, TIN PLATED.

- 2. PRODUCTION SPECIFICATION REFER TO FCI GS-12-625.
- 3. BOXED PACKAGING.  
DETAILED PRODUCT PACKING SPECIFICATION REFER TO FCI GS-14-1394.
- 4. FCI, SAFETY CERTIFICATE LOGO AND SERIES NAME TO BE SHOWN ON PRODUCT SURFACE.
- 5. THE PRODUCTS WHERE THE PART NUMBER END IN "LF" MEET THE EUROPEAN UNION DIRECTIVE AND OTHER COUNTRY REGULATIONS AS DESCRIBED IN GS-22-008.
- 6. RECOMENDED SOLDERING PROCESS BY WAVE SOLDER.

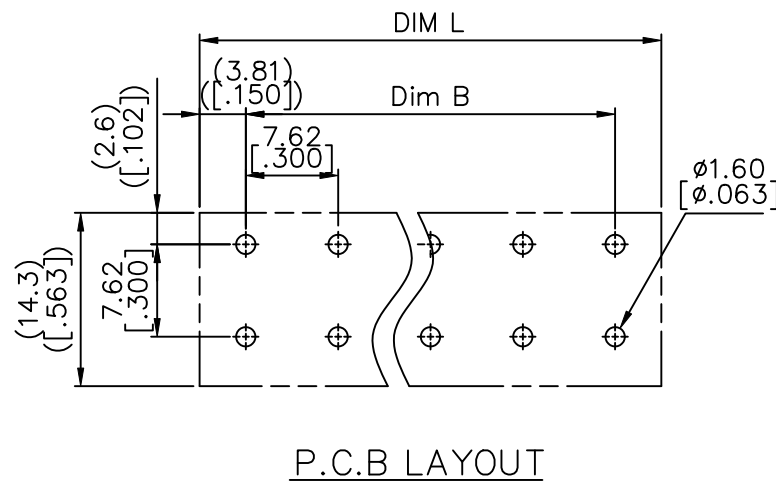
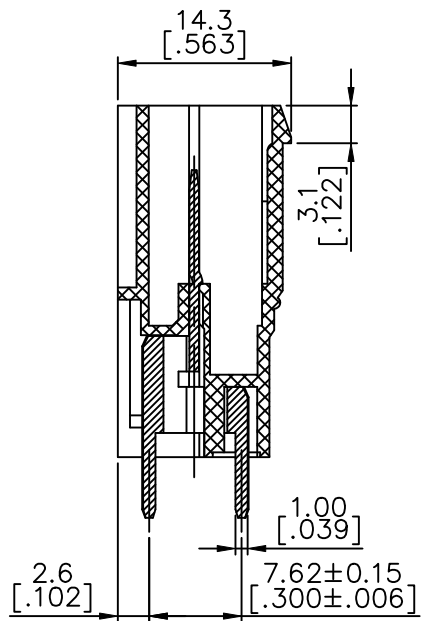
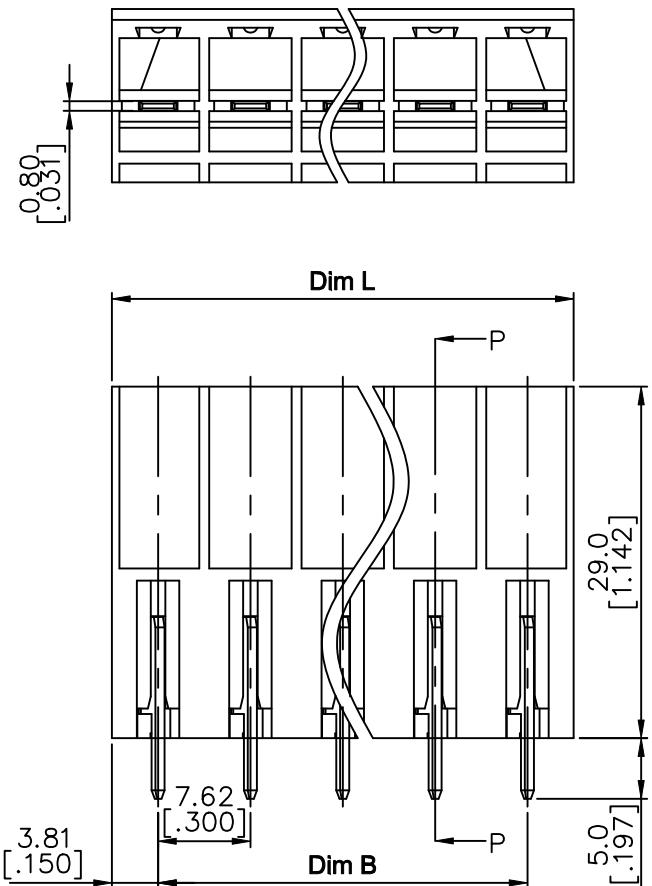
mat'l. code				surface ASME Y14.5		tolerance ASME Y14.5		projection		product family TERMINAL BLOCK	
tolerances unless otherwise specified				X.±0.5[.020]		X.X±0.3[.012]		MM INCH		title TERMINAL BLOCK PLUGGABLE SOCKET, STRAIGHT	
angles				X°±1'		X.XX±0.1[.004]		scale		dwg no 20020620 sheet 1 of 2 size A4	
ltr				ecn no		dr		date		FCI logo	
A				0609-0203		BF		062509		type CUSTOMER Drawing	
B				T09-1148		BF		111709			
C				T10-0042		WL		030310			
D				T10-0159		WL		100410			
E				T10-0187		WL		121410			
F				T-004746		WL		072211			
G				T-005754		WL		090611			
sheet				revision		G		G			
index				sheet		1		2			



PRODUCT NUMBER	SERIES NAME	PITCH
20020620-MXXXXXXLF	07-762	7.62 mm

N = Number of poles  
 Dim L = N x 7.62 [.300]  
 Dim B = (N-1) x 7.62 [.300]

Poles	Tol.	Dim L	Dim B
2-5p		±0.20 [.008]	
6-10p		±0.25 [.010]	
11-13p		±0.35 [.014]	
14-16p		±0.40 [.016]	



SECTION P-P

P.C.B LAYOUT

mat'l. code		surface ASME Y14.5	tolerance ASME Y14.5	projection MM INCH	product family TERMINAL BLOCK
ltr	ecn no	dr	date	tolerances unless otherwise specified X. ±0.5 [.020] X.X ±0.3 [.012] X.XX ±0.1 [.004]	title TERMINAL BLOCK PLUGABLE, SOCKET, POWER, VERTICAL
g					
sheet index		revision sheet		scale	dwg no 20020620 sheet 2 of 2 size A4
		dr	BEER FU 062509	FCI logo	type CUSTOMER Drawing
		enr	BEER FU 062509		
		chr	GARY HSIEH 062509		
		appd	JOSEPH HSIA 062509		

## X-ON Electronics

Largest Supplier of Electrical and Electronic Components

*Click to view similar products for [Headers & Wire Housings](#) category:*

*Click to view products by [FCT Electronics](#) manufacturer:*

Other Similar products are found below :

[95000-104TRLF](#) [10135584-644402LF](#) [DF62W-EP2022PCA](#) [95000-106TRLF](#) [DF62W-2022SCA](#) [DF62W-EP2022PC](#) [2203348](#) [DF62W-2022SC](#) [1084018](#) [1029039](#) [1084017](#) [802-10-012-10-002000](#) [1112640](#) [1112639](#) [891-007-9SS-BST1T](#) [000-34000](#) [0008550134](#) [0009482033](#) [0009507031](#) [57102-F02-18ULF](#) [57102-S06-03LF](#) [57202-S52-04LF](#) [PCN6-15S-2.5E](#) [0039019024](#) [58102-G61-06LF](#) [582553-1](#) [0009485154](#) [0009508121](#) [0022285053](#) [0050291907](#) [018731A](#) [LY20-4P-DT1-P1E-BR](#) [02.125.8002.8](#) [60101931](#) [60598-1 \(Cut Strip\)](#) [M1625-3R/100](#) [61062-3](#) [61082-181009](#) [CSU011177004](#) [636-1427](#) [638009-1](#) [641938-9](#) [641991-4](#) [644168-1](#) [644827-2](#) [647662-1](#) [65039-019ELF](#) [65692-001LF](#) [65781-018](#) [65781-047](#)