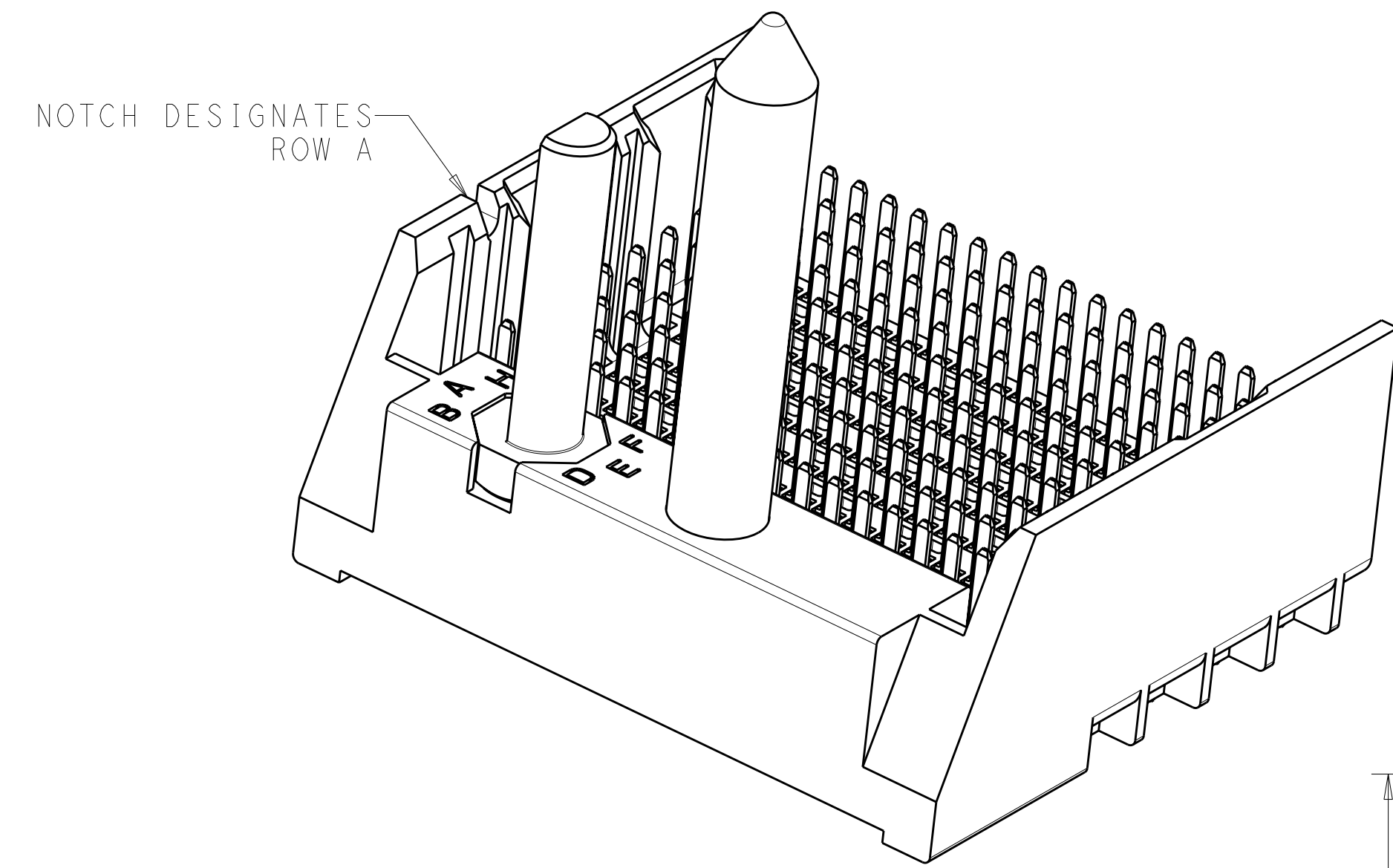
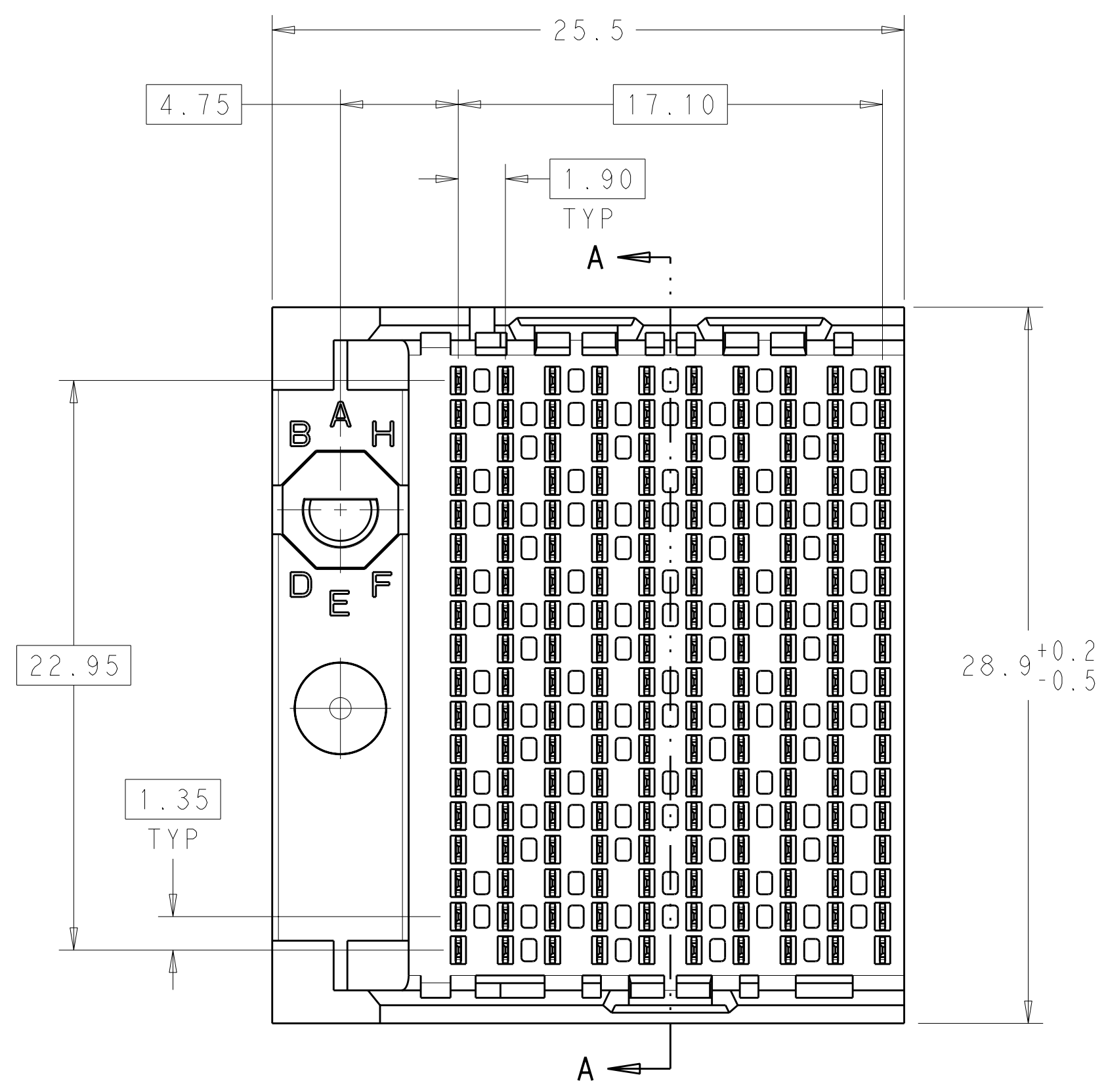
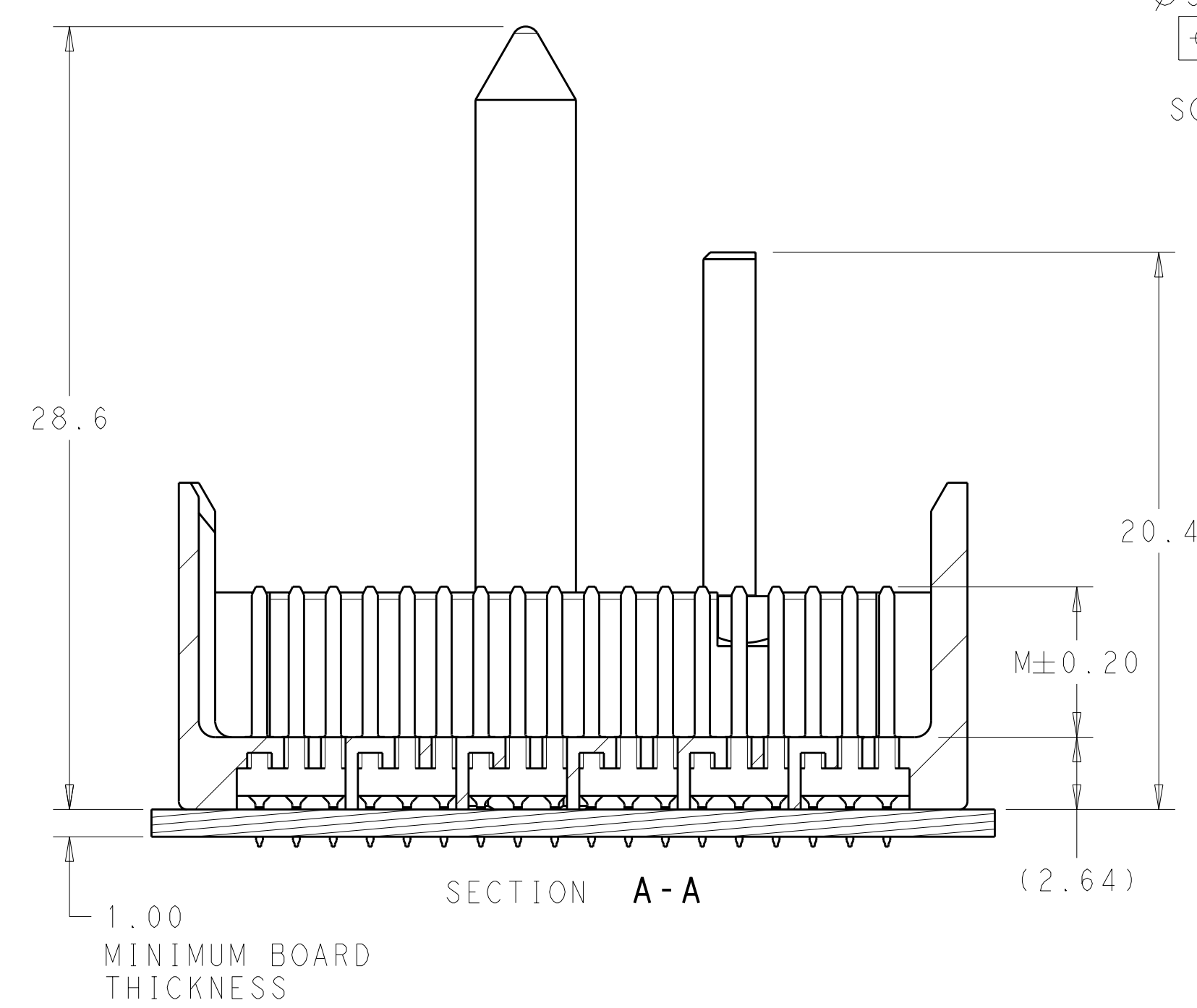
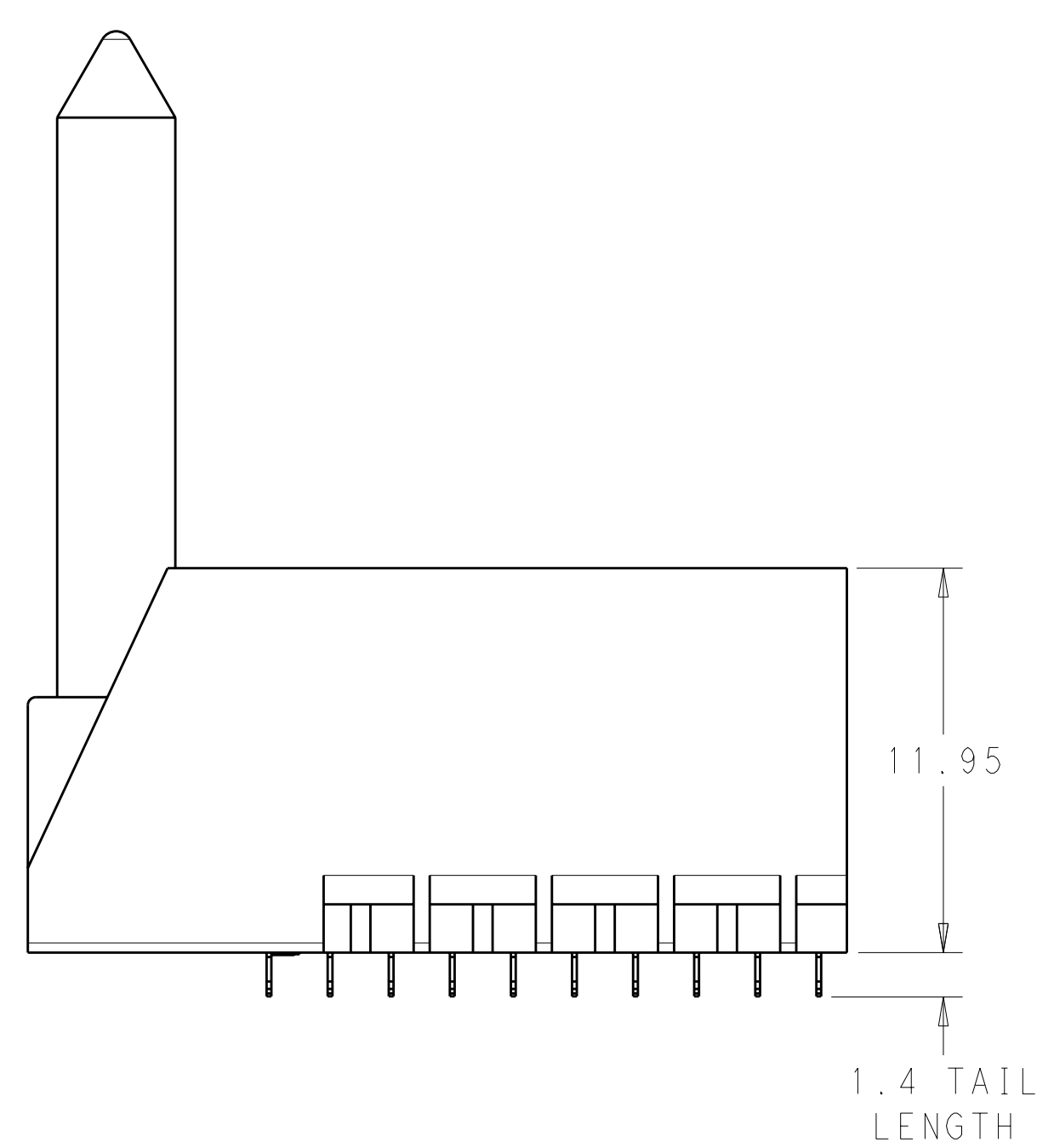
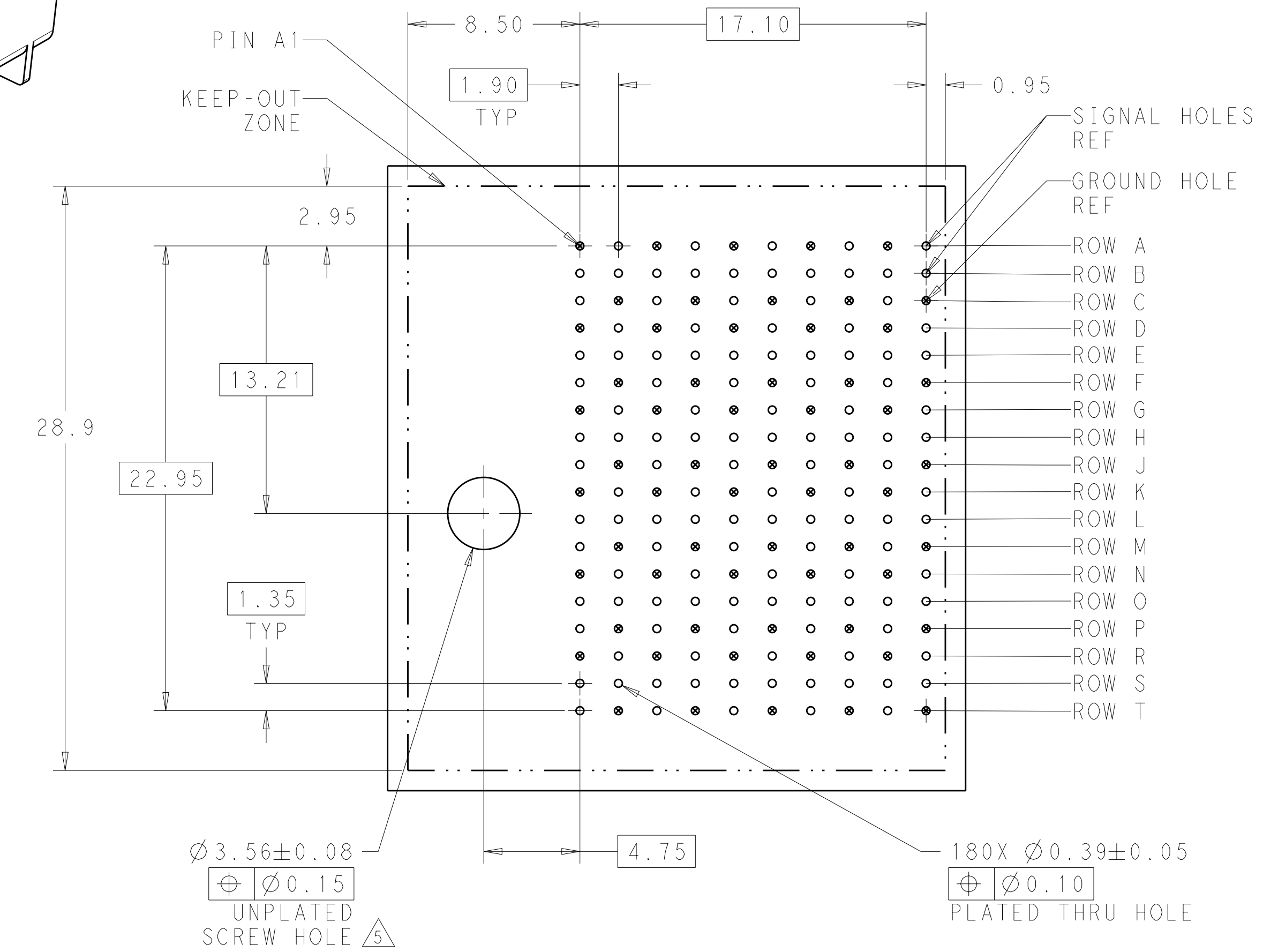


LOC	DIST	REV	DATE	BY	APPD
AD	00	B	03JAN2012	KH	DY



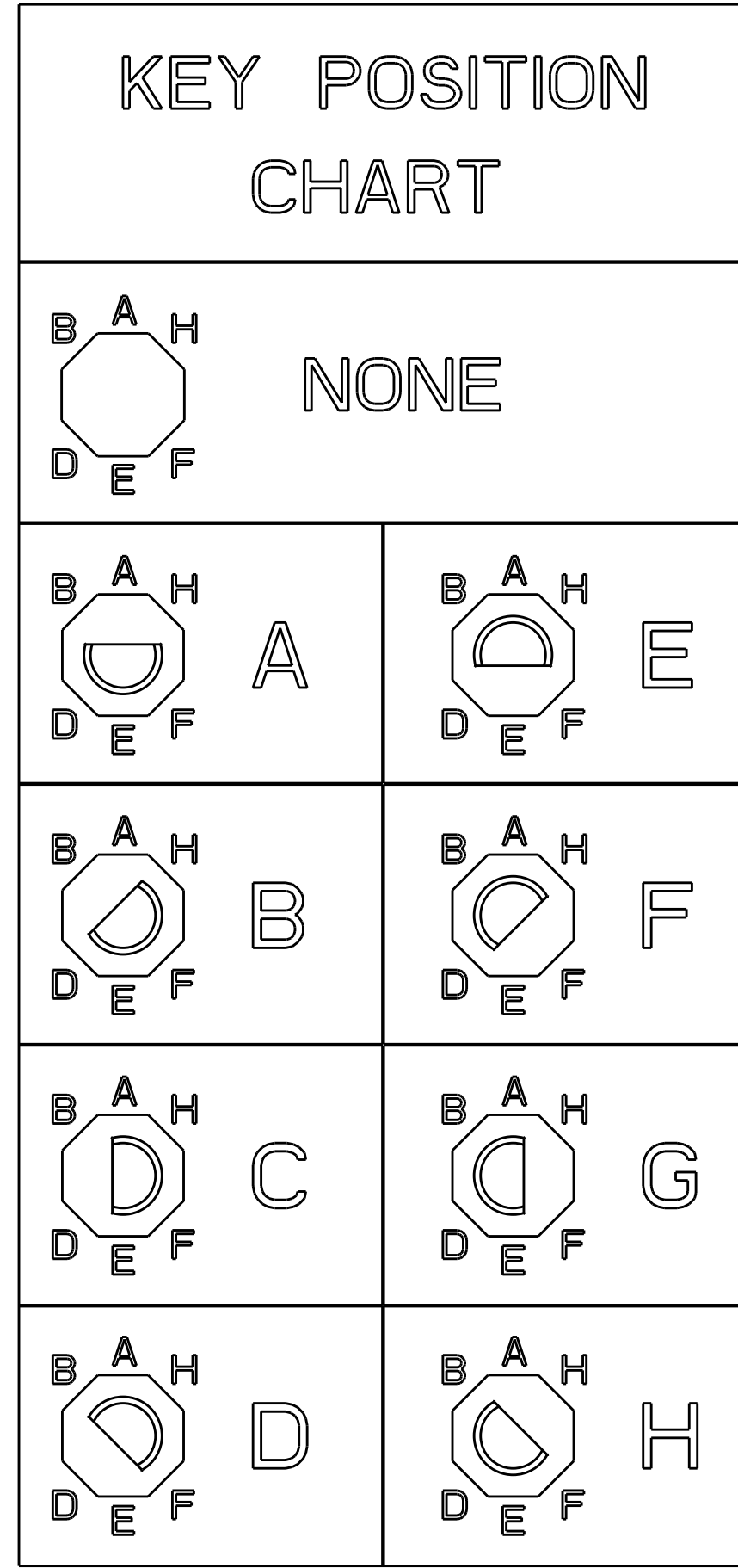
- 1 MATERIAL:
HOUSING: LCP, GLASS FILLED, UL94V-0.
TERMINALS: HIGH PERFORMANCE COPPER ALLOY.
- 2 FINISH:
30µ" MIN GOLD IN CONTACT AREA. SELECTIVE TIN ON PCB TAILS, NICKEL OVERALL.
- 3 FINISH:
30µ" MIN GOLD IN CONTACT AREA. SELECTIVE TIN-LEAD ON PCB TAILS, NICKEL OVERALL.
- 4. SCREWS PACKAGED IN END OF PACKAGING TUBE.
- 5 FOR GROUNDED GUIDE PIN USE Ø3.56±0.08 PTH, Ø3.66 DRILL, AND Ø6.5 PAD.
- 6. KEYING PIN SHOWN IN POSITION A, SEE KEYING CHART ON SHEET 2 FOR OTHER POSITIONS.



THIS DRAWING IS A CONTROLLED DOCUMENT.		DWN J. K. SHOBER 25JAN2011	TE Connectivity
DIMENSIONS: mm		CHK J. EARY 25JAN2011	
TOLERANCES UNLESS OTHERWISE SPECIFIED:		APVD J. EARY 25JAN2011	NAME
Ø	9 PLC ±	PRODUCT SPEC	IMPACT, 6 PAIR, 10 COLUMN, HEADER
∅	1 PLC ±0.25	APPLICATION SPEC	LEFT GUIDED, OPEN END WALL
∅	2 PLC ±0.13	SIZE CAGE CODE DRAWING NO	SIGNAL MODULE, 0.39 PTH
∅	3 PLC ±	RESTRICTED TO	
∅	4 PLC ±	WEIGHT	A1100779C=2007873
∅	5 PLC ±	CUSTOMER DRAWING	SCALE 5:1 SHEET 1 OF 2 REV B
∅	6 PLC ±		
∅	7 PLC ±		
∅	8 PLC ±		
∅	9 PLC ±		
∅	10 PLC ±		
∅	11 PLC ±		
∅	12 PLC ±		
∅	13 PLC ±		
∅	14 PLC ±		
∅	15 PLC ±		
∅	16 PLC ±		
∅	17 PLC ±		
∅	18 PLC ±		
∅	19 PLC ±		
∅	20 PLC ±		
∅	21 PLC ±		
∅	22 PLC ±		
∅	23 PLC ±		
∅	24 PLC ±		
∅	25 PLC ±		
∅	26 PLC ±		
∅	27 PLC ±		
∅	28 PLC ±		
∅	29 PLC ±		
∅	30 PLC ±		
∅	31 PLC ±		
∅	32 PLC ±		
∅	33 PLC ±		
∅	34 PLC ±		
∅	35 PLC ±		
∅	36 PLC ±		
∅	37 PLC ±		
∅	38 PLC ±		
∅	39 PLC ±		
∅	40 PLC ±		
∅	41 PLC ±		
∅	42 PLC ±		
∅	43 PLC ±		
∅	44 PLC ±		
∅	45 PLC ±		
∅	46 PLC ±		
∅	47 PLC ±		
∅	48 PLC ±		
∅	49 PLC ±		
∅	50 PLC ±		
∅	51 PLC ±		
∅	52 PLC ±		
∅	53 PLC ±		
∅	54 PLC ±		
∅	55 PLC ±		
∅	56 PLC ±		
∅	57 PLC ±		
∅	58 PLC ±		
∅	59 PLC ±		
∅	60 PLC ±		
∅	61 PLC ±		
∅	62 PLC ±		
∅	63 PLC ±		
∅	64 PLC ±		
∅	65 PLC ±		
∅	66 PLC ±		
∅	67 PLC ±		
∅	68 PLC ±		
∅	69 PLC ±		
∅	70 PLC ±		
∅	71 PLC ±		
∅	72 PLC ±		
∅	73 PLC ±		
∅	74 PLC ±		
∅	75 PLC ±		
∅	76 PLC ±		
∅	77 PLC ±		
∅	78 PLC ±		
∅	79 PLC ±		
∅	80 PLC ±		
∅	81 PLC ±		
∅	82 PLC ±		
∅	83 PLC ±		
∅	84 PLC ±		
∅	85 PLC ±		
∅	86 PLC ±		
∅	87 PLC ±		
∅	88 PLC ±		
∅	89 PLC ±		
∅	90 PLC ±		
∅	91 PLC ±		
∅	92 PLC ±		
∅	93 PLC ±		
∅	94 PLC ±		
∅	95 PLC ±		
∅	96 PLC ±		
∅	97 PLC ±		
∅	98 PLC ±		
∅	99 PLC ±		
∅	100 PLC ±		

REVISIONS			
LOC	DIST	DESCRIPTION	DATE
AD	00	SEE SHEET 1	

3	H	5.5	8-2007873-6
3	H	4.9	8-2007873-5
3	H	4.5	8-2007873-4
2	H	5.5	8-2007873-3
2	H	4.9	8-2007873-2
2	H	4.5	8-2007873-1
3	G	5.5	7-2007873-6
3	G	4.9	7-2007873-5
3	G	4.5	7-2007873-4
2	G	5.5	7-2007873-3
2	G	4.9	7-2007873-2
2	G	4.5	7-2007873-1
3	F	5.5	6-2007873-6
3	F	4.9	6-2007873-5
3	F	4.5	6-2007873-4
2	F	5.5	6-2007873-3
2	F	4.9	6-2007873-2
2	F	4.5	6-2007873-1
3	E	5.5	5-2007873-6
3	E	4.9	5-2007873-5
3	E	4.5	5-2007873-4
2	E	5.5	5-2007873-3
2	E	4.9	5-2007873-2
2	E	4.5	5-2007873-1
3	D	5.5	4-2007873-6
3	D	4.9	4-2007873-5
3	D	4.5	4-2007873-4
2	D	5.5	4-2007873-3
2	D	4.9	4-2007873-2
2	D	4.5	4-2007873-1
3	C	5.5	3-2007873-6
3	C	4.9	3-2007873-5
3	C	4.5	3-2007873-4
2	C	5.5	3-2007873-3
2	C	4.9	3-2007873-2
2	C	4.5	3-2007873-1
3	B	5.5	2-2007873-6
3	B	4.9	2-2007873-5
3	B	4.5	2-2007873-4
2	B	5.5	2-2007873-3
2	B	4.9	2-2007873-2
2	B	4.5	2-2007873-1
3	A	5.5	1-2007873-6
3	A	4.9	1-2007873-5
3	A	4.5	1-2007873-4
2	A	5.5	1-2007873-3
2	A	4.9	1-2007873-2
2	A	4.5	1-2007873-1
3	-	5.5	2007873-6
3	-	4.9	2007873-5
3	-	4.5	2007873-4
2	-	5.5	2007873-3
2	-	4.9	2007873-2
2	-	4.5	2007873-1
FINISH	KEY POSITION	DIM M	PART NUMBER



REFER TO WWW.TE.COM
FOR PRODUCT AVAILABILITY

THIS DRAWING IS A CONTROLLED DOCUMENT.		DWN J. K. SHOBER 25JAN2011 CHK J. EARY 25JAN2011 APVD J. EARY 25JAN2011	TE Connectivity
DIMENSIONS: mm	TOLERANCES UNLESS OTHERWISE SPECIFIED: 9 PLC ±0.25 5 PLC ±0.13 4 PLC ± ANGLES ± FINISH SEE TABLE	PRODUCT SPEC APPLICATION SPEC WEIGHT CUSTOMER DRAWING	NAME IMPACT, 6 PAIR, 10 COLUMN, HEADER LEFT GUIDED, OPEN END WALL SIGNAL MODULE, 0.39 PTH SIZE CAGE CODE DRAWING NO. RESTRICTED TO A100779C=2007873 SCALE 5:1 SHEET 2 OF 2 REV B

X-ON Electronics

Largest Supplier of Electrical and Electronic Components

Click to view similar products for [High Speed/Modular Connectors](#) category:

Click to view products by [TE Connectivity](#) manufacturer:

Other Similar products are found below :

[2332816-1](#) [89006-1137LF](#) [650827-1](#) [65762-001LF](#) [73474-201LF](#) [74040-1346](#) [74075-0267](#) [88911-201LF](#) [9514M0C20D](#) [1410191-1](#)
[1410337-1](#) [1410368-3](#) [1410964-2](#) [1410326-3](#) [1410367-3](#) [1410971-4](#) [1467833-1](#) [2000877-1](#) [2000878-1](#) [2041314-1](#) [2065387-1](#) [2187307-1](#)
[2187462-1](#) [2226278-6](#) [KA81-07](#) [91290-101LF](#) [1934290-1](#) [2000875-1](#) [2065917-1](#) [2102736-2](#) [FSR-40](#) [2169868-2](#) [2226279-2](#) [22354-8](#) [437-](#)
[5040-000](#) [5-1393565-0](#) [532449-3](#) [532803-2](#) [34745-0001](#) [0740618502](#) [0760151403](#) [0760551105](#) [0760551608](#) [0761451128](#) [0761651124](#)
[0761655108](#) [0761659807](#) [0769853208](#) [0736440217](#) [0758324203](#)