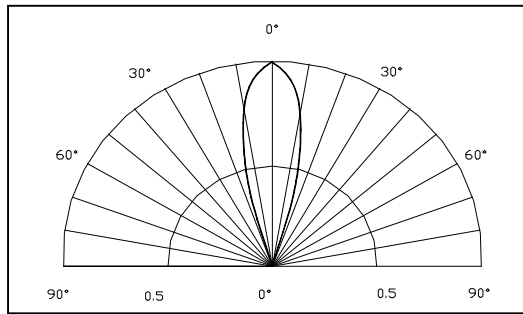


Screw Base LED Series

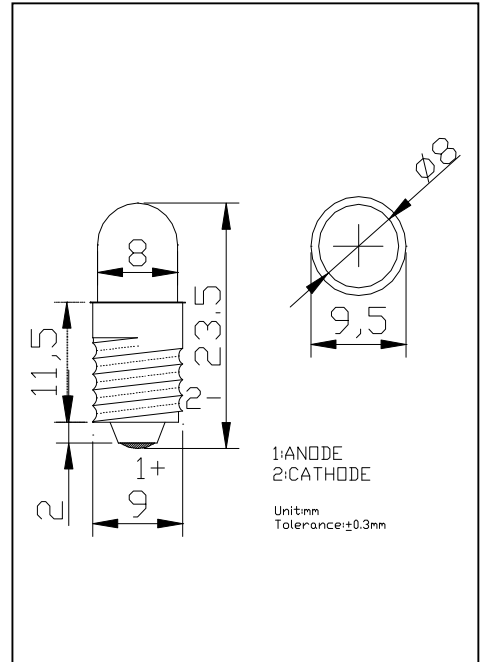
■ Characters

AC or DC Driver Viewing angle 30 deg



■ Package Outline

(unit:mm)



■ Absolute Maximum Rating (Ta=25°C)

Item	Symbol	Value	Unit
DC Forward Current	I_F	20	mA
Pulse Forward Current*	I_{FP}	70*1	mA
Power Dissipation	P_D	90	mW
Operating Temperature	T_{opr}	-10~+50	°C
Storage Temperature	T_{stg}	-20~+70	°C

*1 Pulse width Max.10ms Duty ratio max 1/10

■ Electrical And Optical Characteristics (Ta=25°C)

Part Number ^{*2}	Emitting Color	Lens Type	Forward Voltage AC/DC VF(V)		Chromaticity Coordinates ^{*4}				Luminous Intensity IV(mcd) ^{*3}		Reverse Current IR(uA)
			AC	DC	X		Y		Typ.	Max.	
					Min.	Max.	Min.	Max.			
Working Current:IF=20mA											
OBDB-W5DK8B31F	White	Water Clear	4-24	4-24	0.26	0.29	0.25	0.28	18000	25000	<10uA
OBDB-M5DK8B31F	Warm white	Water Clear	4-24	4-24	0.41	0.49	0.37	0.45	9000	12000	<10uA
OBDB-K5DK8B31F	Pink	Water Clear	4-24	4-24	0.34	0.44	0.15	0.25	2100	3000	<10uA

■ Electrical And Optical Characteristics (Ta=25°C)

Part Number ^{*2}	Emitting Color	Lens Type	Forward Voltage AC/DC VF(V)		Dominant Wavelength wd(nm) ^{*5}		Luminous Intensity IV(mcd) ^{*3}		Reverse Current IR(uA)
			AC	DC	Typ.	Max.	Typ.	Max.	
OBDB-B5SA8B31F	Blue	Water Clear	4-24	4-24	470	475	5200	8000	<10
OBDB-G5DA8B31F	Pure Green	Water Clear	4-24	4-24	525	530	20000	25000	<10
OBDB-Y5CA8B31F	Yellow	Water Clear	4-24	4-24	590	595	13000	15000	<10
OBDB-R5CA8B31F	Red	Water Clear	4-24	4-24	625	630	13000	15000	<10

*2 See table for Luminous Intensity Ranks

*3 Axial Direction (Luminous Intensity)

*4 Please refer to CIE 1931 chromaticity diagram.

*5 Devices are sorted by 5nm wavelength ranges

X-ON Electronics

Largest Supplier of Electrical and Electronic Components

Click to view similar products for [LED Panel Mount Indicators](#) category:

Click to view products by [Optosupply](#) manufacturer:

Other Similar products are found below :

[607-1312-310F](#) [607-3232-140F](#) [6091M1-24V](#) [6091M5-24V](#) [6091M7-24V](#) [821-0331-503](#) [FL2870C8R](#) [FL2950WL7B](#) [FL589WL8R](#)
[Q6P3BXXB12E](#) [H8630FBBA3](#) [MPC5ADW6.0](#) [DX1091GN](#) [NL177WL3G](#) [NL276C3G](#) [NL2950BWL3G](#) [NL2950CWL2R](#) [NL589WL2R](#)
[NL67C3G](#) [NL67C3R](#) [2191L1-12V](#) [PB22SIOL0RG](#) [PB22SPPM41R](#) [PB22SPPM61R](#) [LE177C5B](#) [LH1048BSWL3702](#) [LH1048BWL3702](#)
[LH382A](#) [LHM62B](#) [SSI-LXH387USBD-150](#) [SSI-LXH9ZIC40587](#) [SSP-LXS110818BA](#) [FL2950BWL7R](#) [FL2950WL7R](#) [FL2951WL8G](#)
[FL2951WL8R](#) [FL589C7R](#) [FL67C7R](#) [FL67WL8G](#) [2191QU7-24V](#) [2191U1-12V](#) [2191U5-12V](#) [2191U5-6V](#) [2191U7-12V](#) [249-4167-3734-504F](#) [Q6P5BXXG02E](#) [3990A7](#) [5110F3-12V](#) [MPC5BCW18.0](#) [556-1237-801F](#)