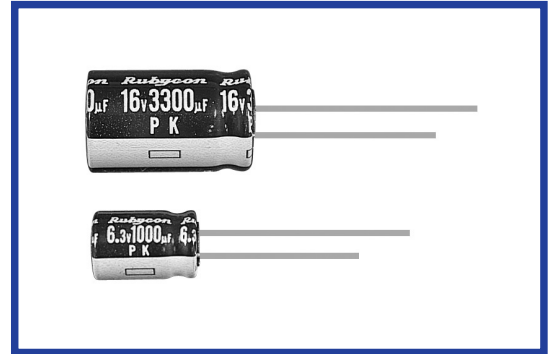


**PK SERIES**

85°C Standard

◆FEATURES

- Load life : 85°C 2000 hours.
- RoHS compliance.



◆SPECIFICATIONS

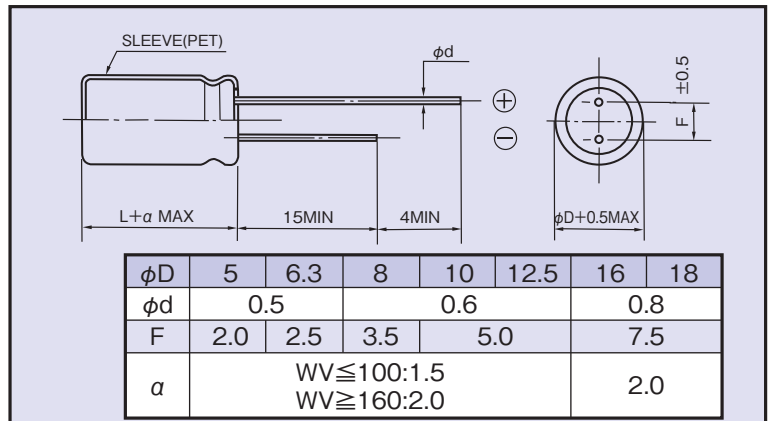
Items	Characteristics												
Category Temperature Range	-40~+85°C	-25~+85°C											
Rated Voltage Range	6.3~400V.DC	450V.DC											
Capacitance Tolerance	±20%(20°C, 120Hz)												
Leakage Current(MAX)	6.3~100V.DC	160~450V.DC											
	I=0.01CV or 3µA whichever is greater. (After 2 minutes application of rated voltage)	CV≤1000	CV>1000										
		I=0.1CV+40µA (1minute) I=0.03CV+15µA (5minutes)	I=0.04CV+100µA (1minute) I=0.02CV+25µA (5minutes)										
	I=Leakage Current(µA)	C=Capacitance(µF)      V=Rated Voltage(V)											
Dissipation Factor(MAX) (tanδ)	Rated Voltage (V)    6.3   10   16   25   35   50   63   100   160   200   250   350   400   450    (20°C, 120Hz)												
	tanδ    0.28 0.24 0.20 0.16 0.14 0.12 0.10 0.10 0.20 0.20 0.20 0.25 0.25 0.25												
When capacitance is over 1000µF, tanδ shall be added 0.02 to the listed value with increase of every 1000µF.													
Endurance	After applying rated voltage with rated ripple current for 2000 hours at 85°C, the capacitors shall meet the following requirements.												
	Capacitance Change	Within ±25% of the initial value.											
	Dissipation Factor	Not more than 200% of the specified value.											
	Leakage Current	Not more than the specified value.											
Low Temperature Stability Impedance Ratio(MAX)	Rated Voltage (V)    6.3   10   16   25   35   50   63   100   160   200   250   350   400   450    (120Hz)												
	Z(-25°C)/Z(20°C)    5   4   3   2   2   2   2   2   3   3   4   5   5   7												
	Z(-40°C)/Z(20°C)    12   10   8   5   4   3   3   3   4   4   8   8   10   -												

◆MULTIPLIER FOR RIPPLE CURRENT

Frequency (Hz)	60(50)	120	500	1k	10k≤
0.47~1µF	0.50	1.00	1.20	1.30	1.50
2.2~4.7µF	0.65	1.00	1.20	1.30	1.50
10~47µF	0.80	1.00	1.20	1.30	1.50
100~1000µF	0.80	1.00	1.10	1.15	1.20
2200~33000µF	0.80	1.00	1.05	1.10	1.15

◆DIMENSIONS

(mm)



◆OPTION

	Code
PET Sleeve	EFC

◆PART NUMBER

□□□ PK □□□□□ M □□□ □□ D×L  
 Rated Voltage    Series    Capacitance    Capacitance Tolerance    Option    Lead Forming    Case Size



## X-ON Electronics

Largest Supplier of Electrical and Electronic Components

*Click to view similar products for [Aluminum Electrolytic Capacitors - Leaded](#) category:*

*Click to view products by [Rubycon](#) manufacturer:*

Other Similar products are found below :

[LXY50VB4.7M-5X11](#) [MAL203125221E3](#) [MAL204216159E3](#) [ESMG101ETD100MF11S](#) [RBC-25V-10UF-4X7](#) [RE3-35V222MJ6#](#) [RFO-100V471MJ7P#](#) [B41041A2687M8](#) [B41041A7226M8](#) [B41044A7157M6](#) [EKRG250ELL100MD07D](#) [EKXG201EC3101ML20S](#)  
[EKXG351ETD6R8MJ16S](#) [EKZM160ETD471MHB5D](#) [EPA-201ELL151MM25S](#) [NCD681K10KVY5PF](#) [NRLF103M25V35X20F](#)  
[KM4700/16](#) [KME50VB100M-8X11.5](#) [RXJ222M1EBK-1625](#) [SG220M1CSA-0407](#) [ES5107M016AE1DA](#) [ESX472M16B](#) [MAL211929479E3](#)  
[40D506F050DF5A](#) [TE1202E](#) [36DA273F050BB2A](#) [KME25VB100M-6.3X11](#) [511D336M250EK5D](#) [511D337M035CG4D](#)  
[515D477M035CG8PE3](#) [052687X](#) [EKMA500ELL4R7ME07D](#) [EKRG100ETC221MF09D](#) [NRE-S560M16V6.3X7TBSTF](#)  
[ERZA630VHN182UP54N](#) [MAL214099813E3](#) [MAL211990518E3](#) [MAL204281229E3](#) [NEV680M35EF](#) [686KXM050M](#) [ERS1VM222L30OT](#)  
[EGW2GM150W16OT](#) [EGS2GM6R8G12OC](#) [EHS2GM220W20OT](#) [ERF1VM222L30OT](#) [ERF1KM151G20OT](#) [EKZE500ELL101MHB5D](#)  
[EKMM251VSN221MP25S](#) [RGA221M1HBK-1016G](#)