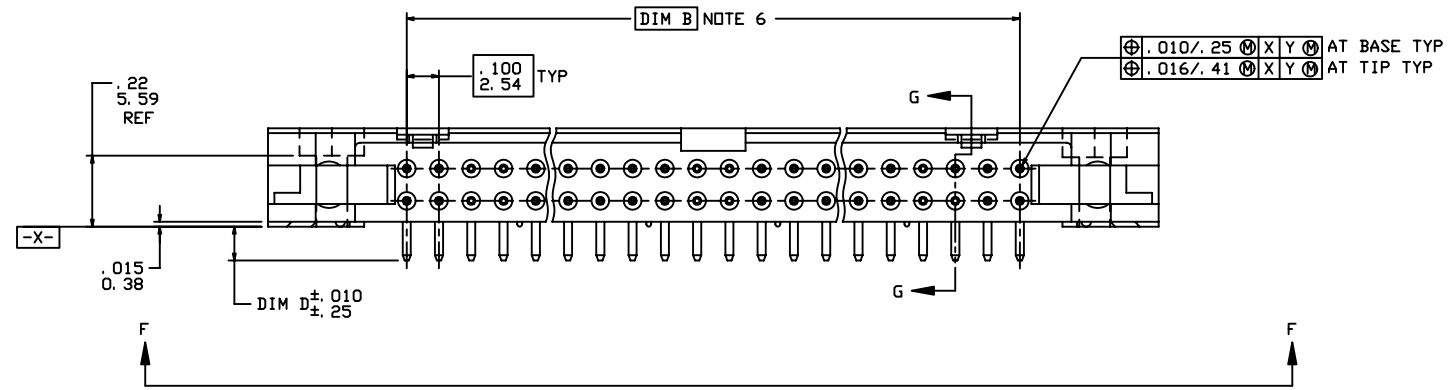
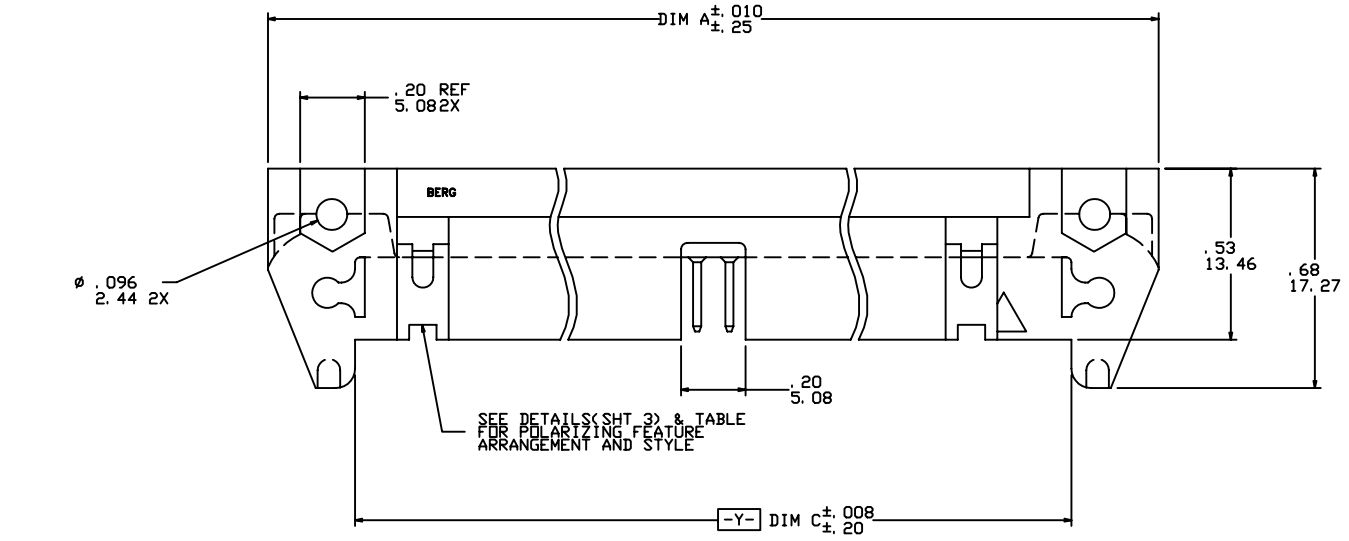


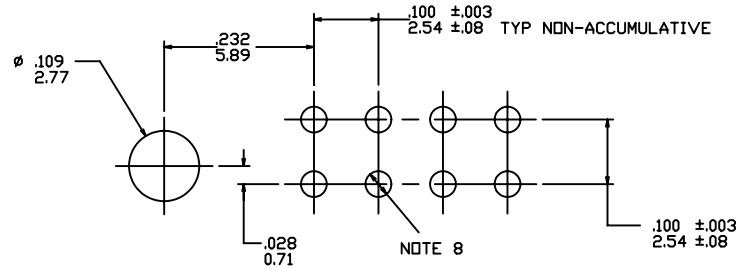
Tous droits strictement reserves. Reproduction ou communication a des tiers interalite sous quelque forme que ce soit sans autorisation ecrite du proprietaire. Propriete de c FCI. Droits de reproduction FCI.



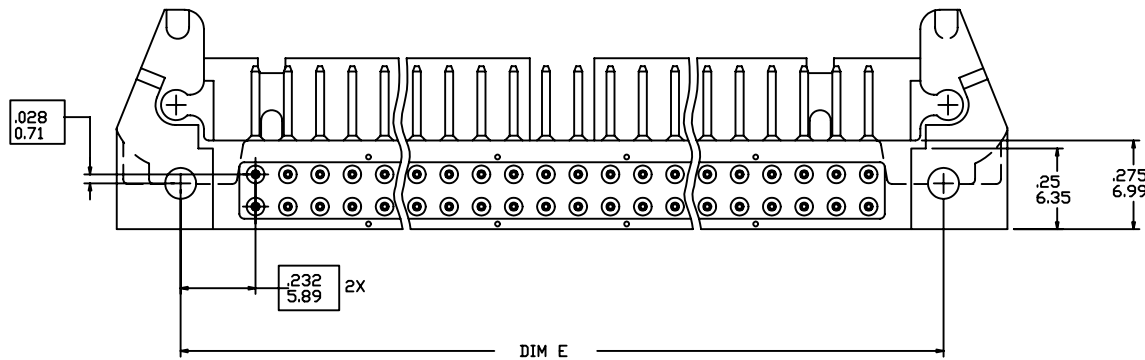
All rights strictly reserved. Reproduction or issue to third parties in any form whatever is not permitted without written authority from the proprietor. Property of FCI. Copyright FCI.



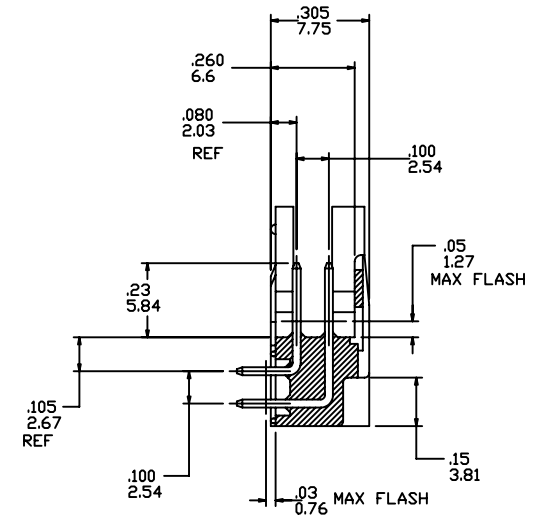
mat'l. code				tolerances unless otherwise specified				CUSTOMER COPY				FCI www.fciconnect.com				
ltr	ecn no	dr	date	linear	.XX±.01/.X±.3			projection				title				
AC	140002	LSS	07/22/94		.XXX±.005/.XX±.13			⊕ ⊖				HEADER, QUICKIE				
AD	N05-0129	ZC	5/20/05	angles	.XXX±.0020/.XXX±.051			INCH/MM				product family QUICKIE				
AE	N05-0151	WG	7/31/07		0°±2°			← →				size dwg no				
AF	N08-0175	R.B	2008/08/22	dr	J. SHREINER	1/16/90	scale				code					
				engr	M. SMYK	1/16/90	5:1				sheet					
				chr	M. SMYK	1/16/90	A				1 of 21					
				appd	M. SMYK	1/16/90										
AE	sheet index	revision sheet	AF AF	AF AF AF AF AF AF AF AF	AF AF AF AF AF AF AF AF	AF AF AF AF AF AF AF AF	AF AF AF AF AF AF AF AF	AF AF AF AF AF AF AF AF	AF AF AF AF AF AF AF AF	AF AF AF AF AF AF AF AF	AF AF AF AF AF AF AF AF	AF AF AF AF AF AF AF AF	AF AF AF AF AF AF AF AF	AF AF AF AF AF AF AF AF	AF AF AF AF AF AF AF AF	AF AF AF AF AF AF AF AF
21			1 2	3 4 5 6 7 8 9 10 11 12 13 14 15 16 17 18 19 20												



RECOMMENDED HOLE PATTERN
SCALE 10:1



VIEW F-F



SECTION G-G
ROTATED 90°CW

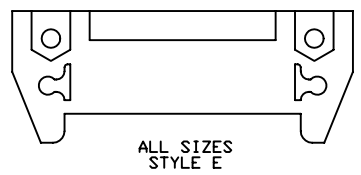
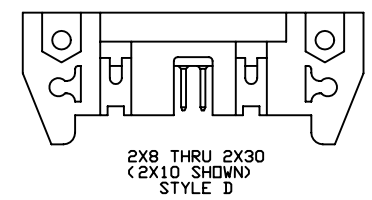
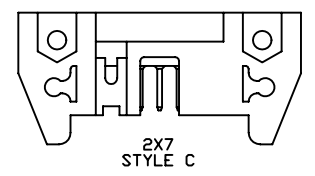
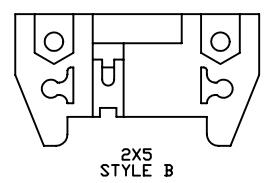
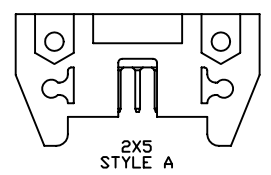
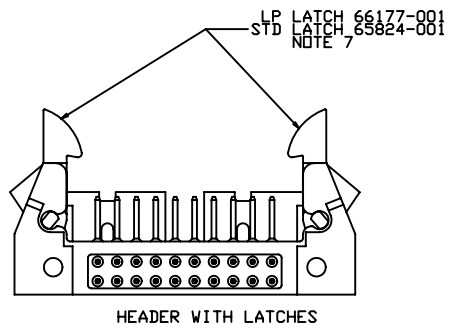
mat'l. code				tolerances unless otherwise specified		CUSTOMER COPY	FCI www.fciconnect.com	
ltr	ecn no	dr	date	linear	.XX±.01/.X±.3	projection	title HEADER, QUICKIE SEA, HORSE, RIGHT ANGLE	
AF					.XXX±.005/.XX±.13			
				angles	.XXX±.0020/.XXX±.051	INCH/MM	product family QUICKIE	
				0°±2°			code -	
				dr	J. SHREINER 1/16/90	scale 5:1	size	
				enr	M. SMYK 1/16/90		dwg no	
				chr	M. SMYK 1/16/90		65823	
				appd	M. SMYK 1/16/90		sheet 2 of 21	

sheet index	revision sheet																	
21																		

Tous droits strictement reserves. Reproduction ou communication a des tiers interdite sous quelque forme que ce soit sans autorisation ecrite du propriétaire. Propriete de c FCI. Droits de reproduction FCI.



All rights strictly reserved. Reproduction or issue to third parties in any form whatever is not permitted without written authority from the proprietor. Property of FCI. Copyright FCI.



NOTES:

1. RECOMMENDED MOUNTING SCREW SIZE: #2-56 FILLISTER HD MACH SCREW, 3/8" LG FOR 1/16" & 3/32" BOARD, 7/16" LG FOR 1/8" BOARD.
- ② MOLDING MAT'L: 30% GLASS FILLED POLYESTER, FLAME RETARDANT PER UL-94V-0, COLOR: BLUE.
- ③ PIN MAT'L: 3/4 HARD PHOS BRONZE ALLDY UNS C-51000.
4. 1° MAX DRAFT PERMISSIBLE ON ALL SURFACES UNLESS OTHERWISE SPECIFIED.
5. PLATING ON LEAD-IN PORTION OF PIN IS MANUFACTURING OPTION.
- ⑥ [B] BASIC DIM SHALL BE LOCATED SYMMETRICAL TO DATUM -Y-.
- ⑦ LOW PROFILE LATCHES TO BE USED WITH FEMALE CONNECTOR WITHOUT STRAIN RELIEF. STANDARD LATCHES TO BE USED WITH FEMALE CONNECTOR WITH STRAIN RELIEF.
- ⑧ .040±.003/1.02±.08 DIA HOLE TYP FOR SQ PINS, .035±.003/.89±.08 DIA HOLE TYP FOR RND PINS.
9. A. RETENTION FEATURE AVAILABLE ON CONNECTORS WITH .105/2.67, .120/3.05, OR .150/3.81 TAIL LENGTH. RETENTION P/N INCLUDES THE LETTER 'R' AFTER THE EXISTING P/N.
EXAMPLE: 65823-XXX FOR EXISTING P/N
65823-XXXR FOR RETENTION P/N
RETENTION FEATURE LOCATION IS MANUFACTURERS OPTION.
B. ROUND PINS HAVE 15 LBS/6.8 KGS MAX INSERTION AND .25 LB/.1 KG MIN RETENTION FORCE WHEN USED IN .035±.003/.89±.08 DIA HOLES AND .062/1.57 THICK PC BOARD.
C. SQUARE PINS HAVE A 15 LBS/6.8 KG MAX INSERTION AND .5 LB/.2 KG MIN RETENTION FORCE WHEN USED IN .040±.003/1.02±.08 DIA HOLES AND .062/1.57 THICK PC BOARD.
10. 65496-***LF IS JUST A LEAD FREE PRODUCT.
11. THE HOUSING OF XXXX-XYLFF WILL WITHSTAND EXPOSURE TO 260°C PEAK TEMPERATURE FOR 10 SECONDS IN A WAVE SOLDER PROCESS.
12. PLATING OPTION: MAYBE EITHER GOLD OR GXT PLATING AT MANUFACTURER'S OPTION .

mat'l. code		tolerances unless otherwise specified		CUSTOMER COPY	 www.fciconnect.com
ltr	ecn no	dr	date	linear	
AF				.XX±.01/.X±.3	projection
				.XXX±.005/.XX±.13	
				.XXX±.0020/.XXX±.051	
				angles	INCH/MM
				dr J. SHREINER 1/16/90	product family QUICKIE
				engr M. SMYK 1/16/90	code
				chr M. SMYK 1/16/90	size
				appd M. SMYK 1/16/90	scale
					5:1
					A
					65823
					sheet
					3 of 21

sheet index	revision sheet
21	

Tous droits strictement reserves. Reproduction ou communication a des tiers interdite sous quelque forme que ce soit sans autorisation écrite du propriétaire. Propriete de c FCI. Droits de reproduction FCI.



All rights strictly reserved. Reproduction or issue to third parties in any form whatever is not permitted without written authority from the proprietor. Property of FCI. Copyright FCI.

	SIZE	LATCHES NOTE 7	PIN SHAPE	DIM A	DIM B	DIM C	DIM D	DIM E	TERMINAL PLATING NOTE 12	STYLE
65823-001(LF)	2x5	ND	RND	1.260/32.00	.400/10.16	.720/18.29	.105/2.67	.86/21.8	30u" / .76 Au OVER 50u" / 1.27uNi	A
-002(LF)			SQ				.105/2.67		150u" / 3.81u Sn	
-003(LF)			RND				.150/3.81		30u" / .76 Au OVER 50u" / 1.27uNi	
-004(LF)			SQ				.150/3.81		150u" / 3.81u Sn	
-005(LF)			SQ				.675/17.15		30u" / .76 Au OVER 50u" / 1.27uNi	
-006(LF)	2x5		SQ	1.260/32.00	.400/10.16	.720/18.29	.675/17.15	.86/21.8	150u" / 3.81u Sn	A
-007(LF)	2x7		RND	1.460/37.08	.600/15.24	.920/23.37	.105/2.67	1.06/26.9	30u" / .76 Au OVER 50u" / 1.27uNi	C
-008(LF)			SQ				.105/2.67		150u" / 3.81u Sn	
-009(LF)			RND				.150/3.81		30u" / .76 Au OVER 50u" / 1.27uNi	
-010(LF)			SQ				.150/3.81		150u" / 3.81u Sn	
-011(LF)			SQ				.675/17.15		30u" / .76 Au OVER 50u" / 1.27uNi	
-012(LF)	2x7		SQ	1.460/37.08	.600/15.24	.920/23.37	.675/17.15	1.06/26.9	150u" / 3.81u Sn	C
-013(LF)	2x8		RND	1.560/39.62	.700/17.78	1.020/25.91	.105/2.67	1.16/29.4	30u" / .76 Au OVER 50u" / 1.27uNi	D
-014(LF)			SQ				.105/2.67		150u" / 3.81u Sn	
-015(LF)			RND				.150/3.81		30u" / .76 Au OVER 50u" / 1.27uNi	
-016(LF)			SQ				.150/3.81		150u" / 3.81u Sn	
-017(LF)			SQ				.675/17.15		30u" / .76 Au OVER 50u" / 1.27uNi	
-018(LF)	2x8		SQ	1.560/39.62	.700/17.78	1.020/25.91	.675/17.15	1.16/29.4	150u" / 3.81u Sn	
-019(LF)	2x10		RND	1.760/44.70	.900/22.86	1.220/30.99	.105/2.67	1.36/34.5	30u" / .76 Au OVER 50u" / 1.27uNi	
-020(LF)			SQ				.105/2.67		150u" / 3.81u Sn	
-021(LF)			RND				.150/3.81		30u" / .76 Au OVER 50u" / 1.27uNi	
-022(LF)			SQ				.150/3.81		150u" / 3.81u Sn	
-023(LF)			SQ				.675/17.15		30u" / .76 Au OVER 50u" / 1.27uNi	
-024(LF)	2x10		SQ	1.760/44.70	.900/22.86	1.220/30.99	.675/17.15	1.36/34.5	150u" / 3.81u Sn	
-025(LF)	2x13		RND	2.060/52.32	1.200/30.48	1.520/38.61	.105/2.67	1.66/42.1	30u" / .76 Au OVER 50u" / 1.27uNi	
-026(LF)			SQ				.105/2.67		150u" / 3.81u Sn	
-027(LF)			RND				.150/3.81		30u" / .76 Au OVER 50u" / 1.27uNi	
-028(LF)			SQ				.150/3.81		150u" / 3.81u Sn	
-029(LF)			SQ				.675/17.15		30u" / .76 Au OVER 50u" / 1.27uNi	
-030(LF)	2x13		SQ	2.060/52.32	1.200/30.48	1.520/38.61	.675/17.15	1.66/42.1	150u" / 3.81u Sn	
-031(LF)	2x17		RND	2.460/62.48	1.600/40.64	1.920/48.77	.105/2.67	2.06/52.3	30u" / .76 Au OVER 50u" / 1.27uNi	
-032(LF)			SQ				.105/2.67		150u" / 3.81u Sn	
-033(LF)			RND				.150/3.81		30u" / .76 Au OVER 50u" / 1.27uNi	
-034(LF)			SQ				.150/3.81		150u" / 3.81u Sn	
-035(LF)			SQ				.675/17.15		30u" / .76 Au OVER 50u" / 1.27uNi	
65823-036(LF)	2x17	ND	SQ	2.460/62.48	1.600/40.64	1.920/48.77	.675/17.15	2.06/52.3	150u" / 3.81u Sn	D

mat'l. code		tolerances unless otherwise specified		CUSTOMER COPY	 www.fciconnect.com
ltr	ecn no	dr	date	linear	
AF				linear	projection
				angles	
				dr	J. SHREINER 1/16/90
				engr	M. SMYK 1/16/90
				chr	M. SMYK 1/16/90
				appd	M. SMYK 1/16/90
					INCH/MM
					scale
					5:1
sheet index	revision sheet				product family QUICKIE
21					size
					dwg no
					code
					-
					sheet
					4 of 21



	SIZE	LATCHES NOTE 7	PIN SHAPE	DIM A	DIM B	DIM C	DIM D	DIM E	TERMINAL PLATING NOTE 12	STYLE
65823-037(LF)	2x20	ND	RND	2.760/70.10	1.900/48.26	2.220/56.39	.105/2.67	2.36/59.9	30u"/.76u Au OVER 50u"/1.27u Ni	D
-038(LF)			SQ				.105/2.67		150u"/3.81u Sn	
-039(LF)			RND				.150/3.81		30u"/.76u Au OVER 50u"/1.27u Ni	
-040(LF)			SQ				.150/3.81		150u"/3.81u Sn	
-041(LF)			SQ				.675/17.15		30u"/.76u Au OVER 50u"/1.27u Ni	
-042(LF)	2x20		SQ	2.760/70.10	1.900/48.26	2.220/56.39	.675/17.15	2.36/59.9	150u"/3.81u Sn	
-043(LF)	2x25		RND	3.260/82.80	2.400/60.96	2.720/69.09	.105/2.67	2.86/72.6	30u"/.76u Au OVER 50u"/1.27u Ni	
-044(LF)			SQ				.105/2.67		150u"/3.81u Sn	
-045(LF)			RND				.150/3.81		30u"/.76u Au OVER 50u"/1.27u Ni	
-046(LF)			SQ				.150/3.81		150u"/3.81u Sn	
-047(LF)			SQ				.675/17.15		30u"/.76u Au OVER 50u"/1.27u Ni	
-048(LF)	2x25	ND	SQ	3.260/82.80	2.400/60.96	2.720/69.09	.675/17.15	2.86/72.6	150u"/3.81u Sn	D
-049(LF)	2x5	STD	RND	1.260/32.00	.400/10.16	.720/18.29	.105/2.67	.86/21.8	30u"/.76u Au OVER 50u"/1.27u Ni	A
-050(LF)			SQ				.105/2.67		150u"/3.81u Sn	
-051(LF)			RND				.150/3.81		30u"/.76u Au OVER 50u"/1.27u Ni	
-052(LF)			SQ				.150/3.81		150u"/3.81u Sn	
-053(LF)			SQ				.675/17.15		30u"/.76u Au OVER 50u"/1.27u Ni	
-054(LF)	2x5		SQ	1.260/32.00	.400/10.16	.720/18.29	.675/17.15	.86/21.8	150u"/3.81u Sn	A
-055(LF)	2x7		RND	1.460/37.08	.600/15.24	.920/23.37	.105/2.67	1.06/26.9	30u"/.76u Au OVER 50u"/1.27u Ni	C
-056(LF)			SQ				.105/2.67		150u"/3.81u Sn	
-057(LF)			RND				.150/3.81		30u"/.76u Au OVER 50u"/1.27u Ni	
-058(LF)			SQ				.150/3.81		150u"/3.81u Sn	
-059(LF)			SQ				.675/17.15		30u"/.76u Au OVER 50u"/1.27u Ni	
-060(LF)	2x7		SQ	1.460/37.08	.600/15.24	.920/23.37	.675/17.15	1.06/26.9	150u"/3.81u Sn	C
-061(LF)	2x8		RND	1.560/39.62	.700/17.78	1.020/25.91	.105/2.67	1.16/29.4	30u"/.76u Au OVER 50u"/1.27u Ni	D
-062(LF)			SQ				.105/2.67		150u"/3.81u Sn	
-063(LF)			RND				.150/3.81		30u"/.76u Au OVER 50u"/1.27u Ni	
-064(LF)			SQ				.150/3.81		150u"/3.81u Sn	
-065(LF)			SQ				.675/17.15		30u"/.76u Au OVER 50u"/1.27u Ni	
-066(LF)	2x8		SQ	1.560/39.62	.700/17.78	1.020/25.91	.675/17.15	1.16/29.4	150u"/3.81u Sn	
-067(LF)	2x10		RND	1.760/44.70	.900/22.86	1.220/30.99	.105/2.67	1.36/34.5	30u"/.76u Au OVER 50u"/1.27u Ni	
-068(LF)			SQ				.105/2.67		150u"/3.81u Sn	
-069(LF)			RND				.150/3.81		30u"/.76u Au OVER 50u"/1.27u Ni	
-070(LF)			SQ				.150/3.81		150u"/3.81u Sn	
-071(LF)			SQ				.675/17.15		30u"/.76u Au OVER 50u"/1.27u Ni	
65823-072(LF)	2x10	STD	SQ	1.760/44.70	.900/22.86	1.220/30.99	.675/17.15	1.36/34.5	150u"/3.81u Sn	D

mat'l. code				tolerances unless otherwise specified		CUSTOMER COPY	 www.fciconnect.com
ltr	ecn no	dr	date	linear	.XX±.01/.X±.3 .XXX±.005/.XX±.13 .XXXX±.0020/.XXX±.051	projection	
AF				angles	0°±2'	 INCH/MM	HEADER, QUICKIE SEA, HORSE, RIGHT ANGLE
				dr	J. SHREINER 1/16/90	product family	QUICKIE
				engr	M. SMYK 1/16/90	size	dwg no
				appd	M. SMYK 1/16/90	scale	5:1
				PDM-Rev:AF		Released	
				Printed: 3 Apr 12, 2011		65823	
						sheet 5 of 21	

Tous droits strictement reserves. Reproduction ou communication a des tiers interdite sous quelque forme que ce soit sans autorisation écrite du propriétaire. Propriete de c FCI. Droits de reproduction FCI.



All rights strictly reserved. Reproduction or issue to third parties in any form whatever is not permitted without written authority from the proprietor. Property of FCI. Copyright FCI.

	SIZE	LATCHES NOTE 7	PIN SHAPE	DIM A	DIM B	DIM C	DIM D	DIM E	TERMINAL PLATING NOTE 12	STYLE
65823-073 (LF)	2x13	STD	RND	2.060/52.32	1.200/30.48	1.520/38.61	.105/2.67	1.66/42.1	30u" / .76u Au OVER 50u" / 1.27u Ni	D
-074 (LF)			SQ				.105/2.67		150u" / 3.81u 1/27u Ni	
-075 (LF)			RND				.150/3.81		30u" / .76u Au OVER 50u" / 1.27u Ni	
-076 (LF)			SQ				.150/3.81		150u" / 3.81u 1/27u Ni	
-077 (LF)			SQ				.675/17.15		30u" / .76u Au OVER 50u" / 1.27u Ni	
-078 (LF)	2x13		SQ	2.060/52.32	1.200/30.48	1.520/38.61	.675/17.15	1.66/42.1	150u" / 3.81u 1/27u Ni	
-079 (LF)	2x17		RND	2.460/62.48	1.600/40.64	1.920/48.77	.105/2.67	2.06/52.3	30u" / .76u Au OVER 50u" / 1.27u Ni	
-080 (LF)			SQ				.105/2.67		150u" / 3.81u 1/27u Ni	
-081 (LF)			RND				.150/3.81		30u" / .76u Au OVER 50u" / 1.27u Ni	
-082 (LF)			SQ				.150/3.81		150u" / 3.81u 1/27u Ni	
-083 (LF)			SQ				.675/17.15		30u" / .76u Au OVER 50u" / 1.27u Ni	
-084 (LF)	2x17		SQ	2.460/62.48	1.600/40.64	1.920/48.77	.675/17.15	2.06/52.3	150u" / 3.81u 1/27u Ni	
-085 (LF)	2x20		RND	2.760/70.10	1.900/48.26	2.220/56.39	.105/2.67	2.36/59.9	30u" / .76u Au OVER 50u" / 1.27u Ni	
-086 (LF)			SQ				.105/2.67		150u" / 3.81u 1/27u Ni	
-087 (LF)			RND				.150/3.81		30u" / .76u Au OVER 50u" / 1.27u Ni	
-088 (LF)			SQ				.150/3.81		150u" / 3.81u 1/27u Ni	
-089 (LF)			SQ				.675/17.15		30u" / .76u Au OVER 50u" / 1.27u Ni	
-090 (LF)	2x20		SQ	2.760/70.10	1.900/48.26	2.220/56.39	.675/17.15	2.36/59.9	150u" / 3.81u 1/27u Ni	
-091 (LF)	2x25		RND	3.260/82.80	2.400/60.96	2.720/69.09	.105/2.67	2.86/72.6	30u" / .76u Au OVER 50u" / 1.27u Ni	
-092 (LF)			SQ				.105/2.67		150u" / 3.81u 1/27u Ni	
-093 (LF)			RND				.150/3.81		30u" / .76u Au OVER 50u" / 1.27u Ni	
-094 (LF)			SQ				.150/3.81		150u" / 3.81u 1/27u Ni	
-095 (LF)			SQ				.675/17.15		30u" / .76u Au OVER 50u" / 1.27u Ni	
-096 (LF)	2x25	STD	SQ	3.260/82.80	2.400/60.96	2.720/69.09	.675/17.15	2.86/72.6	150u" / 3.81u 1/27u Ni	
-097 (LF)	2x30	ND	RND	3.760/95.50	2.900/73.66	3.220/81.79	.105/2.67	3.36/85.3	30u" / .76u Au OVER 50u" / 1.27u Ni	
-098 (LF)			SQ				.105/2.67		150u" / 3.81u 1/27u Ni	
-099 (LF)			RND				.150/3.81		30u" / .76u Au OVER 50u" / 1.27u Ni	
-100 (LF)			SQ				.150/3.81		150u" / 3.81u 1/27u Ni	
-101 (LF)			SQ				.675/17.15		30u" / .76u Au OVER 50u" / 1.27u Ni	
-102 (LF)		ND	SQ				.675/17.15		150u" / 3.81u 1/27u Ni	
-103 (LF)		STD	RND				.105/2.67		30u" / .76u Au OVER 50u" / 1.27u Ni	
-104 (LF)			SQ				.105/2.67		150u" / 3.81u 1/27u Ni	
-105 (LF)			RND				.150/3.81		30u" / .76u Au OVER 50u" / 1.27u Ni	
-106 (LF)			SQ				.150/3.81		150u" / 3.81u 1/27u Ni	
-107 (LF)			SQ				.675/17.15		30u" / .76u Au OVER 50u" / 1.27u Ni	
65823-108 (LF)	2x30	STD	SQ	3.760/95.50	2.900/73.66	3.220/81.79	.675/17.15	3.36/85.3	150u" / 3.81u 1/27u Ni	D

mat'l. code				tolerances unless otherwise specified				CUSTOMER COPY		 www.fciconnect.com	
ltr	ecn no	dr	date	linear	.XX±.01/.X±.3			projection	 title HEADER, QUICKIE SEA, HORSE, RIGHT ANGLE		
AF					.XXX±.005/.XX±.13						
					.XXX±.0020/.XXX±.051						
					angles	0°±2°					
					dr	J. SHREINER	1/16/90				
				enr	M. SMYK	1/16/90	INCH/MM		product family QUICKIE		
				chr	M. SMYK	1/16/90	←		code -		
				appd	M. SMYK	1/16/90	→		size		
sheet index				revision sheet				scale 5:1		A	
21										65823	
										sheet 6 of 21	



	SIZE	LATCHES NOTE 7	PIN SHAPE	DIM A	DIM B	DIM C	DIM D	DIM E	TERMINAL PLATING NOTE 12	STYLE
65823-109(LF)	2x5	ND	SQ	1.260/32.00	.400/10.16	.720/18.29	.105/2.67	.86/21.8	30u"/.76u Au OVER 50u"/1.27u Ni	A
-110(LF)	2x7			1.460/37.08	.600/15.24	.920/23.37		1.06/26.9		C
-111(LF)	2x8			1.560/39.62	.700/17.78	1.020/25.91		1.16/29.4		D
-112(LF)	2x10			1.760/44.70	.900/22.86	1.220/30.99		1.36/34.5		
-113(LF)	2x13			2.060/52.32	1.200/30.48	1.520/38.61		1.66/42.1		
-114(LF)	2x17			2.460/62.48	1.600/40.64	1.920/48.77		2.06/52.3		
-115(LF)	2x20			2.760/70.10	1.900/48.26	2.220/56.39		2.36/59.9		
-116(LF)	2x25			3.260/82.80	2.400/60.96	2.720/69.09		2.86/72.6		
-117(LF)	2x30	ND		3.760/95.50	2.900/73.66	3.220/81.79		3.36/85.3		D
-118(LF)	2x5	STD		1.260/32.00	.400/10.16	.720/18.29		.86/21.8		A
-119(LF)	2x7			1.460/37.08	.600/15.24	.920/23.37		1.06/26.9		C
-120(LF)	2x8			1.560/39.62	.700/17.78	1.020/25.91		1.16/29.4		D
-121(LF)	2x10			1.760/44.70	.900/22.86	1.220/30.99		1.36/34.5		
-122(LF)	2x13			2.060/52.32	1.200/30.48	1.520/38.61		1.66/42.1		
-123(LF)	2x17			2.460/62.48	1.600/40.64	1.920/48.77		2.06/52.3		
-124(LF)	2x20			2.760/70.10	1.900/48.26	2.220/56.39		2.36/59.9		
-125(LF)	2x25			3.260/82.80	2.400/60.96	2.720/69.09		2.86/72.6		
-126(LF)	2x30	STD	SQ	3.760/95.50	2.900/73.66	3.220/81.79	.105/2.67	3.36/85.3	30u"/.76u Au OVER 50u"/1.27u Ni	D
-127(LF)	2x5	ND	RND	1.260/32.00	.400/10.16	.720/18.29	.150/3.81	.86/21.8	30u"/.76u GXT/GOLD FLASH	A
-128(LF)	2x7			1.460/37.08	.600/15.24	.920/23.37		1.06/26.9		C
-129(LF)	2x8			1.560/39.62	.700/17.78	1.020/25.91		1.16/29.4		D
-130(LF)	2x10			1.760/44.70	.900/22.86	1.220/30.99		1.36/34.5		
-131(LF)	2x13			2.060/52.32	1.200/30.48	1.520/38.61		1.66/42.1		
-132(LF)	2x17			2.460/62.48	1.600/40.64	1.920/48.77		2.06/52.3		
-133(LF)	2x20			2.760/70.10	1.900/48.26	2.220/56.39		2.36/59.9		
-134(LF)	2x25			3.260/82.80	2.400/60.96	2.720/69.09		2.86/72.6		
-135(LF)	2x30	ND		3.760/95.50	2.900/73.66	3.220/81.79		3.36/85.3		D
-136(LF)	2x5	STD		1.260/32.00	.400/10.16	.720/18.29		.86/21.8		A
-137(LF)	2x7			1.460/37.08	.600/15.24	.920/23.37		1.06/26.9		C
-138(LF)	2x8			1.560/39.62	.700/17.78	1.020/25.91		1.16/29.4		D
-139(LF)	2x10			1.760/44.70	.900/22.86	1.220/30.99		1.36/34.5		
-140(LF)	2x13			2.060/52.32	1.200/30.48	1.520/38.61		1.66/42.1		
-141(LF)	2x17			2.460/62.48	1.600/40.64	1.920/48.77		2.06/52.3		
-142(LF)	2x20			2.760/70.10	1.900/48.26	2.220/56.39		2.36/59.9		
-143(LF)	2x25			3.260/82.80	2.400/60.96	2.720/69.09		2.86/72.6		
65823-144(LF)	2x30	STD	RND	3.760/95.50	2.900/73.66	3.220/81.79	.150/3.81	3.36/85.3	30u"/.76u GXT/GOLD FLASH	D

mat'l. code		tolerances unless otherwise specified		CUSTOMER COPY	www.fciconnect.com	
ltr	ecn no	dr	date	linear		
AF				.XX±.01/.X±.3	projection	
				.XXX±.005/.XX±.13		title
				.XXX±.0020/.XXX±.051	INCH/MM	HEADER, QUICKIE
				angles	← →	SEA, HORSE, RIGHT ANGLE
				0°±2'	scale	product family
				dr J. SHREINER 1/16/90	5:1	QUICKIE
				enr M. SMYK 1/16/90		code
				chr M. SMYK 1/16/90		—
				appd M. SMYK 1/16/90		sheet
						7 of 21
sheet index	revision sheet					
21						



	SIZE	LATCHES NOTE 7	PIN SHAPE	DIM A	DIM B	DIM C	DIM D	DIM E	TERMINAL PLATING NOTE 12	STYLE
65823-145 (LF)	2x5	LP	RND	1.260/32.00	.400/10.16	.720/18.29	.105/2.67	.86/21.8	30u" / .76u Au DVER 50u" / 1.27u Ni	A
-146 (LF)			SQ				.105/2.67		150u" / 3.81u Sn	
-147 (LF)			RND				.150/3.81		30u" / .76u Au DVER 50u" / 1.27u Ni	
-148 (LF)			SQ				.150/3.81		150u" / 3.81u Sn	
-149 (LF)			SQ				.675/17.15		30u" / .76u Au DVER 50u" / 1.27u Ni	
-150 (LF)	2x5		SQ	1.260/32.00	.400/10.16	.720/18.29	.675/17.15	.86/21.8	150u" / 3.81u Sn	A
-151 (LF)	2x7		RND	1.460/37.08	.600/15.24	.920/23.37	.105/2.67	1.06/26.9	30u" / .76u Au DVER 50u" / 1.27u Ni	C
-152 (LF)			SQ				.105/2.67		150u" / 3.81u Sn	
-153 (LF)			RND				.150/3.81		30u" / .76u Au DVER 50u" / 1.27u Ni	
-154 (LF)			SQ				.150/3.81		150u" / 3.81u Sn	
-155 (LF)			SQ				.675/17.15		30u" / .76u Au DVER 50u" / 1.27u Ni	
-156 (LF)	2x7		SQ	1.460/37.08	.600/15.24	.920/23.37	.675/17.15	1.06/26.9	150u" / 3.81u Sn	C
-157 (LF)	2x8		RND	1.560/39.62	.700/17.78	1.020/25.91	.105/2.67	1.16/29.4	30u" / .76u Au DVER 50u" / 1.27u Ni	D
-158 (LF)			SQ				.105/2.67		150u" / 3.81u Sn	
-159 (LF)			RND				.150/3.81		30u" / .76u Au DVER 50u" / 1.27u Ni	
-160 (LF)			SQ				.150/3.81		150u" / 3.81u Sn	
-161 (LF)			SQ				.675/17.15		30u" / .76u Au DVER 50u" / 1.27u Ni	
-162 (LF)	2x8		SQ	1.560/39.62	.700/17.78	1.020/25.91	.675/17.15	1.16/29.4	150u" / 3.81u Sn	
-163 (LF)	2x10		RND	1.760/44.70	.900/22.86	1.220/30.99	.105/2.67	1.36/34.5	30u" / .76u Au DVER 50u" / 1.27u Ni	
-164 (LF)			SQ				.105/2.67		150u" / 3.81u Sn	
-165 (LF)			RND				.150/3.81		30u" / .76u Au DVER 50u" / 1.27u Ni	
-166 (LF)			SQ				.150/3.81		150u" / 3.81u Sn	
-167 (LF)			SQ				.675/17.15		30u" / .76u Au DVER 50u" / 1.27u Ni	
-168 (LF)	2x10		SQ	1.760/44.70	.900/22.86	1.220/30.99	.675/17.15	1.36/34.5	150u" / 3.81u Sn	
-169 (LF)	2x13		RND	2.060/52.32	1.200/30.48	1.520/38.61	.105/2.67	1.66/42.1	30u" / .76u Au DVER 50u" / 1.27u Ni	
-170 (LF)			SQ				.105/2.67		150u" / 3.81u Sn	
-171 (LF)			RND				.150/3.81		30u" / .76u Au DVER 50u" / 1.27u Ni	
-172 (LF)			SQ				.150/3.81		150u" / 3.81u Sn	
-173 (LF)			SQ				.675/17.15		30u" / .76u Au DVER 50u" / 1.27u Ni	
-174 (LF)	2x13		SQ	2.060/52.32	1.200/30.48	1.520/38.61	.675/17.15	1.66/42.1	150u" / 3.81u Sn	
-175 (LF)	2x17		RND	2.460/62.48	1.600/40.64	1.920/48.77	.105/2.67	2.06/52.3	30u" / .76u Au DVER 50u" / 1.27u Ni	
-176 (LF)			SQ				.105/2.67		150u" / 3.81u Sn	
-177 (LF)			RND				.150/3.81		30u" / .76u Au DVER 50u" / 1.27u Ni	
-178 (LF)			SQ				.150/3.81		150u" / 3.81u Sn	
-179 (LF)			SQ				.675/17.15		30u" / .76u Au DVER 50u" / 1.27u Ni	
65823-180 (LF)	2x17	LP	SQ	2.460/62.48	1.600/40.64	1.920/48.77	.675/17.15	2.06/52.3	150u" / 3.81u Sn	D

mat'l. code				tolerances unless otherwise specified			CUSTOMER COPY		FCI www.fciconnect.com	
ltr	ecn no	dr	date	linear	.XX±.01/.X±.3		projection	title HEADER, QUICKIE SEA, HORSE, RIGHT ANGLE		
AF					.XXX±.005/.XX±.13					
					.XXX±.0020/.XXX±.051					
				angles	0°±2°		INCH/MM	product family		code
				dr	J. SHREINER	1/16/90		QUICKIE		-
				engr	M. SMYK	1/16/90		sizer		dwg no
				chr	M. SMYK	1/16/90		A		65823
				appd	M. SMYK	1/16/90	scale	5:1		sheet
										8 of 21
	sheet index	revision sheet								
	21									

Tous droits strictement reserves. Reproduction ou communication a des tiers interdite sous quelque forme que ce soit sans autorisation ecrite du proprietaire. Propriete de c FCI. Droits de reproduction FCI.



All rights strictly reserved. Reproduction or issue to third parties in any form whatever is not permitted without written authority from the proprietor. Property of FCI. Copyright FCI.

	SIZE	LATCHES NOTE 7	PIN SHAPE	DIM A	DIM B	DIM C	DIM D	DIM E	TERMINAL PLATING NOTE 12	STYLE
65823-181(LF)	2x20	LP	RND	2.760/70.10	1.900/48.26	2.220/56.39	.105/2.67	2.36/59.9	30u"/.76u DVER 50u"/1.27u Ni	D
-182(LF)			SQ				.105/2.67		150u"/3.81u Sn	
-183(LF)			RND				.150/3.81		30u"/.76u DVER 50u"/1.27u Ni	
-184(LF)			SQ				.150/3.81		150u"/3.81u Sn	
-185(LF)			SQ				.675/17.15		30u"/.76u DVER 50u"/1.27u Ni	
-186(LF)	2x20		SQ	2.760/70.10	1.900/48.26	2.220/56.39	.675/17.15	2.36/59.9	150u"/3.81u Sn	
-187(LF)	2x25		RND	3.260/82.80	2.400/60.96	2.720/69.09	.105/2.67	2.86/72.6	30u"/.76u DVER 50u"/1.27u Ni	
-188(LF)			SQ				.105/2.67		150u"/3.81u Sn	
-189(LF)			RND				.150/3.81		30u"/.76u DVER 50u"/1.27u Ni	
-190(LF)			SQ				.150/3.81		150u"/3.81u Sn	
-191(LF)			SQ				.675/17.15		30u"/.76u DVER 50u"/1.27u Ni	
-192(LF)	2x25		SQ	3.260/82.80	2.400/60.96	2.720/69.09	.675/17.15	2.86/72.6	150u"/3.81u Sn	
-193(LF)	2x30		RND	3.760/95.50	2.900/73.66	3.220/81.79	.105/2.67	3.36/85.3	30u"/.76u DVER 50u"/1.27u Ni	
-194(LF)			SQ				.105/2.67		150u"/3.81u Sn	
-195(LF)			RND				.150/3.81		30u"/.76u DVER 50u"/1.27u Ni	
-196(LF)			SQ				.150/3.81		150u"/3.81u Sn	
-197(LF)			SQ				.675/17.15		30u"/.76u DVER 50u"/1.27u Ni	
-198(LF)	2x30			3.760/95.50	2.900/73.66	3.220/81.79	.675/17.15	3.36/85.3	150u"/3.81u Sn	D
-199(LF)	2x5			1.260/32.00	.400/10.16	.720/18.29	.105/2.67	.86/21.8	30u"/.76u DVER 50u"/1.27u Ni	A
-200(LF)	2x7			1.460/37.08	.600/15.24	.920/23.37		1.06/26.9		C
-201(LF)	2x8			1.560/39.62	.700/17.78	1.020/25.91		1.16/29.4		D
-202(LF)	2x10			1.760/44.70	.900/22.86	1.220/30.99		1.36/34.5		
-203(LF)	2x13			2.060/52.32	1.200/30.48	1.520/38.61		1.66/42.1		
-204(LF)	2x17			2.460/62.48	1.600/40.64	1.920/48.77		2.06/52.3		
-205(LF)	2x20			2.760/70.10	1.900/48.26	2.220/56.39		2.36/59.9		
-206(LF)	2x25			3.260/82.80	2.400/60.96	2.720/69.09		2.86/72.6		
-207(LF)	2x30		SQ	3.760/95.50	2.900/73.66	3.220/81.79	.105/2.67	3.36/85.3	30u"/.76u DVER 50u"/1.27u Ni	D
-208(LF)	2x5		RND	1.260/32.00	.400/10.16	.720/18.29	.150/3.81	.86/21.8	30u"/.76u GXT/GOLD FLASH	A
-209(LF)	2x7			1.460/37.08	.600/15.24	.920/23.37		1.06/26.9		C
-210(LF)	2x8			1.560/39.62	.700/17.78	1.020/25.91		1.16/29.4		D
-211(LF)	2x10			1.760/44.70	.900/22.86	1.220/30.99		1.36/34.5		
-212(LF)	2x13			2.060/52.32	1.200/30.48	1.520/38.61		1.66/42.1		
-213(LF)	2x17			2.460/62.48	1.600/40.64	1.920/48.77		2.06/52.3		
-214(LF)	2x20			2.760/70.10	1.900/48.26	2.220/56.39		2.36/59.9		
-215(LF)	2x25			3.260/82.80	2.400/60.96	2.720/69.09		2.86/72.6		
65823-216(LF)	2x30	LP	RND	3.760/95.50	2.900/73.66	3.220/81.79	.150/3.81	3.36/85.3	30u"/.76u GXT/GOLD FLASH	D

mat'l. code				tolerances unless otherwise specified				CUSTOMER COPY		FCI www.fciconnect.com	
ltr	ecn no	dr	date	linear	.XX±.01/.X±.3			projection ⊕	title HEADER, QUICKIE		
AF					.XXX±.005/.XX±.13				SEA, HORSE, RIGHT ANGLE		
					.XXX±.0020/.XXX±.051				product family QUICKIE		
					angles 0°±2°				code -		
				dr	J. SHREINER	1/16/90	INCH/MM ←→	product family QUICKIE		code	
				enr	M. SMYK	1/16/90		size/dwg no		-	
				chr	M. SMYK	1/16/90		A		sheet	
				appd	M. SMYK	1/16/90		65823		9 of 21	
sheet index		revision sheet									
21											

Tous droits strictement reserves. Reproduction ou communication a des tiers interalite sous quelle forme que ce soit sans autorisation ecrite du propriétaire. Propriete de c FCI. Droits de reproduction FCI.



All rights strictly reserved. Reproduction or issue to third parties in any form whatever is not permitted without written authority from the proprietor. Property of FCI. Copyright FCI.

	SIZE	LATCHES NOTE 7	PIN SHAPE	DIM A	DIM B	DIM C	DIM D	DIM E	TERMINAL PLATING NOTE 12	STYLE
65823-217(LF)	2x5	ND	RND	1.260/32.00	.400/10.16	.720/18.29	.105/2.67	.86/21.8	30u" / .76u GXT/GOLD FLASH	A
-218(LF)	2x7			1.460/37.08	.600/15.24	.920/23.37		1.06/26.9		C
-219(LF)	2x8			1.560/39.62	.700/17.78	1.020/25.91		1.16/29.4		D
-220(LF)	2x10			1.760/44.70	.900/22.86	1.220/30.99		1.36/34.5		
-221(LF)	2x13			2.060/52.32	1.200/30.48	1.520/38.61		1.66/42.1		
-222(LF)	2x17			2.460/62.48	1.600/40.64	1.920/48.77		2.06/52.3		
-223(LF)	2x20			2.760/70.10	1.900/48.26	2.220/56.39		2.36/59.9		
-224(LF)	2x25			3.260/82.80	2.400/60.96	2.720/69.09		2.86/72.6		
-225(LF)	2x30		RND	3.760/95.50	2.900/73.66	3.220/81.79	.105/2.67	3.36/85.3		D
-226(LF)	2x5		SQ	1.260/32.00	.400/10.16	.720/18.29	.675/17.15	.86/21.8		A
-227(LF)	2x7			1.460/37.08	.600/15.24	.920/23.37		1.06/26.9		C
-228(LF)	2x8			1.560/39.62	.700/17.78	1.020/25.91		1.16/29.4		D
-229(LF)	2x10			1.760/44.70	.900/22.86	1.220/30.99		1.36/34.5		
-230(LF)	2x13			2.060/52.32	1.200/30.48	1.520/38.61		1.66/42.1		
-231(LF)	2x17			2.460/62.48	1.600/40.64	1.920/48.77		2.06/52.3		
-232(LF)	2x20			2.760/70.10	1.900/48.26	2.220/56.39		2.36/59.9		
-233(LF)	2x25			3.260/82.80	2.400/60.96	2.720/69.09		2.86/72.6		
-234(LF)	2x30	ND	SQ	3.760/95.50	2.900/73.66	3.220/81.79	.675/17.15	3.36/85.3		D
-235(LF)	2x5	STD	RND	1.260/32.00	.400/10.16	.720/18.29	.105/2.67	.86/21.8		A
-236(LF)	2x7			1.460/37.08	.600/15.24	.920/23.37		1.06/26.9		C
-237(LF)	2x8			1.560/39.62	.700/17.78	1.020/25.91		1.16/29.4		D
-238(LF)	2x10			1.760/44.70	.900/22.86	1.220/30.99		1.36/34.5		
-239(LF)	2x13			2.060/52.32	1.200/30.48	1.520/38.61		1.66/42.1		
-240(LF)	2x17			2.460/62.48	1.600/40.64	1.920/48.77		2.06/52.3		
-241(LF)	2x20			2.760/70.10	1.900/48.26	2.220/56.39		2.36/59.9		
-242(LF)	2x25			3.260/82.80	2.400/60.96	2.720/69.09		2.86/72.6		
-243(LF)	2x30		RND	3.760/95.50	2.900/73.66	3.220/81.79	.105/2.67	3.36/85.3		D
-244(LF)	2x5		SQ	1.260/32.00	.400/10.16	.720/18.29	.150/3.81	.86/21.8		A
-245(LF)	2x7			1.460/37.08	.600/15.24	.920/23.37		1.06/26.9		C
-246(LF)	2x8			1.560/39.62	.700/17.78	1.020/25.91		1.16/29.4		D
-247(LF)	2x10			1.760/44.70	.900/22.86	1.220/30.99		1.36/34.5		
-248(LF)	2x13			2.060/52.32	1.200/30.48	1.520/38.61		1.66/42.1		
-249(LF)	2x17			2.460/62.48	1.600/40.64	1.920/48.77		2.06/52.3		
-250(LF)	2x20			2.760/70.10	1.900/48.26	2.220/56.39		2.36/59.9		
-251(LF)	2x25			3.260/82.80	2.400/60.96	2.720/69.09		2.86/72.6		
65823-252(LF)	2x30	STD	SQ	3.760/95.50	2.900/73.66	3.220/81.79	.150/3.81	3.36/85.3	30u" / .76u GXT/GOLD FLASH	D

mat'l. code		tolerances unless otherwise specified		CUSTOMER COPY		 www.fciconnect.com	
ltr	ecn no	dr	date	linear	.XX±.01/.X±.3	projection	
AF							
				angles	0°±2'	INCH/MM	product family QUICKIE
				dr	J. SHREINER 1/16/90		
				enr	M. SMYK 1/16/90	5:1	dwg no
				chr	M. SMYK 1/16/90		
				appd	M. SMYK 1/16/90	sheet	10 of 21
				sheet index	21		

Tous droits strictement reserves. Reproduction ou communication a des tiers interdite sous quelque forme que ce soit sans autorisation ecrite du propriétaire. Propriete de c FCI. Droits de reproduction FCI.



All rights strictly reserved. Reproduction or issue to third parties in any form whatever is not permitted without written authority from the proprietor. Property of FCI. Copyright FCI.

	SIZE	LATCHES NOTE 7	PIN SHAPE	DIM A	DIM B	DIM C	DIM D	DIM E	TERMINAL PLATING NOTE 12	STYLE
65823-253(LF)	2x5	LP	RND	1.260/32.00	.400/10.16	.720/18.29	.105/2.67	.86/21.8	30u" / .76u GXT/GOLD FLASH	A
-254(LF)	2x7			1.460/37.08	.600/15.24	.920/23.37		1.06/26.9		C
-255(LF)	2x8			1.560/39.62	.700/17.78	1.020/25.91		1.16/29.4		D
-256(LF)	2x10			1.760/44.70	.900/22.86	1.220/30.99		1.36/34.5		
-257(LF)	2x13			2.060/52.32	1.200/30.48	1.520/38.61		1.66/42.1		
-258(LF)	2x17			2.460/62.48	1.600/40.64	1.920/48.77		2.06/52.3		
-259(LF)	2x20			2.760/70.10	1.900/48.26	2.220/56.39		2.36/59.9		
-260(LF)	2x25			3.260/82.80	2.400/60.96	2.720/69.09		2.86/72.6		
-261(LF)	2x30		RND	3.760/95.50	2.900/73.66	3.220/81.79	.105/2.67	3.36/85.3		D
-262(LF)	2x5		SQ	1.260/32.00	.400/10.16	.720/18.29	.675/17.15	.86/21.8		A
-263(LF)	2x7			1.460/37.08	.600/15.24	.920/23.37		1.06/26.9		C
-264(LF)	2x8			1.560/39.62	.700/17.78	1.020/25.91		1.16/29.4		D
-265(LF)	2x10			1.760/44.70	.900/22.86	1.220/30.99		1.36/34.5		
-266(LF)	2x13			2.060/52.32	1.200/30.48	1.520/38.61		1.66/42.1		
-267(LF)	2x17			2.460/62.48	1.600/40.64	1.920/48.77		2.06/52.3		
-268(LF)	2x20			2.760/70.10	1.900/48.26	2.220/56.39		2.36/59.9		
-269(LF)	2x25			3.260/82.80	2.400/60.96	2.720/69.09		2.86/72.6		
-270(LF)	2x30	LP	SQ	3.760/95.50	2.900/73.66	3.220/81.79	.675/17.15	3.36/85.3	30u" / .76u GXT/GOLD FLASH	D
-271(LF)	2x5	ND	RND	1.260/32.00	.400/10.16	.720/18.29	.105/2.67	.86/21.8	15u" .38u Au OVER 50u" / 1.27u Ni	A
-272(LF)	2x7			1.460/37.08	.600/15.24	.920/23.37		1.06/26.9		C
-273(LF)	2x8			1.560/39.62	.700/17.78	1.020/25.91		1.16/29.4		D
-274(LF)	2x10			1.760/44.70	.900/22.86	1.220/30.99		1.36/34.5		
-275(LF)	2x13			2.060/52.32	1.200/30.48	1.520/38.61		1.66/42.1		
-276(LF)	2x17			2.460/62.48	1.600/40.64	1.920/48.77		2.06/52.3		
-277(LF)	2x20			2.760/70.10	1.900/48.26	2.220/56.39		2.36/59.9		
-278(LF)	2x25			3.260/82.80	2.400/60.96	2.720/69.09		2.86/72.6		
-279(LF)	2x30			3.760/95.50	2.900/73.66	3.220/81.79	.105/2.67	3.36/85.3		D
-280(LF)	2x5			1.260/32.00	.400/10.16	.720/18.29	.150/3.81	.86/21.8		A
-281(LF)	2x7			1.460/37.08	.600/15.24	.920/23.37		1.06/26.9		C
-282(LF)	2x8			1.560/39.62	.700/17.78	1.020/25.91		1.16/29.4		D
-283(LF)	2x10			1.760/44.70	.900/22.86	1.220/30.99		1.36/34.5		
-284(LF)	2x13			2.060/52.32	1.200/30.48	1.520/38.61		1.66/42.1		
-285(LF)	2x17			2.460/62.48	1.600/40.64	1.920/48.77		2.06/52.3		
-286(LF)	2x20			2.760/70.10	1.900/48.26	2.220/56.39		2.36/59.9		
-287(LF)	2x25			3.260/82.80	2.400/60.96	2.720/69.09		2.86/72.6		
65823-288(LF)	2x30	ND	RND	3.760/95.50	2.900/73.66	3.220/81.79	.150/3.81	3.36/85.3	15u" .38u Au OVER 50u" / 1.27u Ni	D

mat'l. code				tolerances unless otherwise specified				CUSTOMER COPY		 www.fciconnect.com				
ltr	ecn no	dr	date	linear	.XX±.01/.X±.3			projection	 INCH/MM		title			
AF					.XXX±.005/.XX±.13						HEADER, QUICKIE			
					.XXX±.0020/.XXX±.051						SEA, HORSE, RIGHT ANGLE			
					angles	0°±2°					product family		code	
					dr	J. SHREINER	1/16/90				QUICKIE		-	
				enr	M. SMYK	1/16/90		size		dwg no				
				chr	M. SMYK	1/16/90		scale		sheet				
				appd	M. SMYK	1/16/90		5:1		11 of 21				
sheet index		revision sheet												
21														

Tous droits strictement reserves. Reproduction ou communication a des tiers interalite sous quelque forme que ce soit sans autorisation ecrite du proprietaire. Propriete de c FCI. Droits de reproduction FCI.

All rights strictly reserved. Reproduction or issue to third parties in any form whatever is not permitted without written authority from the proprietor. Property of FCI. Copyright FCI.



	SIZE	LATCHES NOTE 7	PIN SHAPE	DIM A	DIM B	DIM C	DIM D	DIM E	TERMINAL PLATING NOTE 12	STYLE
65823-289(LF)	2x5	ND	SQ	1.260/32.00	.400/10.16	.720/18.29	.105/2.67	.86/21.8	15u".38u Au OVER 50u"/1.27u Ni	A
-290(LF)	2x7			1.460/37.08	.600/15.24	.920/23.37		1.06/26.9		C
-291(LF)	2x8			1.560/39.62	.700/17.78	1.020/25.91		1.16/29.4		D
-292(LF)	2x10			1.760/44.70	.900/22.86	1.220/30.99		1.36/34.5		
-293(LF)	2x13			2.060/52.32	1.200/30.48	1.520/38.61		1.66/42.1		
-294(LF)	2x17			2.460/62.48	1.600/40.64	1.920/48.77		2.06/52.3		
-295(LF)	2x20			2.760/70.10	1.900/48.26	2.220/56.39		2.36/59.9		
-296(LF)	2x25			3.260/82.80	2.400/60.96	2.720/69.09		2.86/72.6		
-297(LF)	2x30	ND	SQ	3.760/95.50	2.900/73.66	3.220/81.79	.105/2.67	3.36/85.3		D
-298(LF)	2x5	STD	RND	1.260/32.00	.400/10.16	.720/18.29	.675/17.15	.86/21.8		A
-299(LF)	2x7			1.460/37.08	.600/15.24	.920/23.37		1.06/26.9		C
-300(LF)	2x8			1.560/39.62	.700/17.78	1.020/25.91		1.16/29.4		D
-301(LF)	2x10			1.760/44.70	.900/22.86	1.220/30.99		1.36/34.5		
-302(LF)	2x13			2.060/52.32	1.200/30.48	1.520/38.61		1.66/42.1		
-303(LF)	2x17			2.460/62.48	1.600/40.64	1.920/48.77		2.06/52.3		
-304(LF)	2x20			2.760/70.10	1.900/48.26	2.220/56.39		2.36/59.9		
-305(LF)	2x25			3.260/82.80	2.400/60.96	2.720/69.09		2.86/72.6		
-306(LF)	2x30			3.760/95.50	2.900/73.66	3.220/81.79	.675/17.15	3.36/85.3		D
-307(LF)	2x5			1.260/32.00	.400/10.16	.720/18.29	.105/2.67	.86/21.8		A
-308(LF)	2x7			1.460/37.08	.600/15.24	.920/23.37		1.06/26.9		C
-309(LF)	2x8			1.560/39.62	.700/17.78	1.020/25.91		1.16/29.4		D
-310(LF)	2x10			1.760/44.70	.900/22.86	1.220/30.99		1.36/34.5		
-311(LF)	2x13			2.060/52.32	1.200/30.48	1.520/38.61		1.66/42.1		
-312(LF)	2x17			2.460/62.48	1.600/40.64	1.920/48.77		2.06/52.3		
-313(LF)	2x20			2.760/70.10	1.900/48.26	2.220/56.39		2.36/59.9		
-314(LF)	2x25			3.260/82.80	2.400/60.96	2.720/69.09		2.86/72.6		
-315(LF)	2x30		RND	3.760/95.50	2.900/73.66	3.220/81.79	.105/2.67	3.36/85.3		D
-316(LF)	2x5		SQ	1.260/32.00	.400/10.16	.720/18.29	.150/3.81	.86/21.8		A
-317(LF)	2x7			1.460/37.08	.600/15.24	.920/23.37		1.06/26.9		C
-318(LF)	2x8			1.560/39.62	.700/17.78	1.020/25.91		1.16/29.4		D
-319(LF)	2x10			1.760/44.70	.900/22.86	1.220/30.99		1.36/34.5		
-320(LF)	2x13			2.060/52.32	1.200/30.48	1.520/38.61		1.66/42.1		
-311(LF)	2x17			2.460/62.48	1.600/40.64	1.920/48.77		2.06/52.3		
-312(LF)	2x20			2.760/70.10	1.900/48.26	2.220/56.39		2.36/59.9		
-313(LF)	2x25			3.260/82.80	2.400/60.96	2.720/69.09		2.86/72.6		
65823-313(LF)	2x30	STD	SQ	3.760/95.50	2.900/73.66	3.220/81.79	.150/3.81	3.36/85.3	15u".38u Au OVER 50u"/1.27u Ni	D

mat'l. code				tolerances unless otherwise specified				CUSTOMER COPY		FCI www.fciconnect.com		
ltr	ecn no	dr	date	linear	.XX±.01/.X±.3			projection 	title			
AF					.XXX±.005/.XX±.13				HEADER, QUICKIE			
					.XXX±.0020/.XXX±.051				SEA, HORSE, RIGHT ANGLE			
					angles	0°±2°			product family			
					dr	J. SHREINER	1/16/90		INCH/MM		QUICKIE	
				enr	M. SMYK	1/16/90	scale		code			
				chr	M. SMYK	1/16/90	5:1		-			
				appd	M. SMYK	1/16/90	A		sheet			
sheet index		revision sheet		size		dwg no		65823		12 of 21		
21												



	SIZE	LATCHES NOTE 7	PIN SHAPE	DIM A	DIM B	DIM C	DIM D	DIM E	TERMINAL PLATING NOTE 12	STYLE
65823-325 (LF)	2x5	LP	RND	1.260/32.00	.400/10.16	.720/18.29	.105/2.67	.86/21.8	15u"/.38u Au DVER 50u"/1.27u Ni	A
-326 (LF)	2x7			1.460/37.08	.600/15.24	.920/23.37		1.06/26.9		C
-327 (LF)	2x8			1.560/39.62	.700/17.78	1.020/25.91		1.16/29.4		D
-328 (LF)	2x10			1.760/44.70	.900/22.86	1.220/30.99		1.36/34.5		
-329 (LF)	2x13			2.060/52.32	1.200/30.48	1.520/38.61		1.66/42.1		
-330 (LF)	2x17			2.460/62.48	1.600/40.64	1.920/48.77		2.06/52.3		
-331 (LF)	2x20			2.760/70.10	1.900/48.26	2.220/56.39		2.36/59.9		
-332 (LF)	2x25			3.260/82.80	2.400/60.96	2.720/69.09		2.86/72.6		
-333 (LF)	2x30			3.760/95.50	2.900/73.66	3.220/81.79	.105/2.67	3.36/85.3		D
-334 (LF)	2x5			1.260/32.00	.400/10.16	.720/18.29	.150/3.81	.86/21.8		A
-335 (LF)	2x7			1.460/37.08	.600/15.24	.920/23.37		1.06/26.9		C
-336 (LF)	2x8			1.560/39.62	.700/17.78	1.020/25.91		1.16/29.4		D
-337 (LF)	2x10			1.760/44.70	.900/22.86	1.220/30.99		1.36/34.5		
-338 (LF)	2x13			2.060/52.32	1.200/30.48	1.520/38.61		1.66/42.1		
-339 (LF)	2x17			2.460/62.48	1.600/40.64	1.920/48.77		2.06/52.3		
-340 (LF)	2x20			2.760/70.10	1.900/48.26	2.220/56.39		2.36/59.9		
-341 (LF)	2x25			3.260/82.80	2.400/60.96	2.720/69.09		2.86/72.6		
-342 (LF)	2x30		RND	3.760/95.50	2.900/73.66	3.220/81.79	.150/3.81	3.36/85.3		D
-343 (LF)	2x5		SQ	1.260/32.00	.400/10.16	.720/18.29	.675/17.15	.86/21.8		A
-344 (LF)	2x7			1.460/37.08	.600/15.24	.920/23.37		1.06/26.9		C
-345 (LF)	2x8			1.560/39.62	.700/17.78	1.020/25.91		1.16/29.4		D
-346 (LF)	2x10			1.760/44.70	.900/22.86	1.220/30.99		1.36/34.5		
-347 (LF)	2x13			2.060/52.32	1.200/30.48	1.520/38.61		1.66/42.1		
-348 (LF)	2x17			2.460/62.48	1.600/40.64	1.920/48.77		2.06/52.3		
-349 (LF)	2x20			2.760/70.10	1.900/48.26	2.220/56.39		2.36/59.9		
-350 (LF)	2x25			3.260/82.80	2.400/60.96	2.720/69.09		2.86/72.6		
-351 (LF)	2x30	LP	SQ	3.760/95.50	2.900/73.66	3.220/81.79	.675/17.15	3.36/85.3	15u"/.38u Au DVER 50u"/1.27u Ni	
-352 (LF)	2x25	66258	RND	3.260/82.80	2.400/60.96	2.720/69.09	.105/2.67	2.86/72.6	30u"/.76u Au DVER 50u"/1.27u Ni	D
-353 (LF)	2x7	ND		1.460/37.08	.600/15.24	.920/23.37		1.06/26.9		C
-354 (LF)	2x8			1.560/39.62	.700/17.78	1.020/25.91		1.16/29.4		D
-355 (LF)	2x10			1.760/44.70	.900/22.86	1.220/30.99		1.36/34.5		
-356 (LF)	2x13			2.060/52.32	1.200/30.48	1.520/38.61		1.66/42.1		
-357 (LF)	2x17			2.460/62.48	1.600/40.64	1.920/48.77		2.06/52.3		
-358 (LF)	2x20			2.760/70.10	1.900/48.26	2.220/56.39		2.36/59.9		
-359 (LF)	2x25			3.260/82.80	2.400/60.96	2.720/69.09		2.86/72.6		
65823-360 (LF)	2x30	ND	RND	3.760/95.50	2.900/73.66	3.220/81.79	.105/2.67	3.36/85.3	30u"/.76u Au DVER 50u"/1.27u Ni	D

*CUSTOMER SPECIAL

mat'l. code				tolerances unless otherwise specified				CUSTOMER COPY		 www.fciconnect.com	
ltr	ecn no	dr	date	linear	.XX±.01/.X±.3			projection	title		
AF					.XXX±.005/.XX±.13				HEADER, QUICKIE		
					.XXX±.0020/.XXX±.051				SEA, HORSE, RIGHT ANGLE		
					0°±2°				product family QUICKIE		
				angles	0°±2°			INCH/MM	code		
				dr	J. SHREINER	1/16/90			size		
				enr	M. SMYK	1/16/90			dwg no		
				chr	M. SMYK	1/16/90			sheet		
				appd	M. SMYK	1/16/90		scale	13 of 21		
								5:1	65823		
sheet index	21	revision sheet									

Tous droits strictement reserves. Reproduction ou communication a des tiers interdite sous quelque forme que ce soit sans autorisation écrite du propriétaire. Propriete de c FCI. Droits de reproduction FCI.



All rights strictly reserved. Reproduction or issue to third parties in any form whatever is not permitted without written authority from the proprietor. Property of FCI. Copyright FCI.

	SIZE	LATCHES NOTE 7	PIN SHAPE	DIM A	DIM B	DIM C	DIM D	DIM E	TERMINAL PLATING NOTE 12	STYLE
65823-361(LF)	2x5	ND	RND	1.260/32.00	.400/10.16	.720/18.29	.105/2.67	.86/21.8	30u"/.76u Au OVER 50u"/.1.27u Ni	A
-362(LF)		ND	RND						30u"/.76u Au OVER 50u"/.1.27u Ni	B
-363(LF)		ND	RND						15"/.38u Au OVER 50u"/.1.27u Ni	
-364(LF)		ND	RND						30u"/.76u GXT/GOLD FLASH	
-365(LF)		ND	SQ						150u"/3.81u Sn	
-366(LF)		STD	RND						30u"/.76u Au OVER 50u"/.1.27u Ni	
-367(LF)		STD	RND						15"/.38u Au OVER 50u"/.1.27u Ni	
-368(LF)		STD	RND						30u"/.76u GXT/GOLD FLASH	
-369(LF)		STD	SQ						150u"/3.81u Sn	
-370(LF)		LP	RND						30u"/.76u Au OVER 50u"/.1.27u Ni	
-371(LF)		LP	RND						15"/.38u Au OVER 50u"/.1.27u Ni	
-372(LF)		LP	RND						30u"/.76u GXT/GOLD FLASH	
-373(LF)		LP	SQ				.105/2.67		150u"/3.81u Sn	
-374(LF)		ND	RND				.150/3.81		30u"/.76u Au OVER 50u"/.1.27u Ni	
-375(LF)		ND	RND						15"/.38u Au OVER 50u"/.1.27u Ni	
-376(LF)		ND	RND						30u"/.76u GXT/GOLD FLASH	
-377(LF)		ND	SQ						150u"/3.81u Sn	
-378(LF)		STD	RND						30u"/.76u Au OVER 50u"/.1.27u Ni	
-379(LF)		STD	RND						15"/.38u Au OVER 50u"/.1.27u Ni	
-380(LF)		STD	RND						30u"/.76u GXT/GOLD FLASH	
-381(LF)		STD	SQ						150u"/3.81u Sn	
-382(LF)		LP	RND						30u"/.76u Au OVER 50u"/.1.27u Ni	
-383(LF)		LP	RND						15"/.38u Au OVER 50u"/.1.27u Ni	
-384(LF)		LP	RND						30u"/.76u GXT/GOLD FLASH	
-385(LF)		LP	SQ				.150/3.81		150u"/3.81u Sn	
-386(LF)		ND	SQ				.675/17.15		30u"/.76u Au OVER 50u"/.1.27u Ni	
-387(LF)		ND							15"/.38u Au OVER 50u"/.1.27u Ni	
-388(LF)		ND							30u"/.76u GXT/GOLD FLASH	
-389(LF)		ND							150u"/3.81u Sn	
-390(LF)		STD							30u"/.76u Au OVER 50u"/.1.27u Ni	
-391(LF)		STD							15"/.38u Au OVER 50u"/.1.27u Ni	
-392(LF)		STD							30u"/.76u GXT/GOLD FLASH	
-393(LF)		STD							150u"/3.81u Sn	
-394(LF)		LP							30u"/.76u Au OVER 50u"/.1.27u Ni	
-395(LF)		LP							15"/.38u Au OVER 50u"/.1.27u Ni	
65823-396(LF)	2x5	LP	SQ	1.260/32.00	.400/10.16	.720/18.29	.675/17.15	.86/21.8	30u"/.76u GXT/GOLD FLASH	B

*

*CUSTOMER SPECIAL

mat'l. code				tolerances unless otherwise specified				CUSTOMER COPY		FCI www.fciconnect.com		
ltr	ecn no	dr	date	linear	.XX±.01/.X±.3			projection 	title			
AF					.XXX±.005/.XX±.13				HEADER, QUICKIE			
					.XXX±.0020/.XXX±.051				SEA, HORSE, RIGHT ANGLE			
					angles	0°±2°			product family			
					dr	J. SHREINER	1/16/90		INCH/MM		QUICKIE	
				enr	M. SMYK	1/16/90	scale		code			
				chr	M. SMYK	1/16/90	5:1		-			
				appd	M. SMYK	1/16/90	A		sheet			
sheet index		revision sheet		size		dwg no		65823		14 of 21		
21												

Tous droits strictement reserves. Reproduction ou communication a des tiers interdite sous quelque forme que ce soit sans autorisation ecrite du propriétaire. Propriete de c FCI. Droits de reproduction FCI.



All rights strictly reserved. Reproduction or issue to third parties in any form whatever is not permitted without written authority from the proprietor. Property of FCI. Copyright FCI.

	SIZE	LATCHES NOTE 7	PIN SHAPE	DIM A	DIM B	DIM C	DIM D	DIM E	TERMINAL PLATING NOTE 12	STYLE
65823-397(LF)	2x5	LP	SQ	1.260/32.00	.400/10.16	.720/18.29	.675/17.15	.86/21.8	150u"/3.81u Sn	B
-398(LF)	2x10	66258-001	RND	1.760/44.70	.900/22.86	1.220/30.99	.105/2.67	1.36/34.5	30u"/.76u Au OVER 50u"/1.27u Ni	D
-399(LF)	2x5	ND	SQ	1.260/32.00	.400/10.16	.720/18.29	.105/2.67	.86/21.8	15u"/.38u Au OVER 50u"/1.27u Ni	A
-400(LF)		STD					.105/2.67			
-401(LF)		LP					.105/2.67			
-402(LF)		ND					.150/3.81			
-403(LF)		STD					.150/3.81			
-404(LF)		LP					.150/3.81			A
-405(LF)		ND					.105/2.67			B
-406(LF)		STD					.105/2.67			
-407(LF)		LP					.105/2.67			
-408(LF)		ND					.150/3.81			
-409(LF)		STD					.150/3.81			
-410(LF)	2x5	LP		1.260/32.00	.400/10.16	.720/18.29	.150/3.81	.86/21.8		B
-411(LF)	2x7	ND		1.460/37.08	.600/15.24	.920/23.37	.105/2.67	1.06/26.9		C
-412(LF)		STD					.105/2.67			
-413(LF)		LP					.105/2.67			
-414(LF)		ND					.150/3.81			
-415(LF)		STD					.150/3.81			
-416(LF)	2x7	LP		1.460/37.08	.600/15.24	.920/23.37	.150/3.81	1.06/26.9		C
-417(LF)	2x8	ND		1.560/39.62	.700/17.78	1.020/25.91	.105/2.67	1.16/29.4		D
-418(LF)		STD					.105/2.67			
-419(LF)		LP					.105/2.67			
-420(LF)		ND					.150/3.81			
-421(LF)		STD					.150/3.81			
-422(LF)	2x8	LP		1.560/39.62	.700/17.78	1.020/25.91	.150/3.81	1.16/29.4		
-423(LF)	2x10	ND		1.760/44.70	.900/22.86	1.220/30.99	.105/2.67	1.36/34.5		
-424(LF)		STD					.105/2.67			
-425(LF)		LP					.105/2.67			
-426(LF)		ND					.150/3.81			
-427(LF)		STD					.150/3.81			
-428(LF)	2x10	LP		1.760/44.70	.900/22.86	1.220/30.99	.150/3.81	1.36/34.5		
-429(LF)	2x13	ND		2.060/52.32	1.200/30.48	1.520/38.61	.105/2.67	1.66/42.1		
-430(LF)		STD					.105/2.67			
-431(LF)		LP					.105/2.67			
65823-432(LF)	2x13	ND	SQ	2.060/52.32	1.200/30.48	1.520/38.61	.150/3.81	1.66/42.1	15u"/.38u Au OVER 50u"/1.27u Ni	D

mat'l. code				tolerances unless otherwise specified				CUSTOMER COPY		FCI www.fciconnect.com	
ltr	ecn no	dr	date	linear	.XX±.01/.X±.3			projection 	title		
AF					.XXX±.005/.XX±.13				HEADER, QUICKIE		
					.XXX±.0020/.XXX±.051				SEA, HORSE, RIGHT ANGLE		
				angles	0°±2°			INCH/MM ←→	product family		code
				dr	J. SHREINER	1/16/90			QUICKIE		-
				enr	M. SMYK	1/16/90		size		dwg no	
				chr	M. SMYK	1/16/90		scale	A		sheet
				appd	M. SMYK	1/16/90			5:1		15 of 21
sheet index		revision sheet									
21											



	SIZE	LATCHES NOTE 7	PIN SHAPE	DIM A	DIM B	DIM C	DIM D	DIM E	TERMINAL PLATING NOTE 12	STYLE
65823-433(LF)	2x13	STD	SQ	2.060/52.32	1.200/30.48	1.520/38.61	.150/3.81	1.66/42.1	15u" / .38u Au OVER 50u" / 1.27u Ni	D
-434(LF)	2x13	LP		2.060/52.32	1.200/30.48	1.520/38.61	.150/3.81	1.66/42.1		
-435(LF)	2x17	ND		2.460/62.48	1.600/40.64	1.920/48.77	.105/2.67	2.06/52.3		
-436(LF)		STD					.105/2.67			
-437(LF)		LP					.105/2.67			
-438(LF)		ND					.150/3.81			
-439(LF)		STD					.150/3.81			
-440(LF)	2x17	LP		2.460/62.48	1.600/40.64	1.920/48.77	.150/3.81	2.06/52.3		
-441(LF)	2x20	ND		2.760/70.10	1.900/48.26	2.220/56.39	.105/2.67	2.36/59.9		
-442(LF)		STD					.105/2.67			
-443(LF)		LP					.105/2.67			
-444(LF)		ND					.150/3.81			
-445(LF)		STD					.150/3.81			
-446(LF)	2x20	LP		2.760/70.10	1.900/48.26	2.220/56.39	.150/3.81	2.36/59.9		
-447(LF)	2x25	ND		3.260/82.80	2.400/60.96	2.720/69.09	.105/2.67	2.86/72.6		
-448(LF)		STD					.105/2.67			
-449(LF)		LP					.105/2.67			
-450(LF)		ND					.150/3.81			
-451(LF)		STD					.150/3.81			
-452(LF)	2x25	LP		3.260/82.80	2.400/60.96	2.720/69.09	.150/3.81	2.86/72.6		
-453(LF)	2x30	ND		3.760/95.50	2.900/73.66	3.220/81.79	.105/2.67	3.36/85.3		
-454(LF)		STD					.105/2.67			
-455(LF)		LP					.105/2.67			
-456(LF)		ND					.150/3.81			
-457(LF)		STD					.150/3.81			
-458(LF)	2x30	LP	SQ	3.760/95.50	2.900/73.66	3.220/81.79	.150/3.81	3.36/85.3		
-459(LF)	2x12	ND	RND	1.960/49.80	1.100/27.94	1.420/36.07	.105/2.67	1.56/39.6		
-460(LF)		STD								
-461(LF)		LP							15u" / .38u Au OVER 50u" / 1.27u Ni	
-462(LF)		ND							30u" / .76u Au OVER 50u" / 1.27u Ni	
-463(LF)		STD							30u" / .76u Au OVER 50u" / 1.27u Ni	
-464(LF)		LP							30u" / .76u Au OVER 50u" / 1.27u Ni	
-465(LF)		ND							30u" / .76u GXT/GOLD FLASH	
-466(LF)		STD							30u" / .76u GXT/GOLD FLASH	
-467(LF)		LP	RND						30u" / .76u GXT/GOLD FLASH	
65823-468(LF)	2x12	ND	SQ	1.960/49.80	1.100/27.94	1.420/36.07	.105/2.67	1.56/39.6	150u" / 3.81u Sn	D

mat'l. code				tolerances unless otherwise specified		CUSTOMER COPY		FCI www.fciconnect.com		
ltr	ecn no	dr	date	linear	.XX±.01/.X±.3		projection ⊕	title HEADER, QUICKIE		
AF					.XXX±.005/.XX±.13			SEA, HORSE, RIGHT ANGLE		
					.XXX±.0020/.XXX±.051			product family QUICKIE		
				angles	0°±2°		INCH/MM ←→	code -		
				dr	J. SHREINER	1/16/90		scale 5:1	product size A	
				enr	M. SMYK	1/16/90			sheet 16 of 21	
				chr	M. SMYK	1/16/90				
				appd	M. SMYK	1/16/90				
sheet index		revision sheet								
21										

Tous droits strictement reserves. Reproduction ou communication a des tiers interalite sous quelque forme que ce soit sans autorisation ecrite du propriétaire. Propriete de c FCI. Droits de reproduction FCI.



All rights strictly reserved. Reproduction or issue to third parties in any form whatever is not permitted without written authority from the proprietor. Property of FCI. Copyright FCI.

	SIZE	LATCHES NOTE 7	PIN SHAPE	DIM A	DIM B	DIM C	DIM D	DIM E	TERMINAL PLATING NOTE 12	STYLE
65823-469(LF)	2x12	STD	SQ	1.960/49.80	1.100/27.94	1.420/36.07	.105/2.67	1.56/39.62	150u"/3.81u TIN	D
-470(LF)		LP	SQ				.105/2.67		150u"/3.81u TIN	
-471(LF)		ND	RND				.150/3.81		15u"/.38u Au OVER 50u"/1.27u Ni	
-472(LF)		STD							15u"/.38u Au OVER 50u"/1.27u Ni	
-473(LF)		LP							15u"/.38u Au OVER 50u"/1.27u Ni	
-474(LF)		ND							30u"/.76u Au OVER 50u"/1.27u Ni	
-475(LF)		STD							30u"/.76u Au OVER 50u"/1.27u Ni	
-476(LF)		LP							30u"/.76u Au OVER 50u"/1.27u Ni	
-477(LF)		ND							30u"/.76u GXT/GOLD FLASH	
-478(LF)		STD							30u"/.76u GXT/GOLD FLASH	
-479(LF)		LP	RND						30u"/.76u GXT/GOLD FLASH	
-480(LF)		ND	SQ						150u"/3.81u TIN	
-481(LF)		STD							150u"/3.81u TIN	
-482(LF)		LP					.150/3.81		150u"/3.81u TIN	
-483(LF)		ND					.105/2.67		15u"/.38u Au OVER 50u"/1.27u Ni	
-484(LF)		STD							15u"/.38u Au OVER 50u"/1.27u Ni	
-485(LF)		LP							15u"/.38u Au OVER 50u"/1.27u Ni	
-486(LF)		ND							30u"/.76u Au OVER 50u"/1.27u Ni	
-487(LF)		STD							30u"/.76u Au OVER 50u"/1.27u Ni	
-488(LF)		LP							30u"/.76u Au OVER 50u"/1.27u Ni	
-489(LF)		ND							15u"/.38u Au OVER 50u"/1.27u Ni	
-490(LF)		STD							15u"/.38u Au OVER 50u"/1.27u Ni	
-491(LF)		LP					.105/2.67		15u"/.38u Au OVER 50u"/1.27u Ni	
-492(LF)		ND					.675/17.15		15u"/.38u Au OVER 50u"/1.27u Ni	
-493(LF)		STD							15u"/.38u Au OVER 50u"/1.27u Ni	
-494(LF)		LP							15u"/.38u Au OVER 50u"/1.27u Ni	
-495(LF)		ND							30u"/.76u Au OVER 50u"/1.27u Ni	
-496(LF)		STD							30u"/.76u Au OVER 50u"/1.27u Ni	
-497(LF)		LP							30u"/.76u Au OVER 50u"/1.27u Ni	
-498(LF)		ND							30u"/.76u GXT/GOLD FLASH	
-499(LF)		STD							30u"/.76u GXT/GOLD FLASH	
-500(LF)		LP							30u"/.76u GXT/GOLD FLASH	
-501(LF)		ND							150u"/3.81u TIN	
-502(LF)		STD							150u"/3.81u TIN	
-503(LF)	2x12	LP	SQ	1.960/49.80	1.100/27.94	1.420/36.07	.675/17.15	1.56/39.62	150u"/3.81u TIN	
65823-504(LF)	2x15	ND	RND	2.260/57.40	1.400/35.56	1.720/43.69	.105/2.67	1.86/47.24	15u"/.38u Au OVER 50u"/1.27u Ni	D

mat'l. code		tolerances unless otherwise specified		CUSTOMER COPY		FCI www.fciconnect.com	
ltr	ecn no	dr	date	linear	.XX±.01/.X±.3	projection	title
AF					.XXX±.005/.XX±.13		HEADER, QUICKIE
				angles	.XXX±.0020/.XXX±.051		SEA, HORSE, RIGHT ANGLE
				dr	J. SHREINER 1/16/90	INCH/MM	product family
				enr	M. SMYK 1/16/90		QUICKIE
				chr	M. SMYK 1/16/90		code
				appd	M. SMYK 1/16/90		—
						scale	size
						5:1	65823
							sheet
							17 of 21

sheet index	revision sheet
21	

Tous droits strictement reserves. Reproduction ou communication a des tiers interdite sous quelque forme que ce soit sans autorisation ecrite du propriétaire. Propriete de c FCI. Droits de reproduction FCI.



All rights strictly reserved. Reproduction or issue to third parties in any form whatever is not permitted without written authority from the proprietor. Property of FCI. Copyright FCI.

	SIZE	LATCHES NOTE 7	PIN SHAPE	DIM A	DIM B	DIM C	DIM D	DIM E	TERMINAL PLATING NOTE 12	STYLE
65823-505(LF)	2x15	STD	RND	2.260/57.40	1.400/35.56	1.720/43.69	.105/2.67	1.86/47.2	15u"/.38u Au OVER 50u"/1.27u Ni	D
-506(LF)		LP							15u"/.38u Au OVER 50u"/1.27u Ni	
-507(LF)		ND							30u"/.76u Au OVER 50u"/1.27u Ni	
-508(LF)		STD							30u"/.76u Au OVER 50u"/1.27u Ni	
-509(LF)		LP							30u"/.76u Au OVER 50u"/1.27u Ni	
-510(LF)		ND							30u"/.76u GXT GOLD FLASH	
-511(LF)		STD							30u"/.76u GXT GOLD FLASH	
-512(LF)		LP	RND						30u"/.76u GXT GOLD FLASH	
-513(LF)		ND	SQ						150u"/3.81u TIN	
-514(LF)		STD	SQ						150u"/3.81u TIN	
-515(LF)		LP	SQ				.105/2.67		150u"/3.81u TIN	
-516(LF)		ND	RND				.150/3.81		15u"/.38u Au OVER 50u"/1.27u Ni	
-517(LF)		STD							15u"/.38u Au OVER 50u"/1.27u Ni	
-518(LF)		LP							15u"/.38u Au OVER 50u"/1.27u Ni	
-519(LF)		ND							30u"/.76u Au OVER 50u"/1.27u Ni	
-520(LF)		STD							30u"/.76u Au OVER 50u"/1.27u Ni	
-521(LF)		LP							30u"/.76u Au OVER 50u"/1.27u Ni	
-522(LF)		ND							30u"/.76u GXT GOLD FLASH	
-523(LF)		STD							30u"/.76u GXT GOLD FLASH	
-524(LF)		LP	RND						30u"/.76u GXT GOLD FLASH	
-525(LF)		ND	SQ						150u"/3.81u TIN	
-526(LF)		STD							150u"/3.81u TIN	
-527(LF)		LP					.150/3.81		150u"/3.81u TIN	
-528(LF)		ND					.105/2.67		15u"/.38u Au OVER 50u"/1.27u Ni	
-529(LF)		STD							15u"/.38u Au OVER 50u"/1.27u Ni	
-530(LF)		LP							15u"/.38u Au OVER 50u"/1.27u Ni	
-531(LF)		ND							30u"/.76u Au OVER 50u"/1.27u Ni	
-532(LF)		STD							30u"/.76u Au OVER 50u"/1.27u Ni	
-533(LF)		LP					.105/2.67		30u"/.76u Au OVER 50u"/1.27u Ni	
-534(LF)		ND					.150/3.81		15u"/.38u Au OVER 50u"/1.27u Ni	
-535(LF)		STD					.150/3.81		15u"/.38u Au OVER 50u"/1.27u Ni	
-536(LF)		LP					.150/3.81		15u"/.38u Au OVER 50u"/1.27u Ni	
-537(LF)		ND					.675/17.15		15u"/.38u Au OVER 50u"/1.27u Ni	
-538(LF)		STD							15u"/.38u Au OVER 50u"/1.27u Ni	
-539(LF)		LP							15u"/.38u Au OVER 50u"/1.27u Ni	
65823-540(LF)	2x15	ND	SQ	2.260/57.40	1.400/35.56	1.720/43.69	.675/17.15	1.86/47.2	30u"/.76u Au OVER 50u"/1.27u Ni	D

mat'l. code				tolerances unless otherwise specified				CUSTOMER COPY		 www.fciconnect.com		
ltr	ecn no	dr	date	linear	.XX±.01/.X±.3			projection			title HEADER, QUICKIE SEA, HORSE, RIGHT ANGLE	
AF					.XXX±.005/.XX±.13							
				angles	.XXX±.0020/.XXX±.051			INCH/MM	product family QUICKIE		code -	
					0±2'							
				dr	J. SHREINER	1/16/90	scale	5:1	A	size 65823		sheet 18 of 21
				enr	M. SMYK	1/16/90						
				chr	M. SMYK	1/16/90						
				appd	M. SMYK	1/16/90						
21	sheet index	revision sheet										



	SIZE	LATCHES NOTE 7	PIN SHAPE	DIM A	DIM B	DIM C	DIM D	DIM E	TERMINAL PLATING NOTE 12	STYLE
65823-541(LF)	2x15	STD	SQ	2.260/57.40	1.400/35.56	1.720/48.69	.675/17.15	1.86/47.2	30u" / .76u Au OVER 50u" / 1.27u Ni	D
-542(LF)		LP							30u" / .76u Au OVER 50u" / 1.27u Ni	
-543(LF)		ND							30u" / .76u GXT/GOLD FLASH	
-544(LF)		STD							30u" / .76u GXT/GOLD FLASH	
-545(LF)		LP							30u" / .76u GXT/GOLD FLASH	
-546(LF)		ND							150u" / 3.81u TIN	
-547(LF)		STD							150u" / 3.81u TIN	
-548(LF)	2x15	LP	SQ	2.260/57.40	1.400/35.56	1.720/43.69	.675/17.15	1.86/47.2	150u" / 3.81u TIN	
-549(LF)	2x22	ND	RND	2.960/75.20	2.100/53.34	2.420/61.47	.105/2.67	2.56/65.0	15u" / .38u Au OVER 50u" / 1.27u Ni	
-550(LF)		STD							15u" / .38u Au OVER 50u" / 1.27u Ni	
-551(LF)		LP							15u" / .38u Au OVER 50u" / 1.27u Ni	
-552(LF)		ND							30u" / .76u Au OVER 50u" / 1.27u Ni	
-553(LF)		STD							30u" / .76u Au OVER 50u" / 1.27u Ni	
-554(LF)		LP							30u" / .76u Au OVER 50u" / 1.27u Ni	
-555(LF)		ND							30u" / .76u GXT/GOLD FLASH	
-556(LF)		STD							30u" / .76u GXT/GOLD FLASH	
-557(LF)		LP	RND						30u" / .76u GXT/GOLD FLASH	
-558(LF)		ND	SQ						150u" / 3.81u TIN	
-559(LF)		STD	SQ						150u" / 3.81u TIN	
-560(LF)		LP	SQ				.105/2.67		150u" / 3.81u TIN	
-561(LF)		ND	RND				.150/3.81		15u" / .38u Au OVER 50u" / 1.27u Ni	
-562(LF)		STD							15u" / .38u Au OVER 50u" / 1.27u Ni	
-563(LF)		LP							15u" / .38u Au OVER 50u" / 1.27u Ni	
-564(LF)		ND							30u" / .76u Au OVER 50u" / 1.27u Ni	
-565(LF)		STD							30u" / .76u Au OVER 50u" / 1.27u Ni	
-566(LF)		LP							30u" / .76u Au OVER 50u" / 1.27u Ni	
-567(LF)		ND							30u" / .76u GXT/GOLD FLASH	
-568(LF)		STD							30u" / .76u GXT/GOLD FLASH	
-569(LF)		LP	RND						30u" / .76u GXT/GOLD FLASH	
-570(LF)		ND	SQ						150u" / 3.81u TIN	
-571(LF)		STD							150u" / 3.81u TIN	
-572(LF)		LP					.150/3.81		150u" / 3.81u TIN	
-573(LF)		ND					.105/2.67		15u" / .38u Au OVER 50u" / 1.27u Ni	
-574(LF)		STD							15u" / .38u Au OVER 50u" / 1.27u Ni	
-575(LF)		LP							15u" / .38u Au OVER 50u" / 1.27u Ni	
65823-576(LF)	2x22	ND	SQ	2.960/75.20	2.100/53.34	2.420/61.47	.105/2.67	2.56/65.0	30u" / .76u Au OVER 50u" / 1.27u Ni	D

mat'l. code				tolerances unless otherwise specified		CUSTOMER COPY	 www.fciconnect.com
ltr	ecn no	dr	date	linear	.XX±.01/.X±.3	projection	
AF					.XXX±.005/.XX±.13	 INCH/MM	title
				angles	.XXX±.0020/.XXX±.051		SEA, HORSE, RIGHT ANGLE
				dr	J. SHREINER 1/16/90	scale 5:1	product family
				enr	M. SMYK 1/16/90		QUICKIE
				chr	M. SMYK 1/16/90		code
				appd	M. SMYK 1/16/90		-
sheet index	revision sheet						size A
21							dwg no 65823
							sheet 19 of 21

Tous droits strictement reserves. Reproduction ou communication a des tiers interdite sous quelque forme que ce soit sans autorisation ecrite du propriétaire. Propriete de c FCI. Droits de reproduction FCI.

All rights strictly reserved. Reproduction or issue to third parties in any form whatever is not permitted without written authority from the proprietor. Property of FCI. Copyright FCI.



	SIZE	LATCHES NOTE 7	PIN SHAPE	DIM A	DIM B	DIM C	DIM D	DIM F	TERMINAL PLATING NOTE 12	STYLE
65823-609 (LF)	2X5	-	RND	32.00	10.16	18.29	2.67	7.24	50u"/1.27 u Au OVER 50u"/1.27u Ni	A
-610 (LF)	2X5	-	↑	32.00	10.16	18.29	↑	↑	↑	B
-611 (LF)	2X7	-	↑	37.00	15.24	23.37	↑	↑	↑	C
-612 (LF)	2X8	-	↑	39.60	17.18	25.91	↑	↑	↑	D
-613 (LF)	2X10	-	↑	44.70	22.86	30.99	↑	↑	↑	↑
-614 (LF)	2X13	-	↑	52.30	30.48	38.61	↑	↑	↑	↑
-615 (LF)	2X17	-	↑	62.40	40.64	48.77	↑	↑	↑	↑
-616 (LF)	2X20	-	↑	70.10	48.26	56.39	↑	↑	↑	↓
-617 (LF)	2X25	-	↑	82.80	60.96	69.09	↑	↑	↑	↓
-618 (LF)	2X30	-	↑	95.50	76.66	81.79	↑	↑	↑	D
-619 (LF)	2X5	STD	↑	32.00	10.16	18.29	↑	↑	↑	A
-620 (LF)	2X3	↑	↑	32.00	10.16	18.29	↑	↑	↑	B
-621 (LF)	2X7	↑	↑	37.00	15.24	23.37	↑	↑	↑	C
-622 (LF)	2X8	↑	↑	39.60	17.18	25.91	↑	↑	↑	D
-623 (LF)	2X10	↑	↑	44.70	22.86	30.99	↑	↑	↑	↑
-624 (LF)	2X13	↑	↑	52.30	30.48	38.61	↑	↑	↑	↑
-625 (LF)	2X17	↑	↑	62.40	40.64	48.77	↑	↑	↑	↑
-626 (LF)	2X20	↑	↑	70.10	48.26	56.39	↑	↑	↑	↑
-627 (LF)	2X25	↑	↑	82.80	60.96	69.09	↑	↑	↑	↑
-628 (LF)	2X30	STD	RND	95.50	76.66	81.79	2.67	7.24	50u"/1.27 u Au OVER 50u"/1.27u Ni	D

mat'l. code				tolerances unless otherwise specified			CUSTOMER COPY		FCI www.fciconnect.com	
ltr	ecn no	dr	date	linear	.XX±.01/.X±.3		projection ⊕	title HEADER, QUICKIE SEA, HORSE, RIGHT ANGLE		
AF					.XXX±.005/.XX±.13					
					.XXX±.0020/.XXX±.051					
				angles	0°±2°		INCH/MM ↔	product family QUICKIE		code
				dr	J. SHREINER	1/16/90		size/ dwg no		-
				enr	M. SMYK	1/16/90		A 65823		sheet
				chr	M. SMYK	1/16/90	scale 5:1		21 of 21	
				appd	M. SMYK	1/16/90				
sheet index		revision sheet								
21										

X-ON Electronics

Largest Supplier of Electrical and Electronic Components

Click to view similar products for [Headers & Wire Housings](#) category:

Click to view products by [Amphenol](#) manufacturer:

Other Similar products are found below :

[95000-104TRLF](#) [10135584-644402LF](#) [DF62W-EP2022PCA](#) [95000-106TRLF](#) [DF62W-2022SCA](#) [DF62W-EP2022PC](#) [2203348](#) [DF62W-2022SC](#) [1084018](#) [1029039](#) [1084017](#) [802-10-012-10-002000](#) [1112640](#) [1112639](#) [891-007-9SS-BST1T](#) [000-34000](#) [0008550134](#) [0009482033](#) [0009507031](#) [57102-F02-18ULF](#) [57102-S06-03LF](#) [57202-S52-04LF](#) [PCN6-15S-2.5E](#) [0039019024](#) [58102-G61-06LF](#) [582553-1](#) [0009485154](#) [0009508121](#) [0022285053](#) [0050291907](#) [018731A](#) [LY20-4P-DT1-P1E-BR](#) [02.125.8002.8](#) [60101931](#) [60598-1 \(Cut Strip\)](#) [M1625-3R/100](#) [61062-3](#) [61082-181009](#) [CSU011177004](#) [636-1427](#) [638009-1](#) [641938-9](#) [641991-4](#) [644168-1](#) [644827-2](#) [647662-1](#) [65039-019ELF](#) [65692-001LF](#) [65781-018](#) [65781-047](#)