

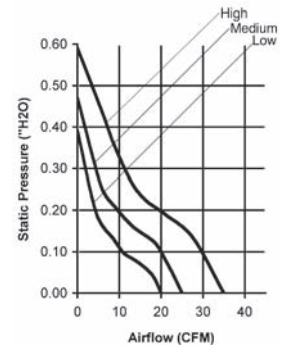
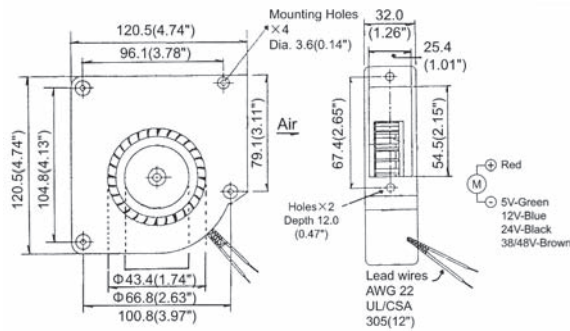
# DC BLOWERS



12, 24, 48V  
120x32mm (4.7" x 1.25")



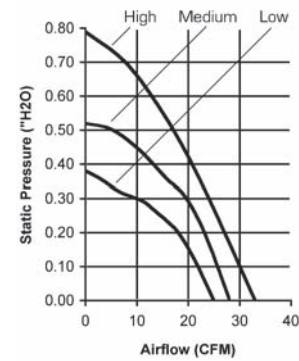
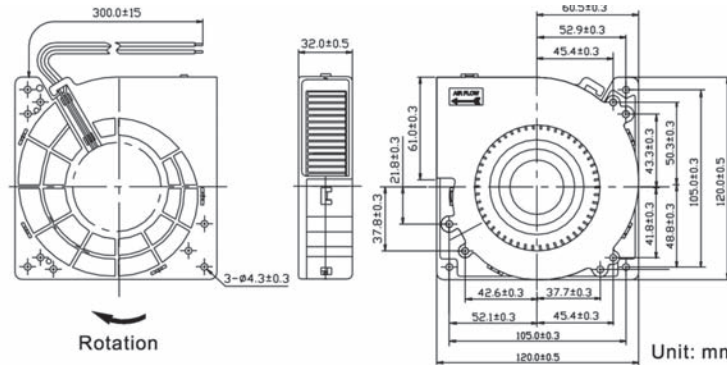
ODB600PT



MODEL NUMBER	SPEED (RPM)	AIRFLOW (CFM)	NOISE (dB)	VOLTS DC	VOLTAGE RANGE	AMPS	MAX. STATIC PRESSURE ("H <sub>2</sub> O)
ODB600PT-12HB	3000	35	49	12	8~14	0.60	0.59
ODB600PT-12MB	2500	25	42	12	8~14	0.47	0.47
ODB600PT-12LB	1800	20	30	12	8~14	0.20	0.39
ODB600PT-24HB	3000	35	49	24	10~29	0.37	0.59
ODB600PT-24MB	2500	25	42	24	10~29	0.30	0.47
ODB600PT-24LB	1800	20	30	24	10~29	0.20	0.39



ODB1232



Model Number	Speed (RPM)	Airflow (CFM)	Noise (dB)	Volts DC	Voltage Range	Amps	Max. Static Pressure ("H <sub>2</sub> O)
ODB1232-12HB	2600	33	55	12	6~14	0.79	0.92
ODB1232-12MB	2300	28	49	12	6~14	0.53	0.83
ODB1232-12LB	2100	25	48	12	6~14	0.41	0.66
ODB1232-24HB	2600	33	55	24	12~28	0.43	0.92
ODB1232-24MB	2300	28	49	24	12~28	0.36	0.83
ODB1232-24LB	2100	25	48	24	12~28	0.25	0.66
ODB1232-48HB	2600	33	55	48	24~55	0.22	0.92
ODB1232-48MB	2300	28	49	48	24~55	0.18	0.83
ODB1232-48LB	2100	25	48	48	24~55	0.16	0.66

**FRAME & IMPELLER**  
PBT, UL94V-0 Thermoplastic  
**POWER CONNECTION**  
Two lead wires 300mm (12")  
**LIFE EXPECTANCY (L10)**  
Ball Bearing 60,000 hrs  
Sleeve Bearing 30,000 hrs

**MOTOR**  
Brushless DC, polarity protected, locked rotor protected (current limited), auto restart  
**INSULATION RESISTANCE**  
Min. 10M at 500VDC  
**DIELECTRIC STRENGTH**  
1 minute at 500VAC / 1 second, max leakage 500 microamp

**OPERATING TEMPERATURE**  
Ball Bearing -20C ~ +80C  
Sleeve Bearing -10C ~ +50C

Knight Electronics, Inc.  
10557 Metric Drive  
Dallas, Texas 75243  
214-340-0265



Orion Fans  
Information and data is subject to change without prior notification.

## X-ON Electronics

Largest Supplier of Electrical and Electronic Components

*Click to view similar products for [Blowers](#) category:*

*Click to view products by [Orion](#) manufacturer:*

Other Similar products are found below :

[G2E120-CR21-13](#) [R2D160-AC02-13](#) [R2D220-AA24-13](#) [RLF35-812N2P-103](#) [KFB1724VHT-AF00](#) [D4E133-AA01-51](#) [D4E133-DH61-D1](#)  
[D4E180-BA04-18](#) [Z4.802.1680.0](#) [R3G280-AK54-01](#) [G3G120-BB13-02](#) [1398425-1](#) [R2D225-AV02-14](#) [D2E146-HT67-63](#) [BFB0524HH-R00](#)  
[R3G133-AE17-02](#) [D4E225-BC01-23](#) [R3G190-AB23-02](#) [RER101-36/14N/2HHA-184](#) [G3G160-AC70-01](#) [R3G250-AM70-01](#) [R2E160-AY47-](#)  
[10](#) [R2E180-AS77-40](#) [R87B-PF01](#) [R87F-A3A83H](#) [R87F-A4A15MP](#) [R87T-A6A07H](#) [MF50151VX-B00U-A99](#) [BFB0512HH-T50F](#)  
[BFB0712H](#) [109BD12HA2](#) [109BD24HD2](#) [109BF12MA2](#) [109BF12MC2](#) [109BF24HA2](#) [109BF24HC2](#) [109BD12MC2](#) [109BF12HA2](#)  
[109BF12HC2](#) [109BF24HD2](#) [R3G280-AF45-81](#) [BFB0724H-T500](#) [R87F-A3A15HP](#) [R87F-A4A93HP](#) [R87F-A3A93HP](#) [R2E140-AS77-05](#)  
[R2E180-AS77-22](#) [R2E180-CB28-01](#) [14539GA-12N-AA-00](#) [R87F-A1A85HP](#)