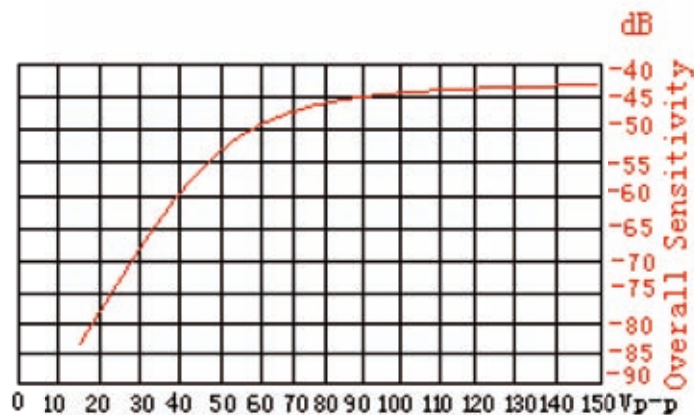
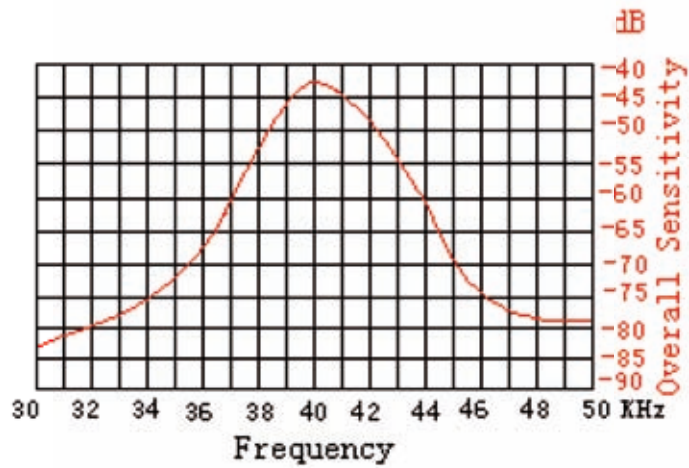
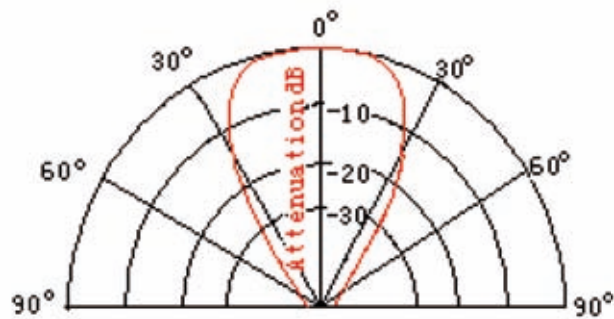


Part number identify:

C	40-----	16	L8	A40	X
(1)	(2)	(3)	(4)	(5)	(6)

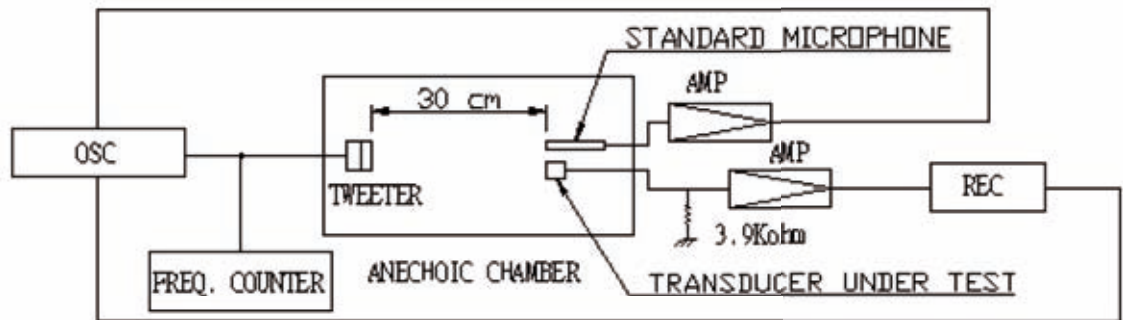
- (1): C: Combine transmitter and receiver in one unit.
- (2): 40: Cener Frequency : 40 ±1KHz
- (3): 16: Dia. =16mm.
- (4): L8: means long distance detecting type.
- (5): A40: Angle is 40 degree.
- (6): X : means package type. 1 is black plastic housing, 2 is aluminum housing.

5. Relative curve:

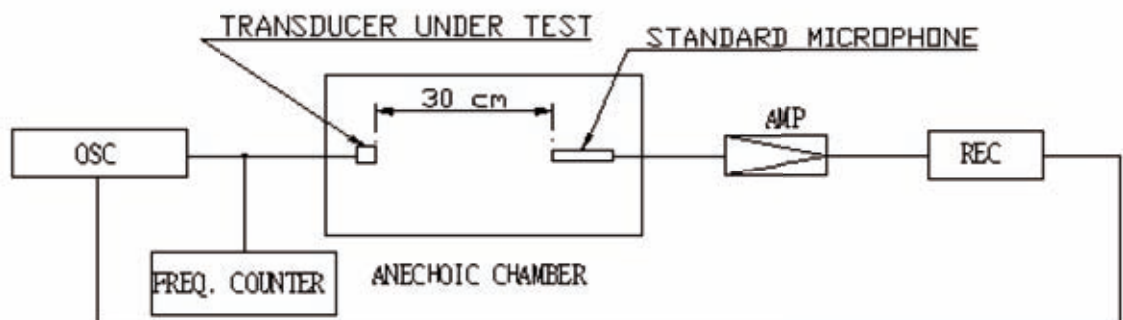


6. Test Circuits Diagram

a) Test Circuit Diagram for Receiving



b) Test Circuit Diagram for Transmitting



7. Environmental Characteristics

Item	Conditions	Variation of Sensitivity
Temperature Characteristics	-20~60°C	Within 10 dB
Hmidity	40±2°C, 85-90 %RH, 2Hrs	Within 5 dB
Shock	50G impact Directions : 3 perpendicular directions Times : 3 times	Within 5 dB
Vibration	Directions : 3 perpendicular Directions Times : 1000 times Single harmonic vibration a) Amplitude: 1.5mm b) Sweep Frequency : 10-50-10Hz with interval of 1 minute	Within 5 dB

X-ON Electronics

Largest Supplier of Electrical and Electronic Components

Click to view similar products for [Proximity Sensors](#) category:

Click to view products by [Sencera](#) manufacturer:

Other Similar products are found below :

[01.001.5653.1](#) [70.340.1028.0](#) [70.360.2428.0](#) [70.364.4828.0](#) [70.810.1053.0](#) [72.360.1628.0](#) [73.363.6428.0](#) [9221350022](#) [980659-1](#) [QT-12](#)
[E2EX10D1NN](#) [E2E-X14MD1-G](#) [E2E-X2D1-G](#) [E2EX2ME2N](#) [E2E-X3D1-N](#) [10M](#) [E2E-X4MD1-G](#) [E2FMX1R5D12M](#) [E2K-F10MC1](#) [5M](#)
[EI1204TBOSL-6](#) [EI5515NPAP](#) [BSA-08-25-08](#) [IC08ANC15PO-K](#) [IMM2582C](#) [25.161.3253.0](#) [25.332.0653.1](#) [25.352.0653.0](#) [25.352.0753.0](#)
[25.523.3253.0](#) [9151710023](#) [922FS1.5C-A4P-Z774](#) [SC606ABV0S30](#) [SM952A126100LE](#) [SM956A132600](#) [A1220EUA-T](#) [F3S-A162-U](#) [CL18](#)
[QT-08L](#) [34.110.0010.0](#) [TL-C2MF1-M3-E4](#) [IA08BLF15NOM5](#) [IA08BSF15NOM5](#) [IA12ASF04DOM1](#) [IMM32188C](#) [IS2](#) [IS31SE5000-](#)
[UTLS2-TR](#) [34.110.0021.0](#) [34.110.0022.0](#) [CA150-120VACDC](#) [VM18VA3000Q](#) [XS508BSCBL2](#)