



## Features:

- Design for LED driving circuit,
- Small Size with 28.2 (Length)\* 22.2mm (Width) \* 19.2mm (Height )
- Self adapting output voltage to suit for wide range Vf LED (Vf = 3..2V).
- Input voltage DC 7-24V / AC 7-21V
- Constant output current
- Output short circuit protection
- Self over temperature protection
- High conversion efficient (up to 90%)
- IP65 Design for indoor or outdoor installations.
- Weight 14g approximate

## Maximum Rating:

Parameter	Symbol	Value	Units
Supply Voltage	V <sub>in</sub>	24VDC/21VAC	V
Max Operation Current	I <sub>max</sub>	1	A
Operation Temperature Range	T <sub>op</sub>	-10 to 50	°C
Storage Temperature	T <sub>stg</sub>	-20 to 85	°C

## Electrical Characteristics -- DC (@TA=25°C):

PN.	Input (V)			Output (V) ** Note1 **		Constant Current (mA)
	Min	Typ	Max	Min	Max	
OECCDD01-300	7	--	24	3	21	300
OECCDD01-350	7	--	24	3	21	350
OECCDD01-450	7	--	24	3	21	450
OECCDD01-600	7	--	24	3	18	600
OECCDD01-700	7	--	24	3	15	700

### Note:

1) Output Voltage  $\leq$  Input Voltage - 3V (depend on loading)



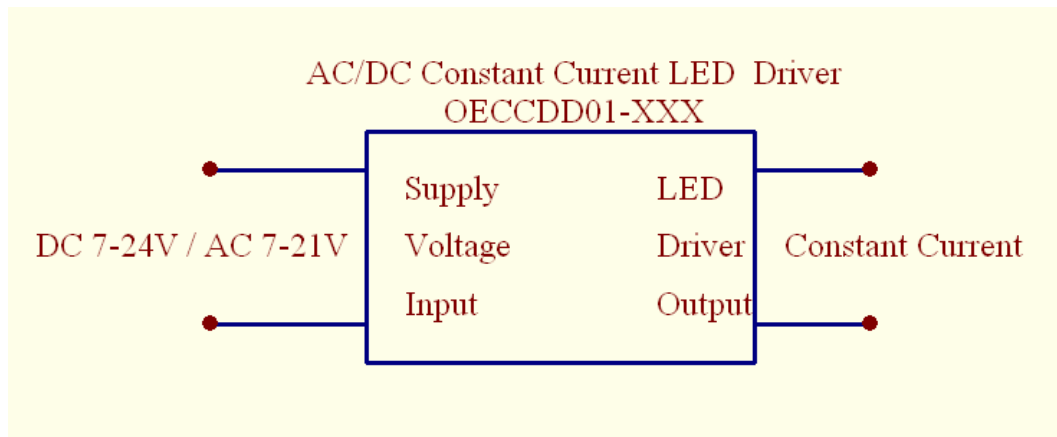
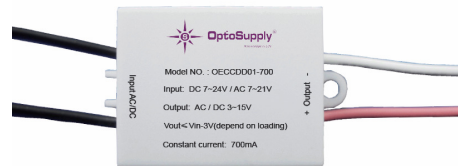
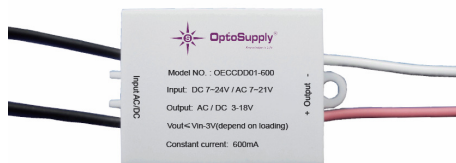
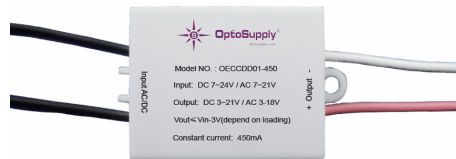
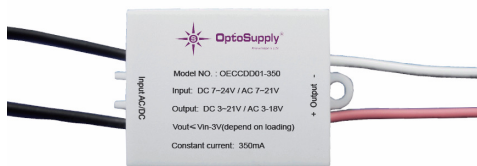
### Electrical Characteristics -- AC (@TA=25°C):

PN.	Input (V)			Output (V) ** Note1 **		Constant Current (mA)
	Min	Typ	Max	Min	Max	
OECCDD01-300	7	--	21	3	18	300
OECCDD01-350	7	--	21	3	18	350
OECCDD01-450	7	--	21	3	18	450
OECCDD01-600	7	--	21	3	18	600
OECCDD01-700	7	--	21	3	15	700

#### Note:

1) Output Voltage  $\leq$  Input Voltage - 3V

(depend on loading)



## X-ON Electronics

Largest Supplier of Electrical and Electronic Components

*Click to view similar products for [LED Power Supplies](#) category:*

*Click to view products by [Optosupply](#) manufacturer:*

Other Similar products are found below :

[ESS015W-1000-12](#) [EUC-075S105DT](#) [PDA-WIFI](#) [PIFC-K250F](#) [PITB-K222A](#) [ALD-514012PJ134](#) [LB240S24KH](#) [LMH020-SPLC-0000-0000001](#) [79534](#) [79535](#) [EUG-200S210DT](#) [ESS030W-1050-21](#) [ESS030W-0900-32](#) [BPOXL 4-12-035](#) [SLM160W-3.9-40-ZA](#) [ESS010W-0180-42](#) [ESS010W-0350-24](#) [ESS010W-0200-42](#) [PDA080B-1A0G](#) [PDA150B-S1A5G](#) [ZPS-20](#) [SLM140W-1.05-130-ZA](#) [ESS040W-1400-27](#) [ESS015W-0700-18](#) [ESS010E-0250-42](#) [EDC-100S105SV-0007](#) [79278](#) [EUD-150S350DVA](#) [LWA320-C420-ARK-B](#) [50304](#) [HVG-320-36AB](#) [HVG-320-54AB](#) [OT FIT 50/220-240/300 D L](#) [OT FIT 35/220-240/350 D CS L](#) [OT FIT 65/220-240/350 D CS L](#) [ELEMENT 30/220-240/700 S](#) [LC 75W 100-400MA 1-10V LP EXC](#) [LCA 35W 150-700MA ONE4ALL LP PRE](#) [LCA 50W 100-400MA ONE4ALL LP PRE](#) [LCA 50W 350-1050MA ONE4ALL LP PRE](#) [LCA 50W 350-1050MA 2XCH LP PRE](#) [LCI 150/325-1050/300 O4A SL PRE](#) [LCA 75W 100-400MA ONE4ALL LP PRE](#) [LCA 45W 500-1400MA ONE4ALL SC PRE](#) [LC 50W 100-400MA FLEXC LP EXC](#) [LCA 75W 350-1050MA ONE4ALL LP PRE](#) [LC 50W 350-1050MA FLEXC LP EXC](#) [LC 75W 350-1050MA FLEXC LP EXC](#) [LCA 75W 900-1800MA ONE4ALL LP PRE](#) [LCA 100W 250-700MA ONE4ALL LP PRE](#)