

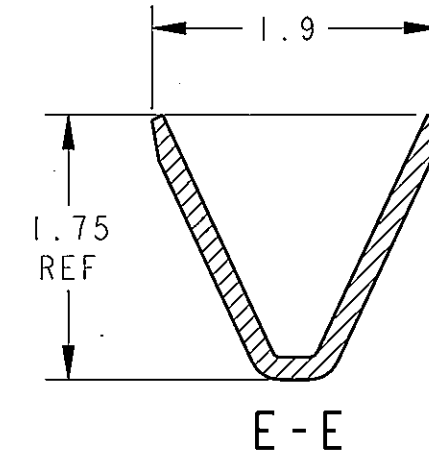
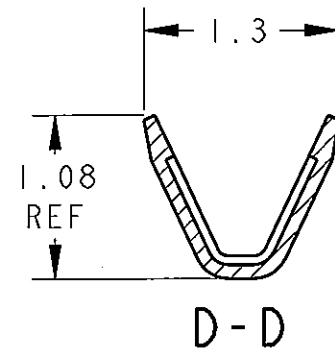
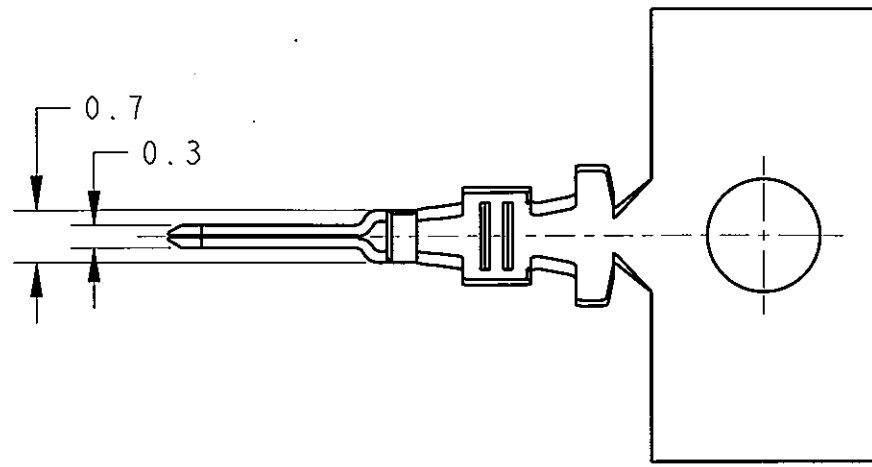
THIS DRAWING IS UNPUBLISHED.

RELEASED FOR PUBLICATION

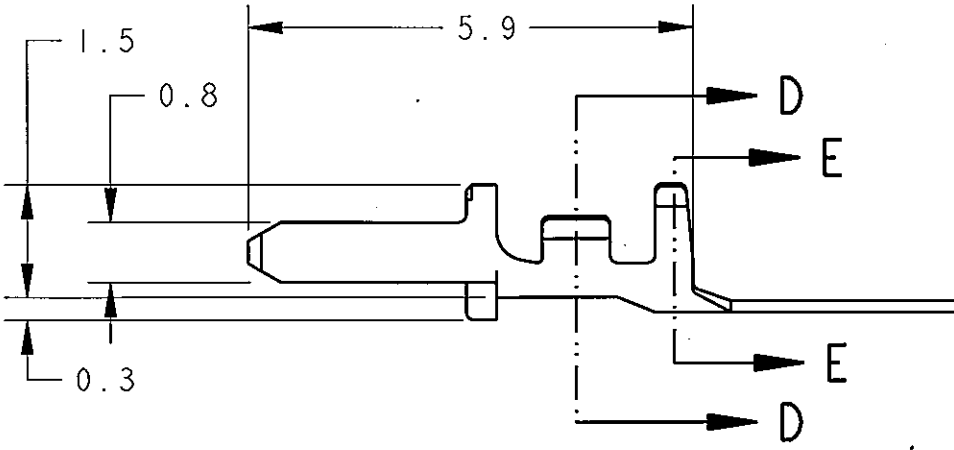
20

© COPYRIGHT 20 BY TYCO ELECTRONICS CORPORATION. ALL RIGHTS RESERVED.

LOC	DIST	REVISIONS			
P	LTR	DESCRIPTION	DATE	DWN	APVD
J	-	A	RELEASED	24SEP2008	H. U T. K
		B	REVISED	18DEC2008	H. U T. K
		C	REVISED	11MAY2010	H. U T. M



-2;本図
-2;AS SHOWN



- ① 材料;黄銅。
MATERIAL; Brass.
- ② 仕上げ;全面ニッケル下地めっき。
CONTACT AND CRIMP AREA; Au PLATING 0.2μm MIN.
- ③ AWG#26, AWG#28対応;
対応電線: UL1508 AWG#26
素線数/素線径: 7/0.16mm²
絶縁被覆径: φ0.73-φ0.82
対応電線: UL1508 AWG#28
素線数/素線径: 7/0.127mm²
絶縁被覆径: φ0.64-φ0.68
WIRE SIZE AWG#26, AWG#28;
APPLICABLE WIRES: UL1508 AWG#26
NUMBER OF CONDUCTORS/
DIAMETER OF A CONDUCTOR: 7/0.16mm²
INSULATION DIAMETER: φ0.73-φ0.82
APPLICABLE WIRES: UL1508 AWG#28
NUMBER OF CONDUCTORS/
DIAMETER OF A CONDUCTOR: 7/0.127mm²
INSULATION DIAMETER: φ0.64-φ0.68
- 4. 使用ハウジング: 2040974-*USE HOUSING P/N: 2040974-*

THIS DRAWING IS A CONTROLLED DOCUMENT FOR TYCO ELECTRONICS CORPORATION. IT IS SUBJECT TO CHANGE AND THE CONTROLLING ENGINEERING ORGANIZATION SHOULD BE CONTACTED FOR THE LATEST REVISION.

DIMENSIONS: 単位: 毫 mm	TOLERANCES UNLESS OTHERWISE SPECIFIED: 一般公差 ±0.2 0 PLC ± 1 PLC ±0.3 2 PLC ±0.1 3 PLC ±0.001 4 PLC ±0.0001 ANGLES ±3°	DWN H. URUSHIBATA 24SEP2008
		CHK T. KUDO 24SEP2008
		APVD S. MANABE 24SEP2008
		PRODUCT SPEC 製品規格 108-78573
MATERIAL 材料	FINISH 仕上	APPLICATION SPEC 取付適用規格 114-5441
		WEIGHT -
①		CUSTOMER DRAWING
②		SCALE 20:1

WIRE RANGE 適合電線断面積 0.089mm ² ~0.141mm ²		INSULATION DIA 被覆外径 ③	
Tyco Electronics Corporation Kawasaki, Japan			
NAME 名称 POST CONTACT 1.0VP REMODEL		RESTRICTED TO -	
SIZE A3	CAGE CODE 00779	DRAWING NO 番号 C-2040973	REV C

X-ON Electronics

Largest Supplier of Electrical and Electronic Components

Click to view similar products for IC & Component Sockets category:

Click to view products by TE Connectivity manufacturer:

Other Similar products are found below :

[714-43-102-31-012000](#) [0066-3-17-15-30-14-02-0](#) [0134-0-15-15-32-27-04-0](#) [614-DG5](#) [6527-0-00-15-00-00-03-0](#) [670](#) [672](#) [673](#) [712-93-120-41-001000](#) [714-93-104-31-018000](#) [8059-4G1-LF](#) [807-22-001-10-001101](#) [807-22-001-10-003101](#) [807-22-001-10-004101](#) [807-22-001-10-006101](#) [807-22-001-30-011101](#) [807-22-001-30-012101](#) [807-22-001-30-013101](#) [807-22-001-30-014101](#) [8-1437531-4](#) [8150-6P10](#) [833-93-034-10-001000](#) [835-43-014-10-001000](#) [851-41-006-10-001000](#) [851-43-008-20-001000](#) [851-43-014-20-001000](#) [851-93-006-20-001000](#) [851-93-010-20-001000](#) [852-10-026-10-001000](#) [853-43-020-10-001000](#) [86.010.0053.0](#) [116-43-306-41-003000](#) [116-43-308-41-007000](#) [116-87-308-41-007101](#) [PX-68LCC](#) [PX-84LCC](#) [121-13-318-41-001000](#) [121-13-320-41-001000](#) [121-13-308-41-001000](#) [123-43-314-41-801000](#) [123-43-420-41-001000](#) [123-43-636-41-001000](#) [123-87-320-41-001101](#) [122-13-316-41-001000](#) [123-13-624-41-001000](#) [123-43-306-41-001000](#) [123-43-322-41-801000](#) [123-43-428-41-001000](#) [123-43-624-41-001000](#) [12-3513-11](#)