

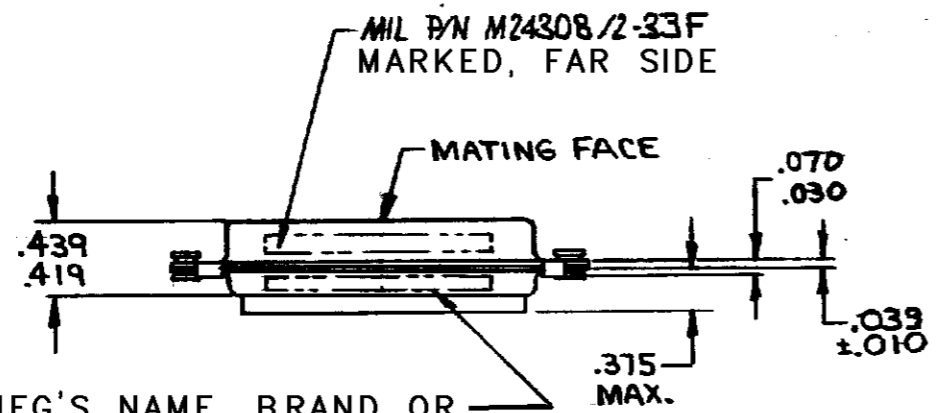
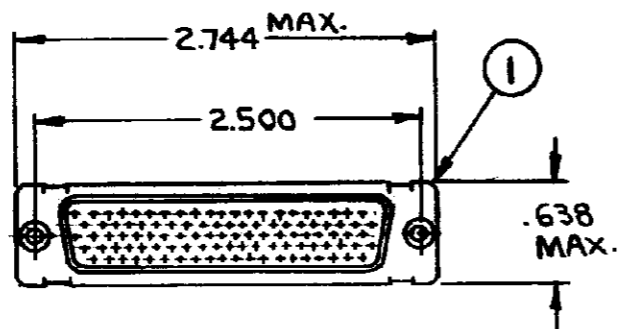
DRAWING MADE IN AMERICAN PROJECTION

© 1970 BY AMP INCORPORATED. ALL RIGHTS RESERVED. AMP PRODUCTS COVERED BY PATENTS AND/OR PATENTS PENDING.

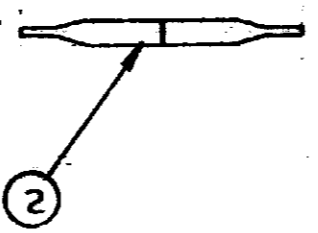
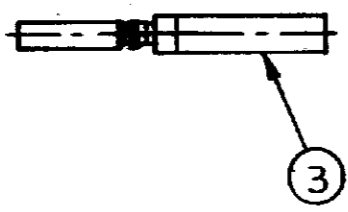
Reproduction of this drawing without permission of AMP is prohibited.

⚠ APPROPRIATE AMP P/N (KIT) IS MARKED ON PACKAGE

REVISIONS				
ZONE	LTR	DESCRIPTION	DATE	APPROVED
	A	REV. & REDRAWN, RELEASED WAS 5066-168 PER ECN A-962	12/29/70	Lm/88
		NOTES ADDED, ECN B-011	2/4/71	8/8
	B	REV. PER ECN B-948	5/11/73	Lm/97
	B	REV. PER ECN E-342	5/6/76	Lm/98
	C	REV. PER ECN G-047	2/8/79	D/S
	D	REV PER ECN DF-0021, DF-DKD R2620	7-13-78	EAM
	E	REV PER DF-2511	T.W. 1/87	AZ
	F	ECO-08-023688	PY 11-08	BW



MFG'S NAME, BRAND OR LOGO, MFG'S PART NO AND DATE CODE, MARKED FAR SIDE



SUPD BY 204546-2 5 9/06/71

<input checked="" type="checkbox"/>	-	-	MILITARY P/N M24308/2-44 MARKED ON PACKAGE	
<input checked="" type="checkbox"/>	-	-	MILITARY P/N M24308/2-33F MARKED ON PACKAGE	
3	2	1	B 204351-1 CONTACT, SOCKET, SIZE 22D	3
1	1	1	B 91067-1 INSERTION & EXTRACTION TOOL	2
1	1	1	A 204534-1 RECEPTACLE ASSY., SIZE #6	1
			NUMBER	NAME
				ITEM NO.

UNLESS OTHERWISE SPECIFIED DIMENSIONS ARE IN INCHES  
 TOLERANCES ON:  
 DECIMALS ± .015  
 ANGLES ± H

CONTRACT NO. 12-29-70  
 DR. J. M. Morrison  
 APPD. D. Baer 1-19-71  
 R. Holliday 1-19-71  
 DSGN APPD.

AMP INCORPORATED  
 HARRISBURG, PENNSYLVANIA

NAME: AMP  
 KIT, "HDD" SERIES, RECEPTACLE, SIZE #6

SIZE: B  
 CODE IDENT NO.: 00779  
 NUMBER: 204546  
 REV: F

SCALE: H  
 SHEET: 1 OF 1

## X-ON Electronics

Largest Supplier of Electrical and Electronic Components

*Click to view similar products for [D-Sub MIL Spec Connectors](#) category:*

*Click to view products by [TE Connectivity](#) manufacturer:*

Other Similar products are found below :

[M24308/4-13Z](#) [M8351307-B](#) [D38999/20FJ43HN](#) [D38999/24WG11PB-LC](#) [D38999/24WG41HN](#) [MDM-15PH041P](#) [MDM-21PH041P](#) [MDM-21SH003B-K139](#) [850-056-0812](#) [1218697-4](#) [DBMM25S](#) [MS27467T21F41S](#) [17D25HV](#) [1996840-1](#) [243082-15](#) [1663962-1](#) [1757682-1](#) [17D-E51218-1](#) [17SDA15S](#) [1883533-1](#) [1883886-1](#) [1883889-1](#) [192900-0377](#) [308-CP6P0441-024H](#) [M24308/2-3Z](#) [M24308/4-3Z](#) [M24308/4-4F](#) [M24308/4-4Z](#) [M24308/8-347](#) [M83513/03-E09C](#) [M83723/75W2212N L/C](#) [D38999/24FJ29PN-LC](#) [D38999/24WG11SB-LC](#) [MDM-21PH046P](#) [5-1218949-1](#) [550-031NF1R6K](#) [550E001NF1R3J0L](#) [550T001NF1R6K0L](#) [557T283NF5B08](#) [C115368-1612B](#) [C115370-1717B](#) [DC121073157](#) [443869-3](#) [443869-4](#) [443869-5](#) [550S004NF1R1B0F03](#) [550-031NF1R2E](#) [550E003M2R9J0F04](#) [550E003M3R9J0F05](#) [550E024M104R9J0](#)