

Smart Card Connectors with PCB Mount Wiping Contacts

Series C702E



with board locks, dip solder pins and self-cleaning switch Page 32



with board locks, dip solder pins, 3 mm stand-offs and self-cleaning switch Page 32



with board locks, dual plane, 2 x 8 contacts, dip solder pins and self-cleaning switch Page 33



with board locks, dip solder pins, 3 mm stand-offs, self-cleaning switch and card guide Page 33



with board locks, dip solder pins, self-cleaning switch and card guide Page 34



with board locks, dip solder pins, self-cleaning switch, "double decker" Page 34,35



Screw/Rivet mounting Page 36



with board locks and dip solder pins Page 36



with board locks, SMT and self-cleaning switch Page 37



with board locks, SMT, self-cleaning switch and card guide Page 37



with board locks, dip solder pins, self-cleaning switch and card guide Page 38

PCB Mount Wiping Contact Smart Card Connectors

Typical applications for Smart Card Connectors with wiping contacts and PCB mounting are set top boxes, toll road transponders, parking meters, utility metering systems, etc., where limited numbers of mating cycles are specified.

Design features

- Termination: dip solder pins or SMT
- self-cleaning card presence switch on most models detecting final card position
- special shape of wiping contacts minimize card scratching and wear
- Versions acc. to EMV (see page 6)
- dual plane version with 2 x 8 contacts for chip up & down card handling, suitable for applications with short dwell time of the card

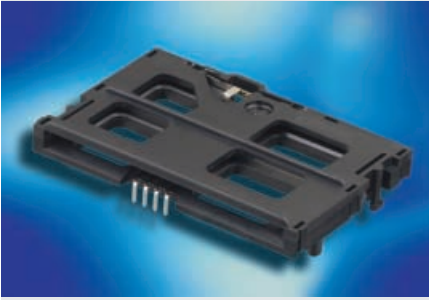


Assembly instructions:

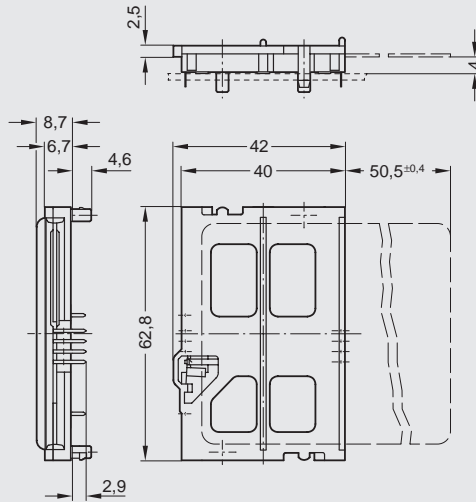
Soldering conditions

- wave soldering: 260 °C; 10 s max.
- infrared reflow 230 °C; 30 s max. (SMT versions only)

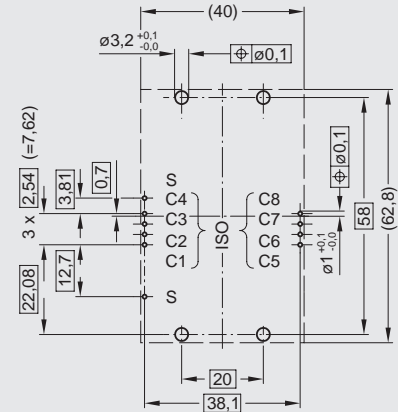
C702E Smart Card Connectors with PCB Mount Wiping Contacts



| Description | Contact position | Termination | Part No. |
|---|------------------|----------------|-------------------|
| with board lock and self-cleaning switch, acc. to EMV | ISO | Dip solder pin | C702 10M008 272 4 |



BESTÜCKUNGSSEITE / COMPONENTS SIDE

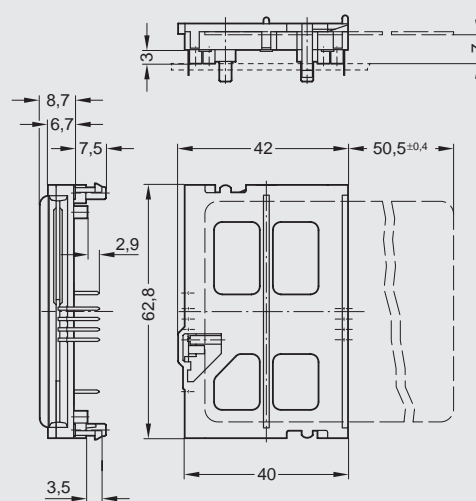


LEITERPLATTENDICKE / PCB THICKNESS = 1,4 - 1,68

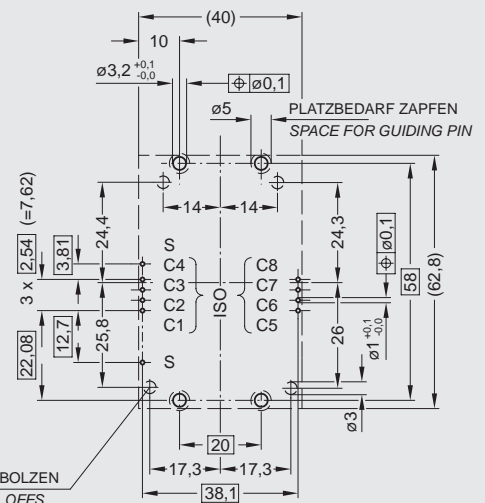
C702E Smart Card Connectors with PCB Mount Wiping Contacts



| Description | Contact position | Termination | Part No. |
|---|------------------|----------------|-------------------|
| with board lock and self-cleaning switch and 3 mm stand-offs, acc. to EMV | ISO | Dip solder pin | C702 10M008 255 4 |



BESTÜCKUNGSSEITE / COMPONENTS SIDE



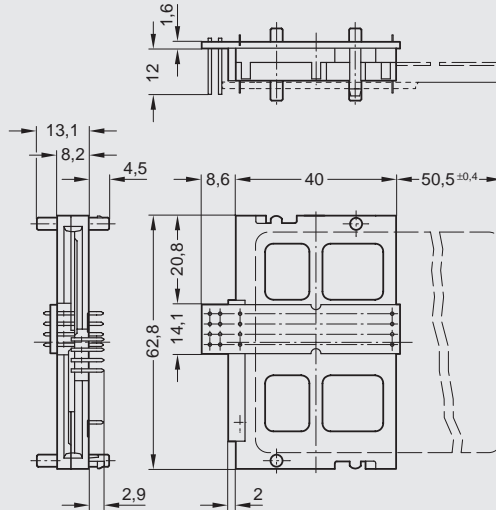
LAGE DER ABSTANDSBOLZEN
POSITION OF STAND - OFFS

LEITERPLATTENDICKE / PCB THICKNESS = 1,4 - 1,68

C702E Smart Card Connectors with PCB Mount Wiping Contacts

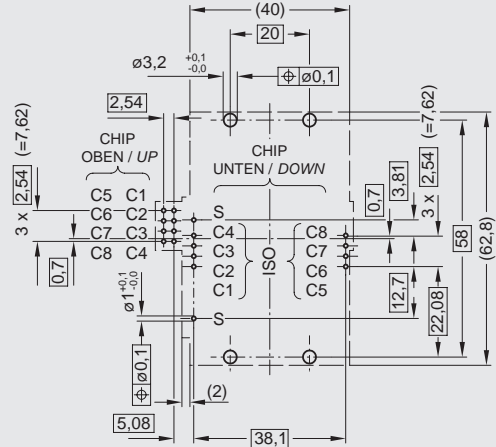


| Description | Contact position | Termination | Part No. |
|---|--|----------------|-------------------|
| with board lock and self-cleaning switch, dual plane, 2 x 8 contacts, acc. to EMV | ISO (Data contacts top and bottom side) | Dip solder pin | C702 10M008 271 4 |



Kondensator 0,1 μ F zwischen C1(VCC) und C5(GND) bei Kartenlage Chip oben
Capacitor 0,1 μ F between C1(VCC) and C5(GND) in card position chip up

BESTÜCKUNGSSEITE / COMPONENTS SIDE

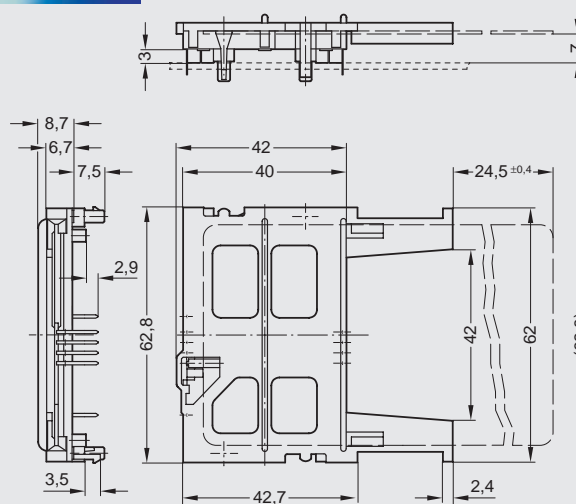


LEITERPLATTENDICKE / PCB THICKNESS = 1,4 ... 1,68

C702E Smart Card Connectors with PCB Mount Wiping Contacts

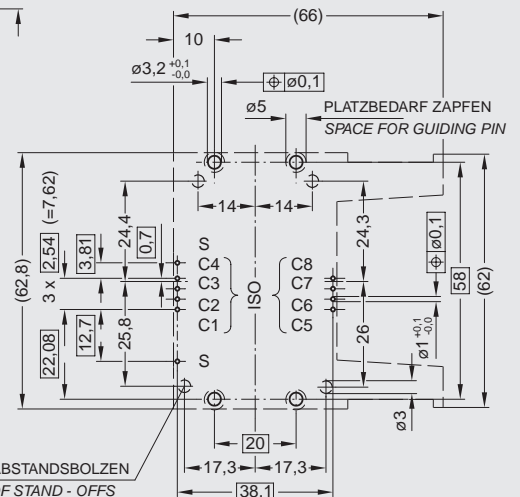


| Description | Contact position | Termination | Part No. |
|--|------------------|----------------|-------------------|
| with board lock, self-cleaning switch and card guide, 3 mm stand-offs, acc. to EMV | ISO | Dip solder pin | C702 10M008 283 4 |



LAGE DER ABSTANDSBOLZEN
POSITION OF STAND-OFFS

BESTÜCKUNGSSEITE / COMPONENTS SIDE

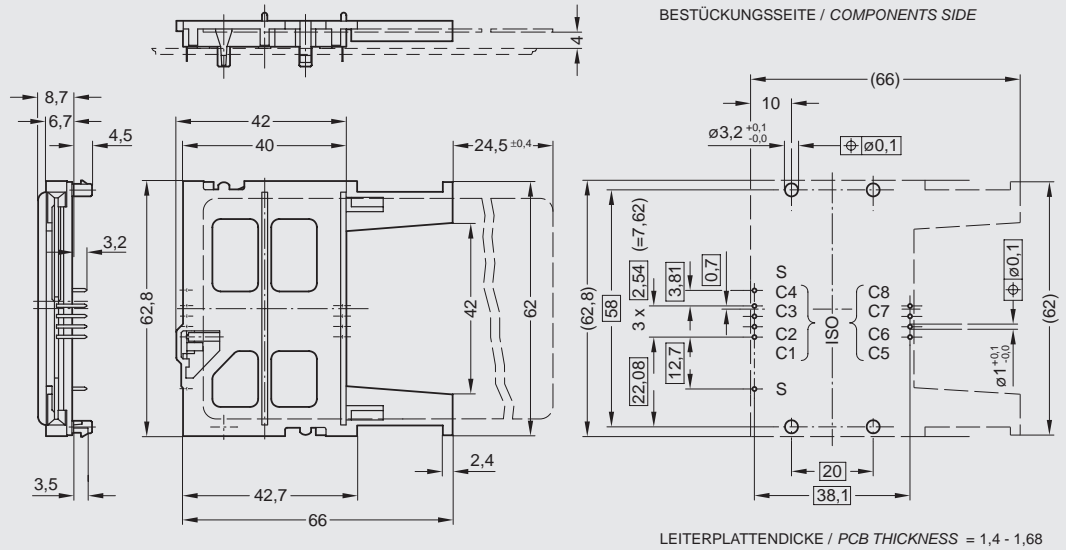


LEITERPLATTENDICKE / PCB THICKNESS = 1,4 - 1,68

C702E Smart Card Connectors with PCB Mount Wiping Contacts



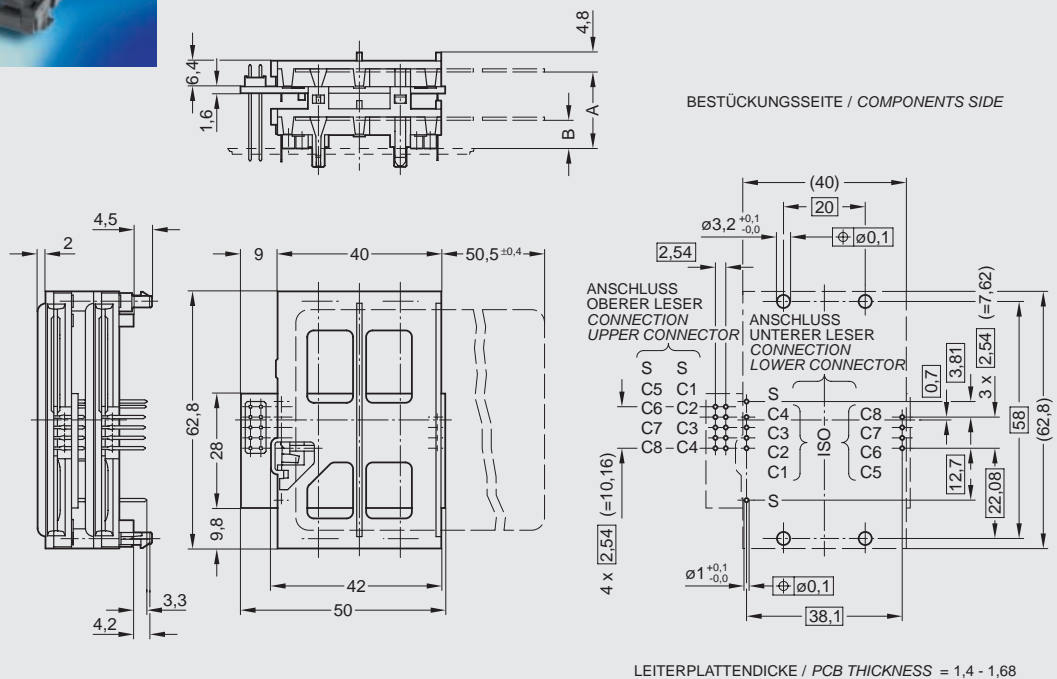
| Description | Contact position | Termination | Part No. |
|---|------------------|----------------|-------------------|
| with board lock, self-cleaning switch and card guide, acc. to EMV | ISO | Dip solder pin | C702 10M008 286 4 |



C702E Smart Card Connectors with PCB Mount Wiping Contacts



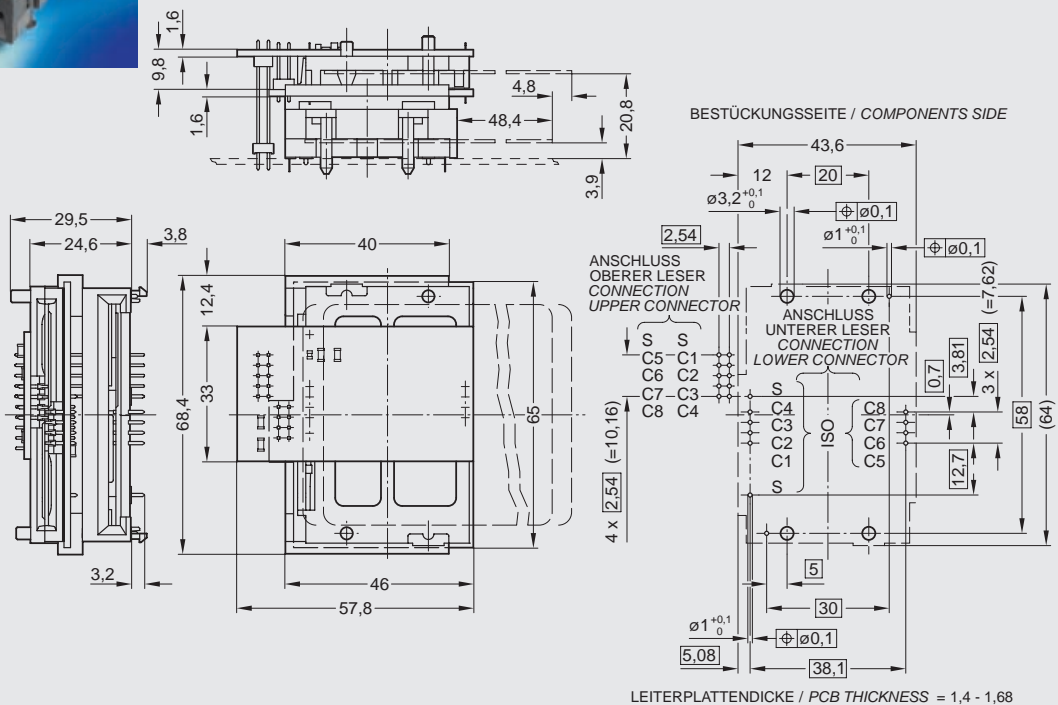
| Description | Contact position | Termination | stand off | dim. A | dim. B | Part No. |
|--|------------------|----------------|-----------|---------|--------|-------------------|
| double decker | ISO | Dip solder pin | - | 15.7 mm | 3.9 mm | C702 10M008 278 4 |
| with board lock and self cleaning switch | ISO | Dip solder pin | 3 mm | 18.7 mm | 6.9 mm | C702 10M008 279 4 |
| | ISO | Dip solder pin | - | 20.5 mm | 3.9 mm | C702 10M008 295 4 |



C702E Smart Card Connectors with PCB Mount Wiping Contacts



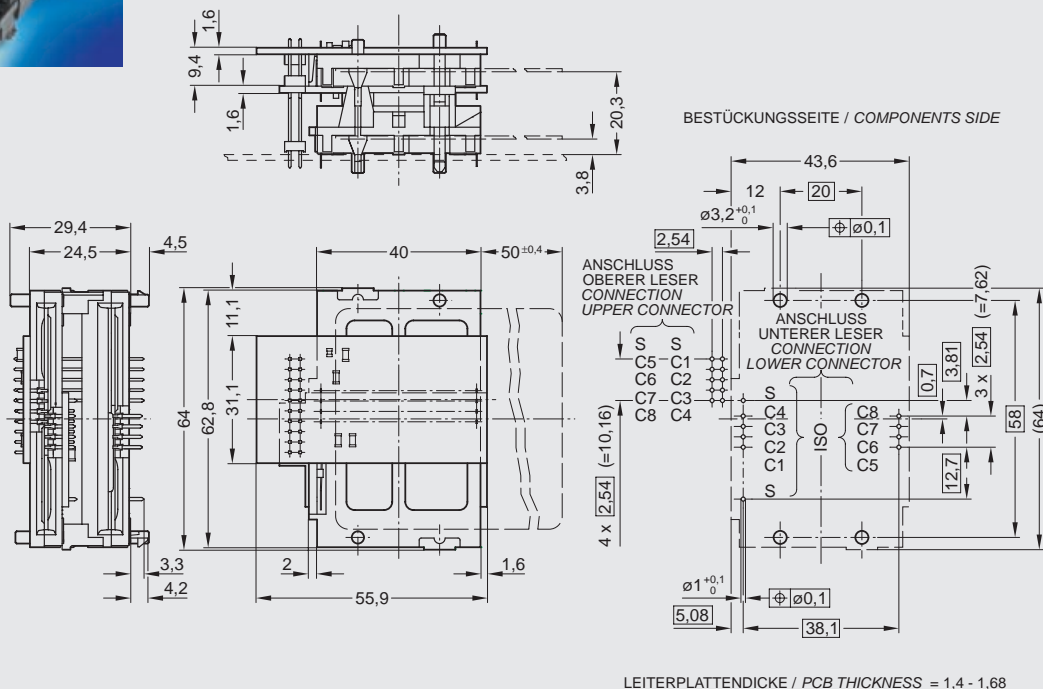
| Description | Contact position | Termination | Part No. |
|---|------------------|----------------|-------------------|
| double decker, with board lock and self cleaning switch, 5mm overhang, bottom part for double thickness cards, upper part, dual plan 2x8 contacts | ISO | Dip solder pin | C702 10M008 290 4 |



C702E Smart Card Connectors with PCB Mount Wiping Contacts



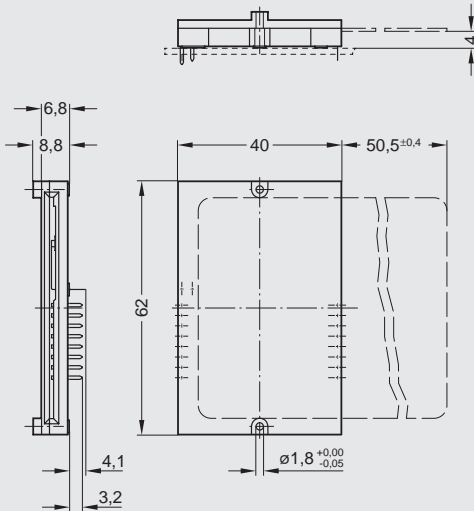
| Description | Contact position | Termination | Part No. |
|---|------------------|----------------|-------------------|
| double decker, with board lock and self cleaning switch, bottom part for double thickness cards, upper part, dual plan 2x8 contacts | ISO | Dip solder pin | C702 10M008 294 4 |



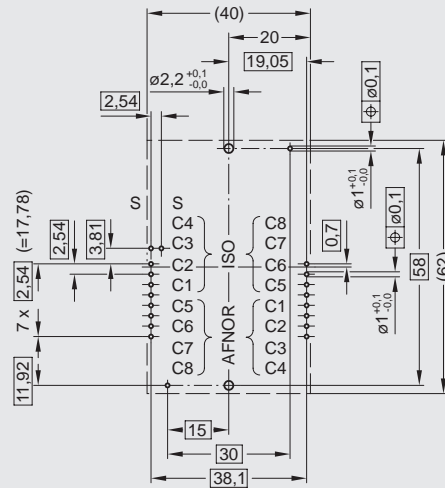
C702E Smart Card Connectors with PCB Mount Wiping Contacts



| Description | Contact position | Termination | Part No. |
|----------------|------------------|----------------|-------------------|
| Screw / | ISO | Dip solder pin | C702 10M008 201 4 |
| Rivet mounting | AFNOR | Dip solder pin | C702 10M008 202 4 |
| | ISO + AFNOR | Dip solder pin | C702 10M008 203 4 |



BESTÜCKUNGSSEITE / COMPONENTS SIDE

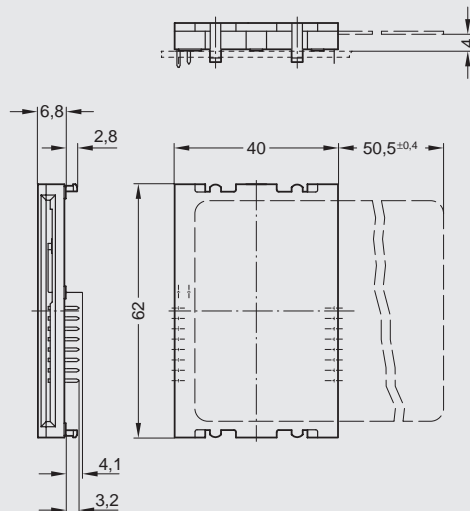


LEITERPLATTENDICKE / PCB THICKNESS = 1,6 ... 2,4

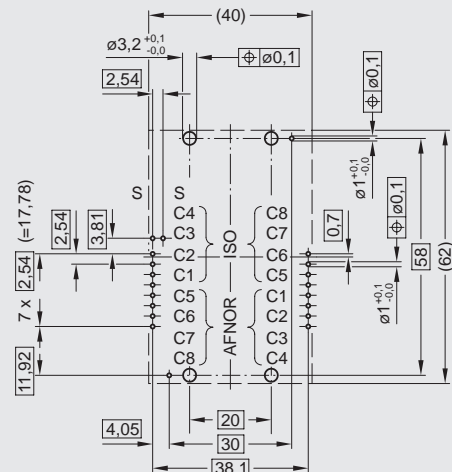
C702E Smart Card Connectors with PCB Mount Wiping Contacts



| Description | Contact position | Termination | Part No. |
|-----------------|------------------|----------------|-------------------|
| with board lock | ISO | Dip solder pin | C702 10M008 206 4 |
| | AFNOR | Dip solder pin | C702 10M008 207 4 |
| | ISO + AFNOR | Dip solder pin | C702 10M008 205 4 |



BESTÜCKUNGSSEITE / COMPONENTS SIDE

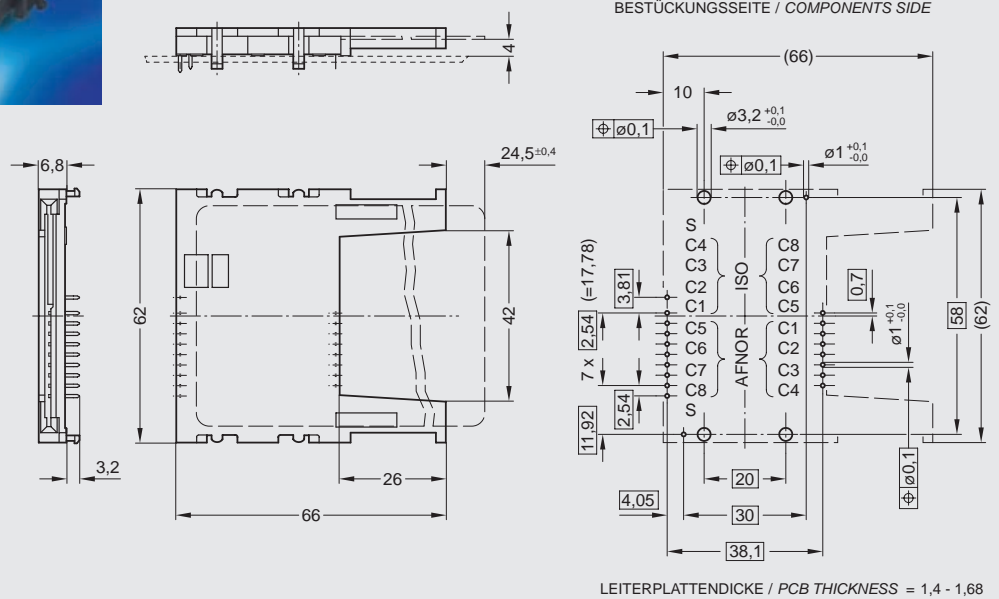


LEITERPLATTENDICKE / PCB THICKNESS = 1,4 ... 1,68

C702E Smart Card Connectors with PCB Mount Wiping Contacts



| Description | Contact position | Termination | Part No. |
|--|------------------|----------------|-------------------|
| with board lock, self-cleaning switch and card guide | ISO | Dip solder pin | C702 10M008 226 4 |
| | ISO + AFNOR | Dip solder pin | C702 10M008 235 4 |



C702E Technical Data

| Electrical Characteristics | Standard | Value |
|--|----------------------|--|
| Contact resistance without cable or flexprint | IEC 60512-2, Test 2a | Data contacts $\leq 30 \text{ m}\Omega$ Switch contacts $\leq 50 \text{ m}\Omega$ |
| Insulation resistance | IEC 60512-2, Test 3a | $\geq 10^9 \Omega$ |
| High voltage resistance | IEC 60512-2, Test 4a | 500 V _{AC} ; 1 min |

Climatical Characteristics

| | | |
|-----------------------|-------------|---------------------|
| Climatic category | IEC 60068-1 | 25 / 70 / 21 |
| Operating temperature | | - 25 °C ... + 70 °C |
| Storage temperature | | - 40 °C ... + 85 °C |

Mechanical Characteristics

| | | | |
|------------------------------|--|--|--|
| Card insertion force | IEC 60512-7, Test 13b | $\leq 5 \text{ N}$ | $\leq 12 \text{ N}$ at "dual plane" 2 x 8 contacts |
| Card extraction force | IEC 60512-7, Test 13b | $\geq 1 \text{ N}$ | |
| Mechanical lifetime | IEC 60512-5, Test 9a (without corrosion stress) | 100,000 mating cycles | |
| Vibration | IEC 60512-4, Test 6d | f = 10 ... 60 Hz 0,35 mm DA f = 60 ... 500 Hz a = 2.5 g 2 h / axis | |
| Shock, without disconnection | IEC 60512-4, Test 6c | $\leq 40 \text{ g}$; 11 ms; halfsine 3 shocks / direction in 3 axis | |
| Shock, without destruction | IEC 60512-4, Test 6c | 200 g; 6 ms; halfsine 2 shocks / direction in 3 axis | |
| Contact force | | 20 ... 50 cN | |

Switch

| | | |
|----------------------|---|---------------------|
| Card presence switch | | normally closed |
| Switch sequence | The card presence switch is activated after the data contacts have mated with the contact field and before the card reaches its final position. | |
| Chattering time | | $\leq 5 \text{ ms}$ |

X-ON Electronics

Largest Supplier of Electrical and Electronic Components

Click to view similar products for [amphenol manufacturer](#):

Other Similar products are found below :

[CTV06RGQF-17-52P](#) [CTVPS00RGF-23-6P-LC](#) [GC835TY2S](#) [CF-509621-29P](#) [BF8-1218-31SV-Y70](#) [TVP00RGW-23-6SA\(LC\)](#)
[RNJ27CI1535P014](#) [10-553998-139](#) [21-033388-031](#) [10-507142-843](#) [MS27473P14B18S](#) [GTC06G32-76PY-B30-LC](#) [GTC06G32-76PY-LC](#)
[GTC06G32-76PY](#) [GTC06G32-76P-B30-LC](#) [GTS06G-32-7S](#) [GTC06-36-78PX-023](#) [ACC02E28-51S-003-B30-LC](#) [TV06RL-13-35SD-LC](#)
[TV06RL-13-35SD](#) [TV06RL-13-98SD-LC](#) [TV06RL-13-98SD](#) [TV07RW-15-5BE](#) [AIB6-36-78PC-025](#) [GTC06G32-76PW-LC](#) [GTC06G32-](#)
[76PX-LC](#) [GTC06G32-76PZ-B30-LC](#) [GTC06G32-76PX-B30-LC](#) [GTC08AF32-15SX-B30-LC](#) [GTC06G32-76PZ](#) [GTC06G32-76PX](#)
[GTC030F14S-2S-025-B30](#) [TVP00RW-23-53AD](#) [TV07RW1597PE](#) [100-007-213-002-001](#) [5M30-61](#) [FSPP-103-00-004](#) [360031](#) [10-037090-](#)
[161](#) [10-541504-001](#) [10-580902-409](#) [TV97RW-9-9S\(S15\)](#) [TVPS00RGF-9-5P-LC](#) [TVPS00RGF-9-5PA-LC](#) [TVP00RGQW-21-75P-LC](#)
[TV06RW-25-90AE](#) [97-3108B16S-5PW-417](#) [PT06J20-24SW](#) [97-3108B16S-4PY-417](#) [97-3108B16S-4PX-417](#)