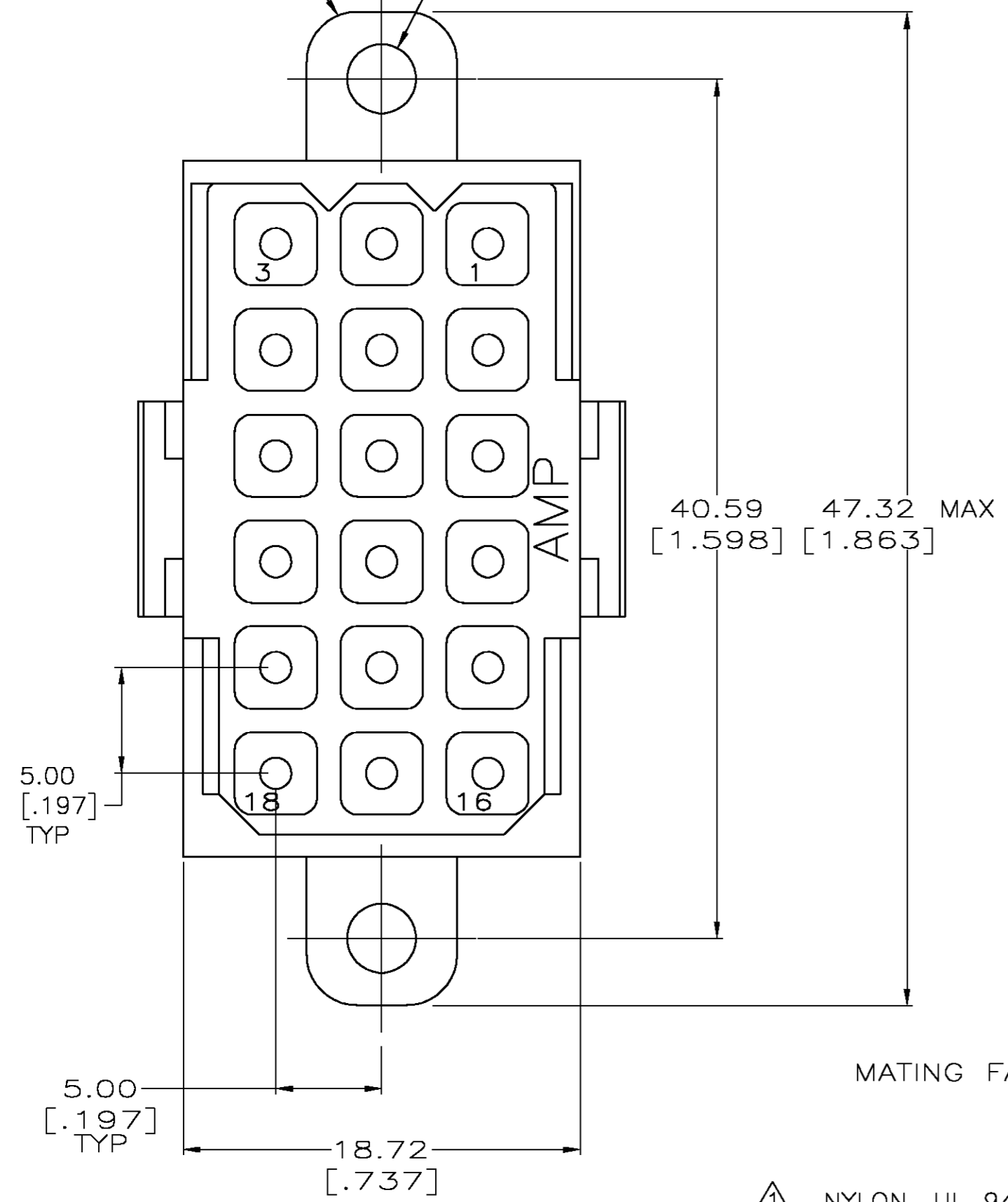


THIS DRAWING IS UNPUBLISHED. RELEASED FOR PUBLICATION
 © COPYRIGHT BY TYCO ELECTRONICS CORPORATION. ALL RIGHTS RESERVED.

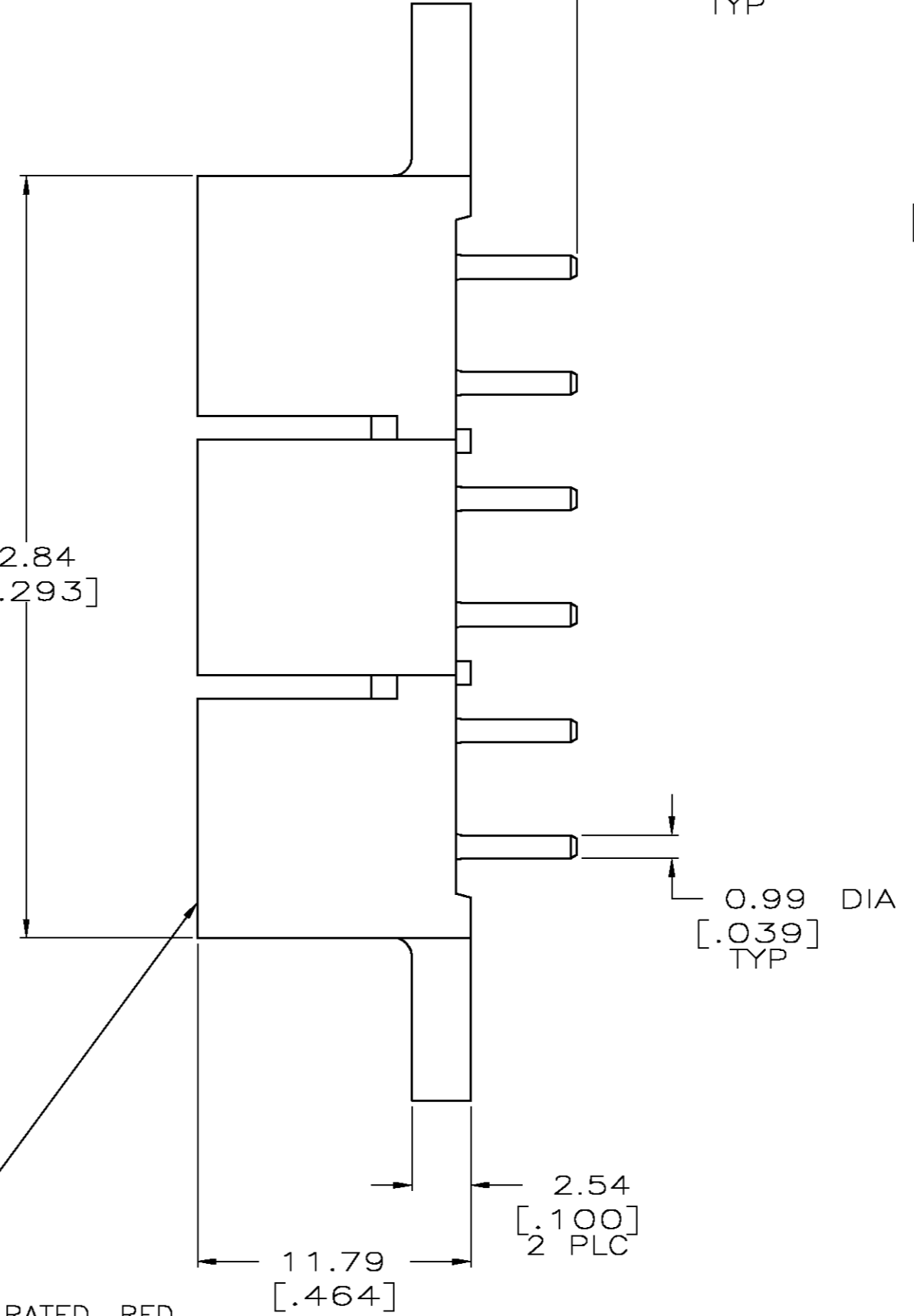
LOC	DIST	REVISIONS					
FT	0	P	LTR	DESCRIPTION	DATE	DWN	APVD
		L		REVISED PER 0G3B-0164-05	3/8/05	SS	GS

MOUNTING TAB
2 PLC
SEE TABLE

3.30±0.10 DIA
[.130±.004]
2 HOLES

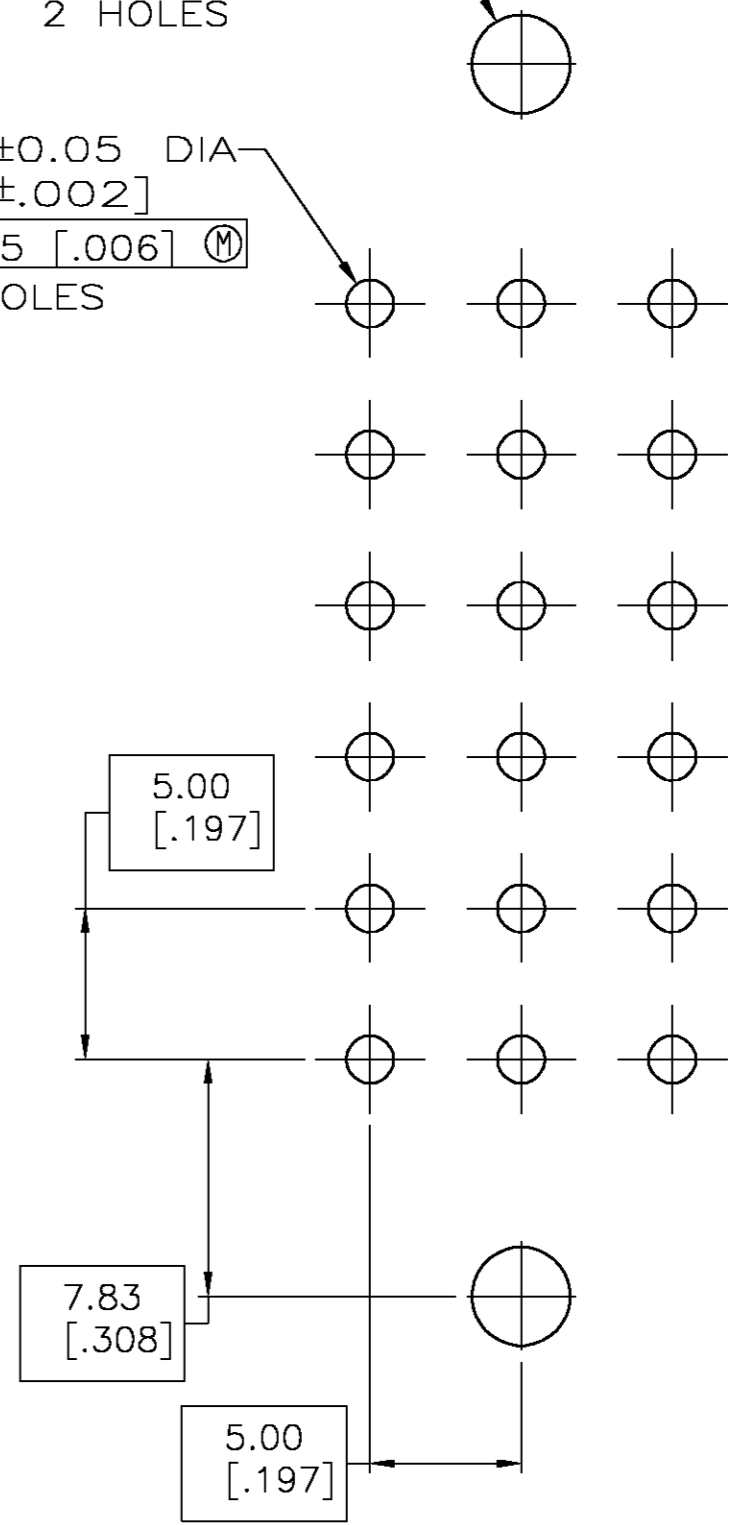


4.60±0.64
[.181±.025]
TYP



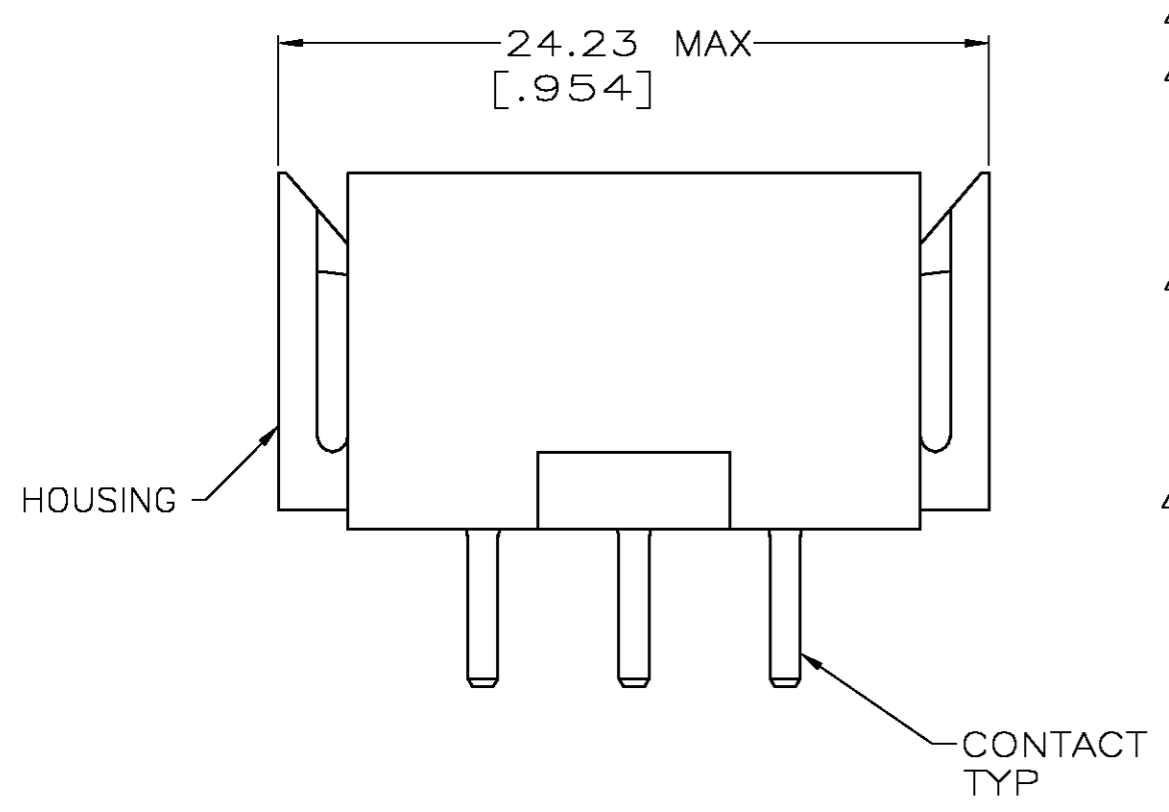
3.30±0.05 DIA
[.130±.002]
Ø 0.15 [.006] (M)
2 HOLES

1.60±0.05 DIA
[.063±.002]
Ø 0.15 [.006] (M)
18 HOLES



RECOMMENDED PC BOARD LAYOUT

- ① NYLON, UL 94V-0 RATED, RED.
- ② BRASS PER ASTM B36.
- ③ 3.81µm [.000150] MIN TIN OVER 2.54µm [.000100] MIN COPPER.
- ④ 0.76µm [.000030] MIN GOLD FOR A LENGTH OF 5.08 [.200] FROM MATING END, 3.81µm [.000150] MIN TIN-LEAD FOR A LENGTH OF 4.83 [.190] MIN FROM OPPOSITE END, BOTH OVER 1.27µm [.000050] MIN NICKEL.
- ⑤ 0.76µm [.000030] MIN GOLD FOR A LENGTH OF 5.08 [.200] FROM MATING END, 3.81µm [.000150] MIN LEAD FREE TIN FOR A LENGTH OF 4.83 [.190] MIN FROM OPPOSITE END, BOTH OVER 1.27µm [.000050] MIN NICKEL.
- ⑥ 3.81µm [.000150] MIN LEAD FREE TIN OVER 2.54µm [.000100] MIN COPPER.



REV	DESCRIPTION	DATE	BY	CHK	APVD
5	NO				
6	NO				
6	YES				
5	YES				
4	NO				
4	YES				
3	NO				
3	YES				

CONTACT FINISH	MOUNTING TABS	PART NUMBER
		1-207444-1
		1-207444-0
		207444-9
		207444-8
		207444-4
		207444-3
		207444-2
		207444-1

THIS DRAWING IS A CONTROLLED DOCUMENT.

DIMENSIONS: mm [INCHES]	TOLERANCES UNLESS OTHERWISE SPECIFIED: 0 PLC ± - 1 PLC ± - 2 PLC ± 0.25 [.010] 3 PLC ± - 4 PLC ± - ANGLES ± -	DWN L.SIPE 03/11/92 CHK R.STONE 3-17-92 APVD A.TRAVIS 3-17-92 PRODUCT SPEC 108-10033 APPLICATION SPEC -	NAME A.TRAVIS
MATERIAL HOUSING: 1	FINISH CONTACT: SEE TABLE	WEIGHT -	SIZE A2 CAGE CODE 00779 DRAWING NO C=207444 RESTRICTED TO -
CUSTOMER DRAWING		SCALE 4:1	SHEET 1 OF 1 REV L

tyco Electronics
Tyco Electronics Corporation
Harrisburg, Pa 17105-3608

PIN HEADER ASSEMBLY,
18 POSITION, METRIMATE

X-ON Electronics

Largest Supplier of Electrical and Electronic Components

Click to view similar products for [Headers & Wire Housings](#) category:

Click to view products by [TE Connectivity](#) manufacturer:

Other Similar products are found below :

[95000-104TRLF](#) [10135584-644402LF](#) [DF62W-EP2022PCA](#) [95000-106TRLF](#) [DF62W-2022SCA](#) [DF62W-EP2022PC](#) [2203348](#) [DF62W-2022SC](#) [1084018](#) [1029039](#) [1084017](#) [802-10-012-10-002000](#) [1112640](#) [1112639](#) [891-007-9SS-BST1T](#) [000-34000](#) [0008550134](#) [0009482033](#) [0009507031](#) [57102-F02-18ULF](#) [57102-S06-03LF](#) [57202-S52-04LF](#) [PCN6-15S-2.5E](#) [0039019024](#) [58102-G61-06LF](#) [582553-1](#) [0009485154](#) [0009508121](#) [0022285053](#) [0050291907](#) [018731A](#) [LY20-4P-DT1-P1E-BR](#) [02.125.8002.8](#) [60101931](#) [60598-1 \(Cut Strip\)](#) [M1625-3R/100](#) [61062-3](#) [61082-181009](#) [CSU011177004](#) [636-1427](#) [638009-1](#) [641938-9](#) [641991-4](#) [644168-1](#) [644827-2](#) [647662-1](#) [65039-019ELF](#) [65692-001LF](#) [65781-018](#) [65781-047](#)