

Max. 67 m³/h

DC axial fans

□ 60 x 25 mm



- **Material:** Housing: GRP¹⁾ (PBT)
Impeller: GRP¹⁾ (PA)
 - **Direction of air flow:** Exhaust over struts
 - **Direction of rotation:** Clockwise, looking towards rotor
 - **Connection:** Via single wires AWG 22, TR 64
 - **Highlights:** Very low-noise motor
 - **Weight:** 85 g
- **Possible special versions:** (See chapter DC fans - specials)
 - Speed signal
 - Go / NoGo alarm
 - Alarm with speed limit
 - External temperature sensor
 - Internal temperature sensor
 - PWM control input
 - Analog control input
 - Moisture protection

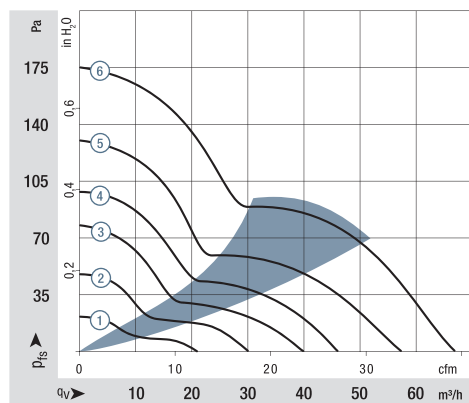
1) Fiberglass-reinforced plastic

Series 620

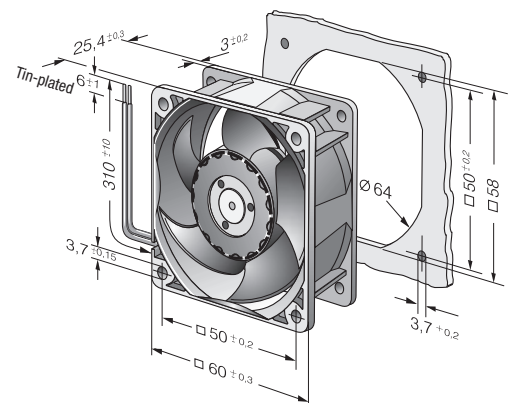
Nominal data

Type	Air flow		Nominal voltage	Voltage range	Sound pressure level	Sound power level	Sinter sleeve bearings Ball bearings	Power consumption	Nominal speed	Temperature range	Service life L ₁₀ (40 °C) ebm-papst standard	Service life L ₁₀ (T _{max}) ebm-papst standard	Life expectancy L ₁₀ (IPC (40 °C) see page 17	Curve
	m ³ /hcfm	VDC												
622 L	21	12.4	12	8...15	20	3.7	■	0.5	3 200	-20...+85	80 000 / 20 000	135 000	135 000	①
622 M	30	17.7	12	8...15	29	4.3	■	1.0	4 550	-20...+75	77 500 / 30 000	130 000	130 000	②
622 N	40	23.5	12	8...15	35	4.7	■	1.9	6 100	-20...+70	72 500 / 35 000	122 500	122 500	③
622 H	46	27.1	12	8...15	39	5.1	■	2.3	6 850	-20...+70	70 000 / 35 000	117 500	117 500	④
622 HH	56	33.0	12	8...15	43	5.6	■	3.5	8 200	-20...+70	65 000 / 32 500	110 000	110 000	⑤
622/2 H3P	67	39.4	12	8...13.2	48	5.9	■	5.5	9 700	-20...+60	52 500 / 32 500	87 500	87 500	⑥
624 L	21	12.4	24	18...28	20	3.7	■	1.0	3 200	-20...+70	80 000 / 40 000	135 000	135 000	①
624 M	30	17.7	24	12...28	29	4.3	■	1.5	4 550	-20...+70	77 500 / 37 500	130 000	130 000	②
624 N	40	23.5	24	12...28	35	4.7	■	2.2	6 100	-20...+70	72 500 / 35 000	122 500	122 500	③
624 H	46	27.1	24	18...28	39	5.1	■	2.4	6 850	-20...+70	70 000 / 35 000	117 500	117 500	④
624 HH	56	33.0	24	18...28	43	5.6	■	3.6	8 200	-20...+70	65 000 / 32 500	110 000	110 000	⑤
624/2 H3P	67	39.4	24	18...28	48	5.9	■	5.6	9 700	-20...+60	52 500 / 32 500	87 500	87 500	⑥
628 HH	56	33.0	48	36...60	43	5.6	■	4.2	8 200	-20...+70	65 000 / 32 500	110 000	110 000	⑤

Subject to change



Air performance measured according to: ISO 5801.
Installation category A, without contact protection.
Noise: Total sound power level L_{WA} ISO 103002 measured on a hemisphere with a radius of 2 m.
Sound pressure level L_{pA} measured at 1 m distance from fan axis.
The values given are applicable only under the specified measuring conditions and may differ depending on the installation conditions.
In the event of deviation from the standard configuration, the parameters must be checked after installation!
For detailed information see <http://www.ebmpapst.com/general-conditions>



X-ON Electronics

Largest Supplier of Electrical and Electronic Components

Click to view similar products for [DC Fans](#) category:

Click to view products by [ebm papst](#) manufacturer:

Other Similar products are found below :

[614R](#) [6424/2HP-210](#) [8312R](#) [DV4118/2NP-183](#) [AFB0948HH-S687](#) [PFB0824DHE-8B72](#) [G2E085-AA05-10](#) [RD20S-4/210660](#) [4318/12T](#)
[4418HH](#) [AUB0912H-F00](#) [3412N/2ME](#) [K2E225-RA92-09](#) [4184N/2XR](#) [5214N2HH](#) [614J2HHPR-010](#) [8412NGL-12](#) [4114N/12HHR-297](#)
[4656](#) [ZWR-903](#) [4112N12GL-175](#) [KD2406PKB2.\(2\).GN](#) [AFB1248HHE](#) [AFB1212LE-F00](#) [FAN-SCH-1](#) [MF60151V1-1000U-G99](#)
[PF80252V1-1000U-G99](#) [PF92252V1-1000U-G99](#) [4112N/2H6P](#) [4114N/17-251](#) [6212NH](#) [622/2N](#) [712F-011](#) [8218J/2NP-181](#) [W1G180-AB47-](#)
[15](#) [FAA1-12038NBKW31-A](#) [6318N/2TDP](#) [6318N/2H3PU](#) [6318HU](#) [424JMU](#) [PMD1206PTVX-A.U.GN](#) [PF80251B2-000U-F99](#)
[EF40101BX-1000U-G99](#) [AD1224LB-A71GL](#) [9GA0924L4021](#) [9GA0924M4021](#) [9GA0924M4011](#) [9GA0824B20011](#) [9GA0812A2D0011](#)
[9GA0912M4D011](#) [9GA0924W4D01](#)